



# Stoneridge™

60" x 36" alcove shower base, right drain  
**K-44154**

## Features

- Honed surface provides improved slip resistance (tested in accordance with DIN EN 16165:2023-02 Annex A)
- Three-sided integral flange
- Color-matched drain cover
- Complements traditional and contemporary bathroom designs
- Allows for quick and easy mortarless installation
- Contains more than 60% natural stone

## Material

- KOHLER® engineered stone

## Installation

- Alcove
- Right drain
- For residential and hospitality use

## Recommended Products/Accessories

K-9132 Shower Drain



## Codes/Standards

CSA B45.5/IAPMO Z124  
ASTM E162  
ASTM E662

## KOHLER® Plastic Baths and Shower Bases Lifetime Limited Warranty

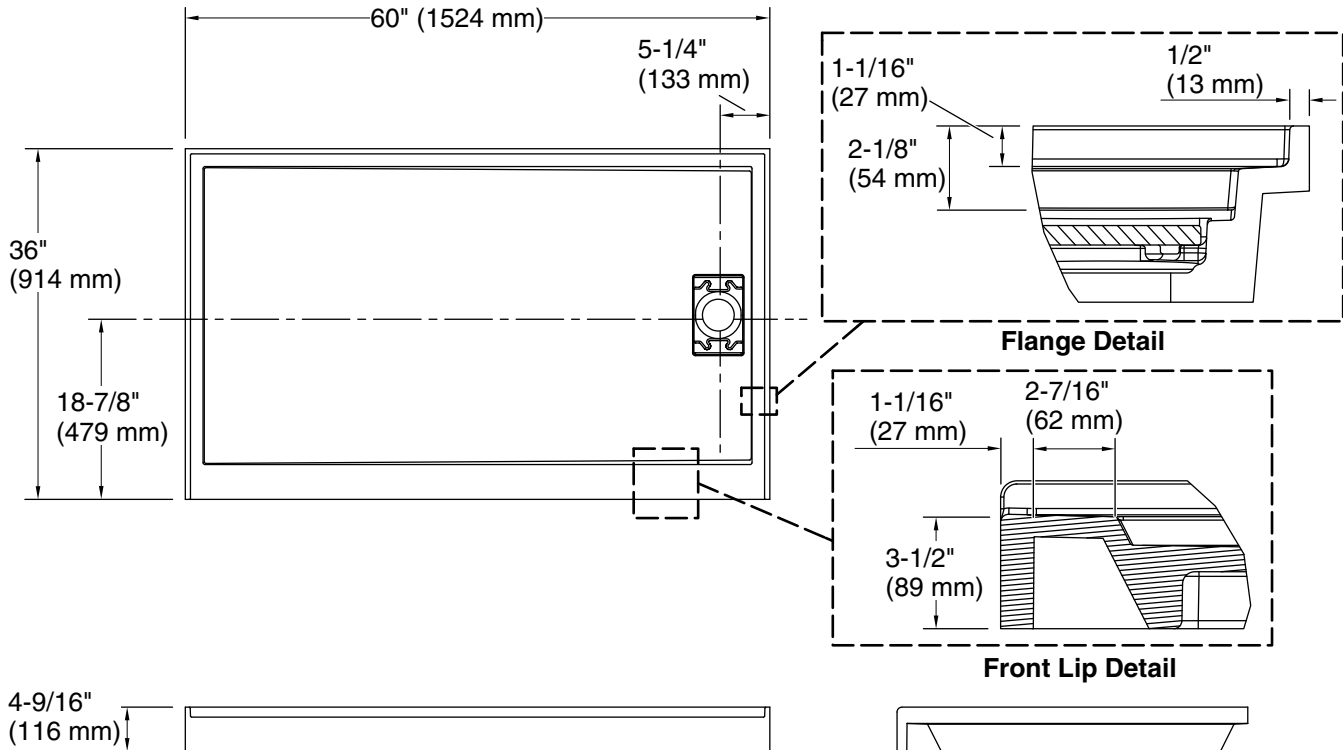
See website for detailed warranty information.

## Available Colors/Finishes

*Color tiles intended for reference only.*

Color	Code	Description
-------	------	-------------

	HW1	Honed White
---	-----	-------------



### Technical Information

All product dimensions are nominal.

Drain location: Right

Weight: 200 lbs (90.7 kg)

### Notes

Measure your actual product for rough-in details.

Install this product according to the installation instructions.