



Underscore®
60" x 32" alcove bath, left drain
K-20202-ZZ

Features

- Convenient 19" step-over height retains the same depth as a standard 21" bath
- Integral apron creates a clean, finished look
- Integral lumbar support
- Textured bottom surface

Material

- Acrylic

Installation

- Alcove
- Integral flange
- Left drain

Recommended Products/Accessories

- K-23726 Drain treatment
- K-23732 Tub & shower cleaner
- K-7259 Brass toe tap bath drain



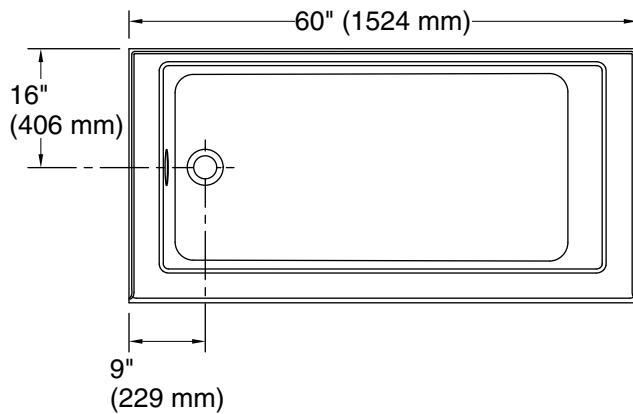
ADA

Codes/Standards

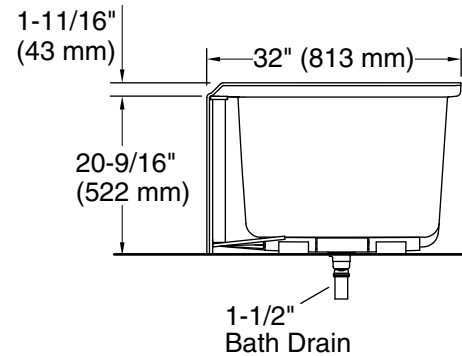
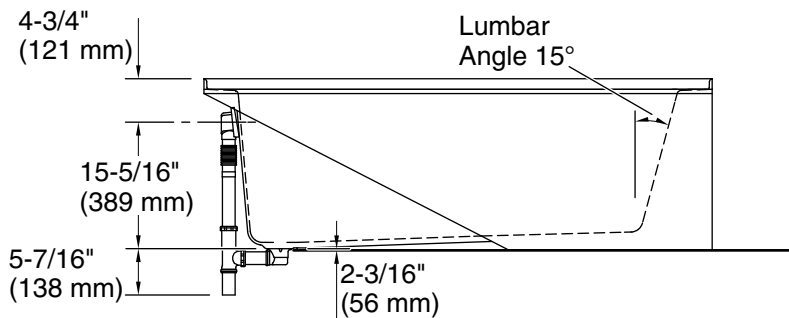
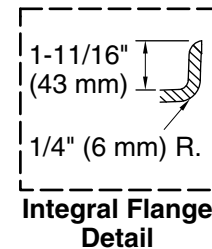
- CSA B45.5/IAPMO Z124
- ASTM E162
- ASTM E662
- ADA
- ICC/ANSI A117.1
- IAPMO Certification

**KOHLER® Plastic Baths and Shower
Bases Lifetime Limited Warranty**

See website for detailed warranty information.



No change in measurements if connected with drain illustrated. (K-7259)



Technical Information

All product dimensions are nominal.

Drain location:	Left
Basin area, bottom:	46-1/4" x 22" (1175 mm x 559 mm)
Basin area, top:	52" x 24" (1321 mm x 610 mm)
Weight:	100 lbs (45.4 kg)
Minimum floor load:	56 lbs/ft ² (273.4 kg/m ²)
Water depth:	15-1/2" (394 mm)
Water capacity:	68 gal (257.4 L)
Minimum flat for door:	2-13/16" (72 mm)

Notes

Measure your actual product for rough-in details.

Install this product according to the installation instructions.

The hot water supply should be 70% of the capacity of the bath or greater. Installations will vary.

ADA compliant when installed to the specific requirements of these regulations.