

80 Boiler Assembly

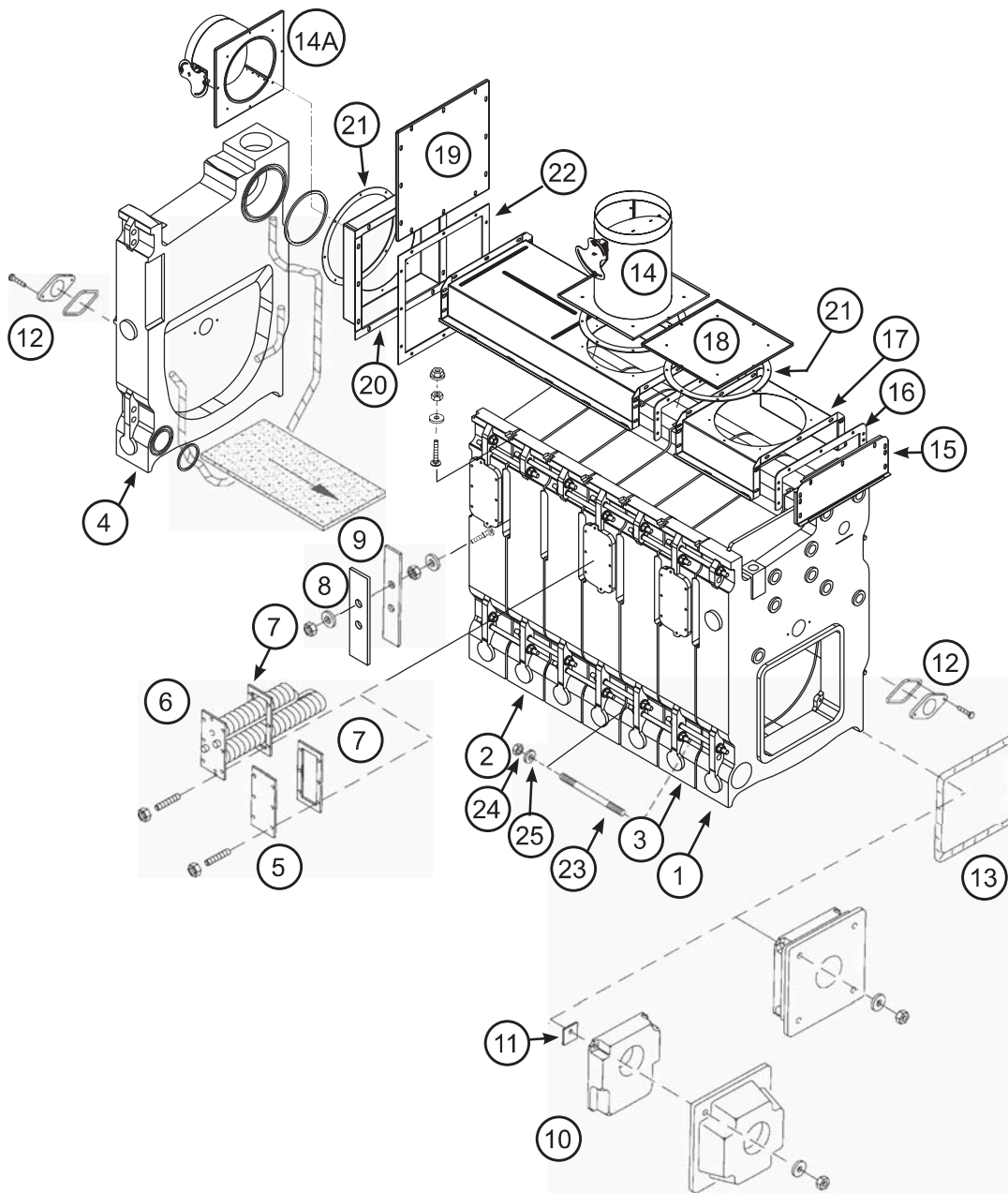


Fig. No.	Part No.	Description
1	315-700-100	Front Section 8013
2	315-700-120	Intermediate Section, Regular 8015
	315-700-130	Intermediate Section With Special Side Tappings 8017
	315-700-150	Intermediate Section, Supply (Steam Boilers) 8014
3	315-700-140	Intermediate Section, Tankless 8016
4	315-700-110	Back Section 8018
N/S	385-800-205	Section Assembly Kit
5	385-700-200	Heater Cover Plate Carton (Includes: Cover Plate, Gasket, Studs, Nuts)
6	590-921-917	Tankless Heater Carton (Includes: Tankless Heater, Gasket, Studs, Nuts)
7	590-317-550	Heater Gasket

80 Boiler Assembly

N/S	385-800-205	Kit Service Section Assembly										
8	450-030-928	Cleanout Plate										
9	590-317-303	Cleanout Plate Gasket										
10	591-000-070	Burner Mounting Plate, Front Refractory 4½" Burner Opening										
	591-000-072	Burner Mounting Plate, Front Refractory 6½" Burner Opening										
11	562-650-105	Refractory Retainer Clip										
12	385-600-099	Observation Port Assembly (Includes: Observation Port Assembly, Sealing Rope, Screws)										
13	590-735-254	Sealing Rope ½" x 10' Packaged										
N/S	385-700-220	Combustion Chamber Kit (Includes: Back Refractory Blanket, Bottom Refractory Blanket, Adhesive, Sealing Rope, Sealing Rope Adhesive)										
14	425-800-090	Flue Damper Assembly, Top Flue Boilers – 8" For 380-680										
	425-800-091	Flue Damper Assembly, Top Flue Boilers – 10" For 780-1180										
	425-800-092	Flue Damper Assembly, Top Flue Boilers – 12" For 1280										
14A	425-800-096	Flue Damper Assembly, Rear Flue Boilers – 8" For 380-680										
	425-800-097	Flue Damper Assembly, Rear Flue Boilers – 10" For 780-1180										
	425-800-098	Flue Damper Assembly, Rear Flue Boilers – 12" For 1280										
N/S	385-800-215	Flue Collector Hood Hardware Kit (Includes: Flue Collector Hardware Plus Collector Hood Gasket Kit, Below)										
15	463-000-003	Flue Collector Hood End Cap										
N/S	385-800-218	Collector Hood Gasket Kit (Includes: (2) Flue Collector Hood Gasket, (3) Circular Collector Hood Gaskets, (1) Rectangle Collector Hood Gasket, Flat-Stitched Sealing Rope, Double-Faced Tape)										
16	Included In Gasket Kit	Flue Collector Hood Gasket										
With Below Collector Hoods A Collector Hood Gasket Kit 385-800-218 Is Needed			Quantity Required To Make a Boiler									
			3	4	5	6	7	8	9	10	11	12
17	450-020-300	80 Collector Hood - A	1				1	1				
	450-020-301	80 Collector Hood - B		1								
	450-020-302	80 Collector Hood - C			1		1		2	1	1	
	450-020-303	80 Collector Hood - D				1		1		1		1
	450-020-304	80 Collector Hood - E									1	1
18	Included In	Flue Cap										
19	Flue Damper Assembly	Flue Cap Rear										
20		Rear Flue Transition Gasket										
21	Included In Gasket Kit	Circular Collector Hood Gasket										
22	Included In Gasket Kit	Rectangular Collector Hood Gasket										
N/S	592-800-008	7½" Top Elastomer Seal										
	592-800-009	3½" Bottom Elastomer Seal										
23	560-134-495	⅝" x 11" Draw Rod (4 Per Joint)										
24	561-928-224	⅝" HEX Nut (2 Per Draw Rod)										
25	562-248-710	⅝" Washer (1 Per Draw Rod)										

GAS/OIL

80 Boiler Water Trim

Part No.	Description	Mfr.	Mfr.'s Part No.	Boiler Size
383-600-091	ASME Pressure Relief Valve, Set To Relieve At 30 PSIG, 3/4" N.P.T. Female Inlet, Brass, 3/4" Female Side Outlet, Rated At 510,000 BTUH	Watts	M330	3, 4
	ASME Pressure Relief Valve, Set To Relieve At 30 PSIG, 3/4" N.P.T. Female Inlet, Brass, 3/4" Female Side Outlet, Rated At 510,000 BTUH	Conbraco	10-408-05	3, 4
383-600-063	ASME Pressure Relief Valve, Set To Relieve At 30 PSIG, 3/4" N.P.T. Female Inlet, Brass, 3/4" Female Side Outlet, Rated At 925,000 BTUH	Watts	740	5, 6, 7, 8
383-600-092	ASME Pressure Relief Valve, Set To Relieve At 30 PSIG, 1" N.P.T. Female Inlet, Brass, 1/4" Female Side Outlet, Rated At 1,300,000 BTUH	Watts	740	9, 10, 11
383-600-093	ASME Pressure Relief Valve, Set To Relieve At 30 PSIG, 1 1/4" N.P.T. Female Inlet, Brass, 1 1/2" Female Side Outlet, Rated At 2,105,000 BTUH	Watts	740	12
510-218-099	Combination Pressure Temperature Gauge, 2 1/2" Dia. Dial, 0-70 PSIG, 60-320°F Short Shank, Back Connection, 1/4" N.P.T.			All
				All
510-312-065	Combination High Limit/Low Limit Control, High Limit: 140-240°F Low Limit: 140-240°F With 5-35°F Adjustable Differential: Low Limit Must Be Set 20°F Below High Limit, Less Well	White-Rodgers	11C30-3	All
	Combination High Limit/Low Limit Control, High Limit: 140-240°F Low Limit: 140-240°F With 5-35°F Adjustable Differential: Low Limit Must Be Set 20°F Below High Limit, Less Well	Honeywell	L4081A-1189	All
590-921-917	Tankless Heater (Includes: Heater, Gasket, Nuts and Studs)	Heat Controller	78-34	
560-340-577	Stud 3/8"-16" NC-2A x 1.12 Long With 3/8"-16" NC Brass Nut			
590-317-550	Gasket Tankless Heater Cover Plate 5 1/4" x 10"			
592-300-006	Well, 3/4" N.P.T			All

80 Boiler Steam Trim



Fig. No.	Part No.	Description	Mfr.	Mfr.'s Part No.	Boiler Size
N/S	383-600-105	Steam Relief Valve, Set To Relieve At 15 PSIG, 3/4" N.P.T. Inlet, 3/4" Side Outlet, 450 Lbs./Hr. Steam Capacity	Watts	415	3, 4
		Steam Relief Valve, Set To Relieve At 15 PSIG, 3/4" N.P.T. Inlet, 3/4" Side Outlet, 450 Lbs/Hr Steam Capacity	Conbraco	13-211-08	
	383-600-107	Steam Relief Valve, Set To Relieve At 15 PSIG, 1" N.P.T. Inlet, 1" Side Outlet, 643 Lbs/Hr Steam Capacity	Conbraco	13-202-08	5, 6
	383-600-108	Steam Relief Valve, Set To Relieve At 15 PSIG, 1 1/4" N.P.T. Inlet, 1 1/2" Side Outlet, 1200 Lbs/Hr Steam Capacity	Conbraco	13-213-08	7, 8, 9, 10
	383-600-109	Steam Relief Valve, Set To Relieve At 15 PSIG, 1 1/2" N.P.T. Inlet, 2" Side Outlet, 1900 Lbs/Hr Steam Capacity	Conbraco	13-214-08	11, 12
	511-312-135	Steam Pressure Control, Cut In 0-9 PSI, Additive Differential 0 To 5 PSI, 1/4" N.P.T. Connection	Honeywell	PA404A-1009	All
1	510-218-100	Combination Pressure Vacuum Gauge, 0-30 PSIG, 0-30"Hg., 4 1/2" Dial, 1/4" N.P.T. Bottom Connection	U.S. Gauge	C500-5549	All
2	510-218-145	Water Gauge Class Cock Set, 1/2" N.P.T. Male inlet	Conbraco	21-205-03W	All
N/S	383-600-002	Gauge Glass, 10 5/8" Long x 5/8" Diameter With Gaskets	Weil-McLain		All
	563-334-595	Gauge Glass Guards, Includes 2-12 1/2" Long x 3/16" Diameter Guards	Weil-McLain		All
	590-921-917	Tankless Heater (Includes: Heater, Gasket, Nuts And Studs)	Heat Controller	78-34	
	560-340-577	Stud 3/8-16" NC-2A x 1.12 Long With 3/8-16" NC Brass Nut			
	590-317-550	Gasket Tankless Heater Cover Plate 5 1/4" x 10"			