

### Features

- Single cross handle controls both on/off activation and temperature setting
- MasterClean™ sprayface features an easy-to-clean surface that withstands mineral buildup and maximizes spray performance
- Includes single-function 2.5 gpm (9.5 lpm) showerhead with Katalyst® air-induction technology
- Pressure-balancing diaphragm technology maintains outlet temperature within +/-3°F during water pressure fluctuations
- Antiscald protection
- Includes faceplate, shower arm with flange, and ADA-compliant metal cross handle
- Coordinates with Margaux faucets, accessories, and showering components to complete your bathroom
- THIS NEW K-TS16234-3 TRIM REPLACES THE EXISTING K-T16234-3 TRIM. THE NEW TRIM IS IDENTICAL AND INCLUDES TRIM ADAPTER KITS FOR BOTH RITE-TEMP K-304/K-2971 HIFLOW AND THE NEW K-8304 SERIES VALVE

### Material

- KOHLER® finishes resist corrosion and tarnishing
- Premium material construction for durability and reliability

### Installation

- Bath- or deck-mount
- Trim only; requires valve to complete installation (sold separately)

### Required Products/Accessories

K-8304 Series Rite-Temp® Valve & Cartridge Kits

or

K-8300 Series Rite-Temp® Valve Body Rough-ins

K-8305 Series Rite-Temp® Cartridges

### Recommended Products/Accessories

K-23723 Faucet cleaner

### Optional Products/Accessories

K-10350 Deep rough-in kit

K-10351 Test cap for K-8300 Series valve bodies



### Codes/Standards

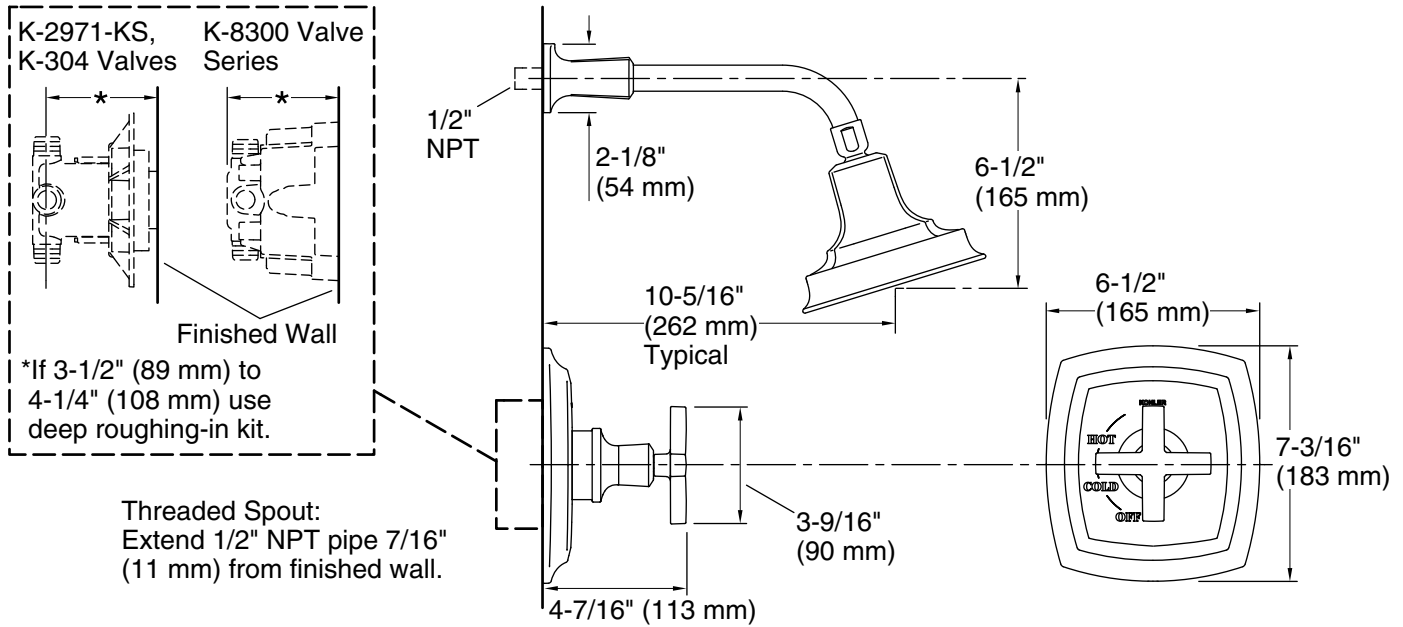
ASME A112.18.1/CSA B125.1

DOE - Energy Policy Act 1992

IAPMO Certification

### KOHLER® Faucet Lifetime Limited Warranty

See website for detailed warranty information.



**Technical Information**

All product dimensions are nominal.

Drain included:            No

**Showerhead/Body Spray:**

Rated maximum            2.5 gal/min (9.5 l/min)  
flow:

Pressure:                    80 psi (5.5 bar)

**Notes**

Install the product according to the installation guide.

NOTICE: Risk of product damage. Long screws, for installing trim, can damage the K-2971-KS valve. Consult the trim installation guide to verify if the thin wall installation kit (88526) is needed.