



# Derring® Carillon® Rectangle Wading Pool®

Vessel bathroom sink  
**K-17916-RL**

## Features

- Rectangular basin with carved textural pattern.
- Artisanal glazes are easy to care for and durable.
- Neutral hues complement a wide range of fixtures and faucets.
- Natural glaze variations make each sink unique yet beautifully complementary when paired side-by-side.
- Wading pool design accommodates a wide variety of faucets.
- No faucet holes; requires wall- or counter-mount faucet.

## Material

- Vitreous china.

## Installation

- Vessel.

## Recommended Products/Accessories

- K-23726 Drain treatment
- K-23725 Cast iron cleaner



**ADA** **CSA B651**

## Codes/Standards


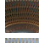

ASME A112.19.2/CSA B45.1  
ADA  
ICC/ANSI A117.1  
CSA B651

## KOHLER® One-Year Limited Warranty

See website for detailed warranty information.

## Available Colors/Finishes

*Color tiles intended for reference only.*

Color	Code	Description
	K8	Translucent White
	RB2	Bourbon Rutile
	RB3	Bluestone Rutile

1-800-4KOHLER (1-800-456-4537)

Kohler Co. reserves the right to make revisions without notice to product specifications.

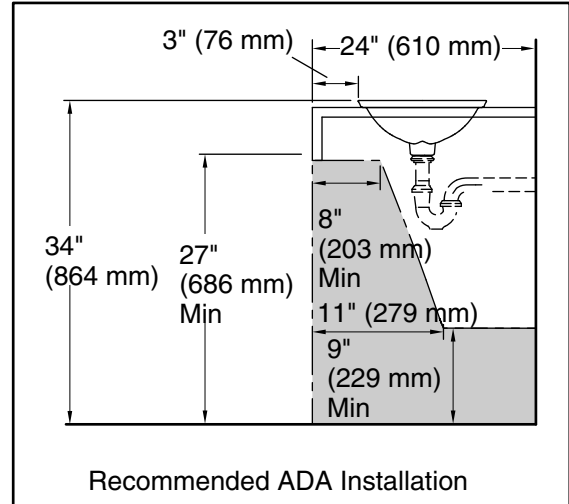
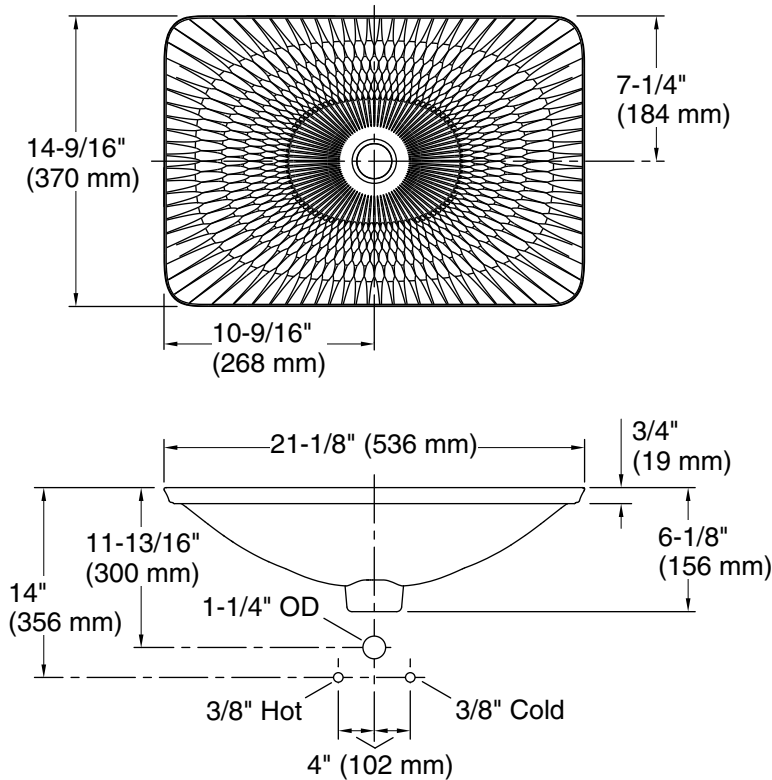
For the most current Specification Sheet, go to [www.kohler.com](http://www.kohler.com).

5-14-2022 23:55 - US/CA

THE BOLD LOOK  
OF **KOHLER**®



# Derring® Carillon® Rectangle Wading Pool® Vessel bathroom sink K-17916-RL



## Technical Information

All product dimensions are nominal.

Bowl configuration:	Single
Installation:	Drop-in, Vessel
Bowl area (Only):	Length: 21-1/8" (536 mm) Width: 14-9/16" (370 mm) Bowl depth: 4-1/8" (105 mm) Water depth: 4-1/8" (105 mm)
Template:	1242828, required, included

## Notes

Install this product according to the installation instructions.

NOTICE: Countertop manufacturer or cutter must use the current product template available at [www.kohler.com](http://www.kohler.com), or by calling 1-800-4KOHLER. Kohler Co. is not responsible for cutout errors when the incorrect cutout template is used.

ADA, CSA B651 compliant when installed to the specific requirements of these regulations.