



Replacement parts

Figure 96 Miscellaneous parts

| Description | Model | Weil-McLain part number |
|--|--------------|--|
| Vent Termination Kit for 3" PVC | All | 383-500-397 |
| Vent Termination Kit for 3" Stainless Steel | All | 382-200-430 |
| Vent Termination Bird Screen 3" PVC (1 piece) | All | 383-500-105 |
| Concentric Vent 3" PVC Kit | All | 383-500-350 |
| Adapter 3-inch AL29-4C Vent Starter, FasNSeal | All | 560-907-717 |
| Adapter 3-inch AL29-4C Vent Starter, Z-Vent | All | 560-907-723 |
| Adapter 3-inch AL29-4C Vent Starter, Saf-T-Vent | All | 560-907-724 |
| Adapter 3-inch AL29-4C Vent Starter, CORR/GUARD | All | Contact WM Technologies |
| Chemicals: Antifreeze, aluminum-safe, Sentinel X500 Corrosion inhibitor, Sentinel X100 Sentinel X100 Inhibitor Test Kit Cleaner, Sentinel X400 | All | 592-900-006 592-900-002 592-900-005 592-900-003 |
| Condensate neutralizer kit | All | 383-500-631 |
| GV90+ Maintenance kit, Includes Ignitor, Ignitor shield, Ignitor hardware, Circulator flange gasket (qty 2), Blower gasket, Inspection port gasket, Starter Tee gasket and the Recuperator vent pipe seal. | All | 382-200-750 |
| Oil Lubricant 1.7 Oz. Anderol 465 (Only necessary on non-sealed bearing blowers) | – | 592-900-036 |



Replacement parts (continued)

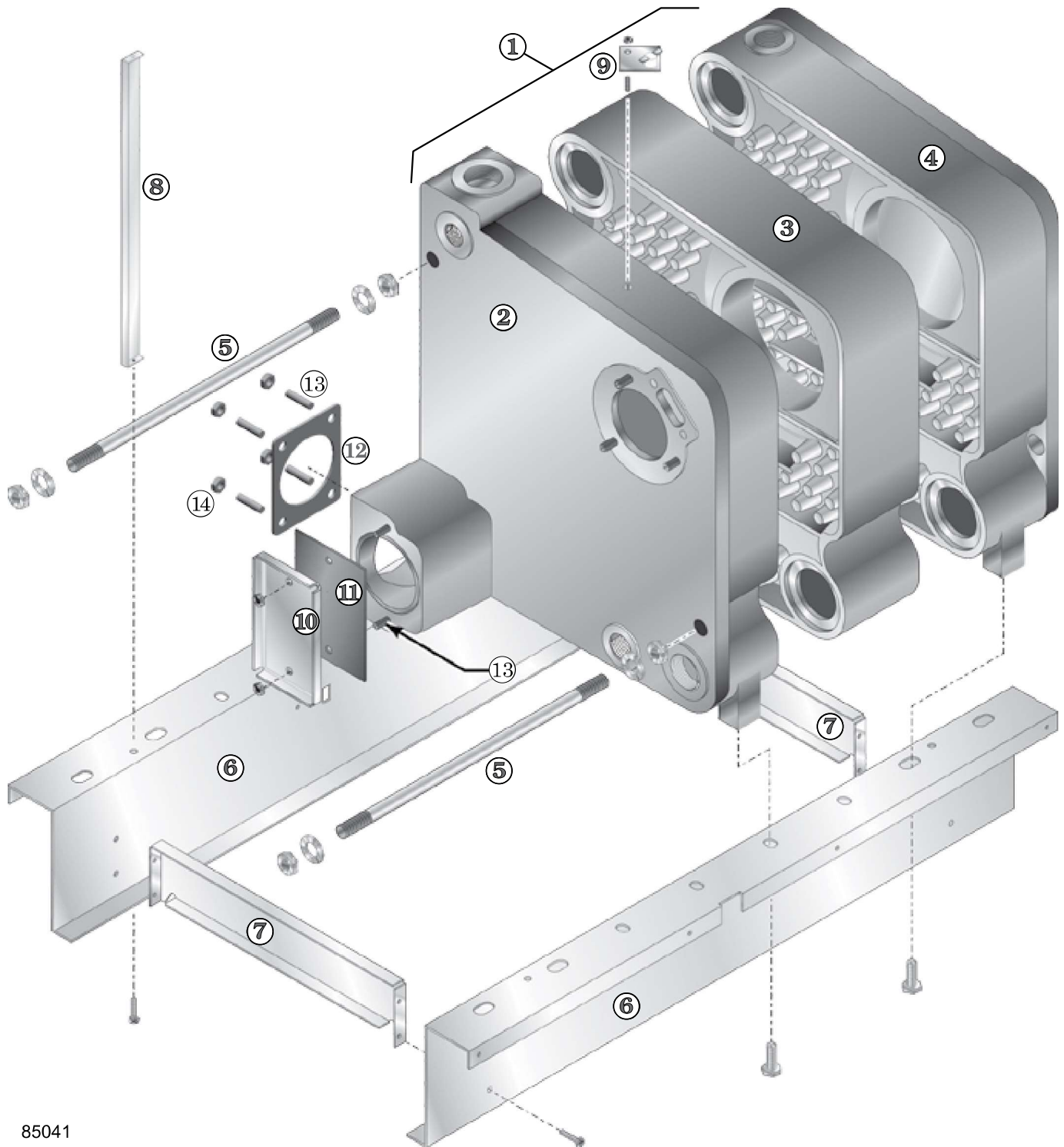
Figure 97 Section assembly

| Item number | Description | Model | Weil-McLain part number |
|-------------|--|------------------|--|
| 1 | Block assembly, includes: Front section, intermediate section, back section, square cut seals — 2", silicone sealant, tie rods, tie rod nuts, tie rod washers, blower flange gasket, igniter, igniter gasket, screws, lock washers, studs, nuts | 3 4 5 6 | 322-200-304 322-200-305 322-200-306 322-200-307 |
| 2 | Front section replacement kit, includes front section, square cut seals (4), silicone sealant, blower flange gasket, igniter gasket, studs (13), nuts (13) | All | 382-200-713 |
| 3 | Intermediate section (also required Section replacement kit) | All | 312-200-110 |
| 4 | Back section (also required Section replacement kit) | All | 312-200-130 |
| Not shown | Section replacement kit | All | 382-200-305 |
| 5 | Tie rods | 3 4 5 6 | 560-234-499 560-234-525 560-234-503 560-234-504 |
| 6 | Base rail legs — (2) per boiler | 3 & 4 5 & 6 | 452-100-173 452-100-174 |
| 7 | Base rail brace — (2) per boiler | All | 452-100-080 |
| 8 | Blower housing support | All | 452-100-111 |
| 9 | Block temperature limit switch | All | 382-200-375 |
| 10 | Inspection port cover | All | In Insp. port kit |
| 11 | Inspection port gasket | All | 590-317-628 |
| — | Inspection port kit (includes cover and gasket) | All | 542-200-181 |
| 12 | Recuperator connection gasket | All | 590-317-653 |
| 13 | Stud, 5/16" – 18 x 1¼" Long | All | 560-340-581 |
| 14 | Hex nuts (4 each), 5/16" / lock washers (4 each), 5/16" | All | Obtain locally |



Replacement parts (continued)

Figure 98 Section assembly



85041



Replacement parts (continued)

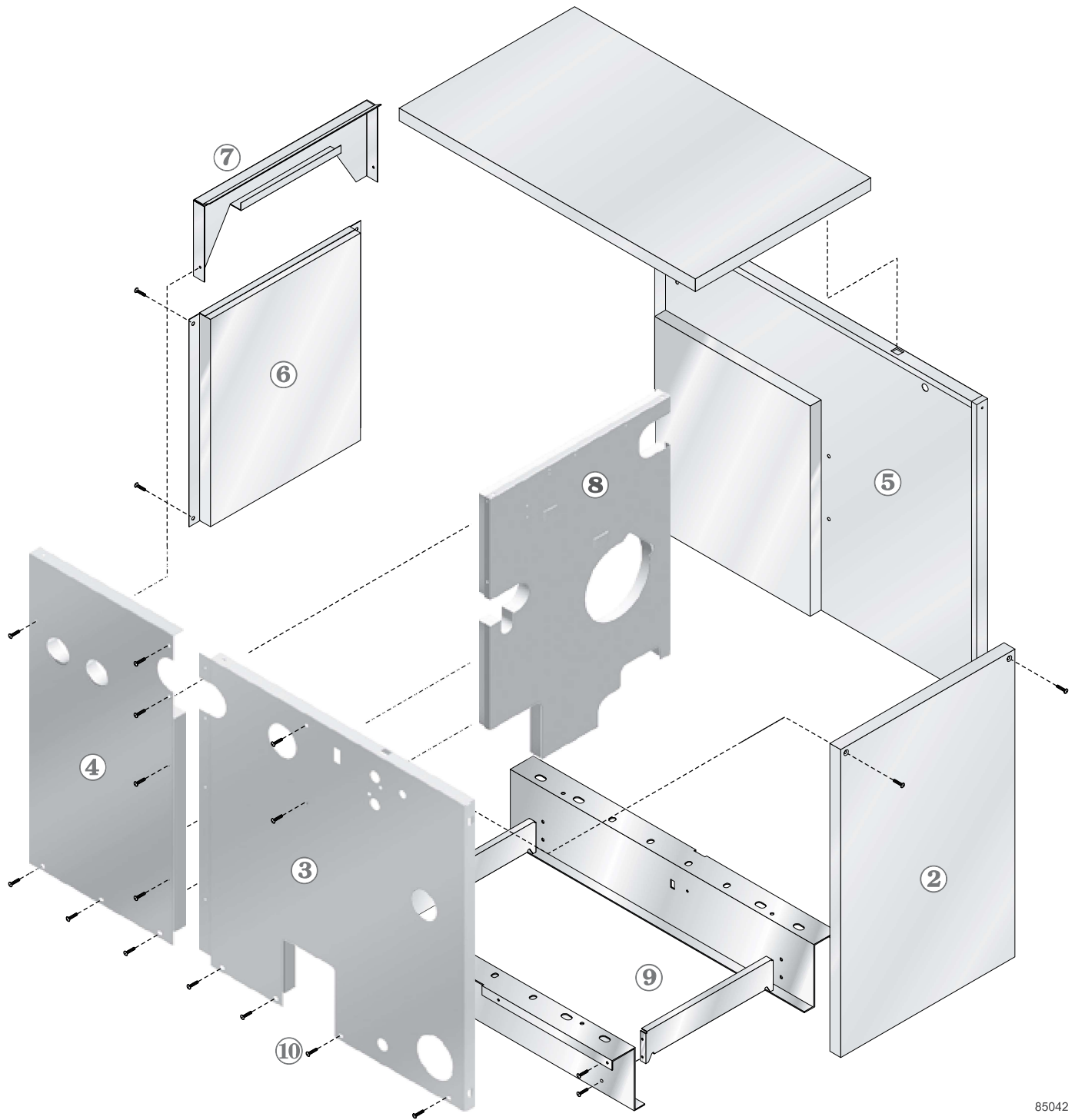
Figure 99 Jacket assembly

| Item number | Description | Model | Weil-McLain part number |
|-------------|---|------------------|--|
| 1 | Jacket panel, top | 3 & 4 5 & 6 | 382-200-758 382-200-759 |
| 2 | Jacket panel, front | All | 382-200-751 |
| 3 | Jacket panel, left side, front | 3 4 5 6 | 382-200-752 382-200-753 382-200-754 382-200-755 |
| 4 | Jacket panel, left side, rear | 3 & 4 5 & 6 | 382-200-762 382-200-763 |
| 5 | Jacket panel, right side | 3 & 4 5 & 6 | 382-200-760 382-200-761 |
| 6 | Jacket panel, rear | All | 382-200-756 |
| 7 | Jacket brace | All | 422-200-246 |
| 8 | Jacket panel, interior | All | 382-200-757 |
| 9 | Base rail assembly | All | See Figure 97, page 92 items 6 and 7 |
| 10 | Screw, sheet metal type AB, serrated hex washer head Phillips #10 x 1/2," steel black phosphate | All | Obtain locally |
| 11 | Touch up paint - Cloud (not shown) | All | 381-359-278 |
| 12 | Touch up paint - Slate (not shown) | All | 384-000-141 |



Replacement parts (continued)

Figure 100 Jacket assembly



85042



Replacement parts (continued)

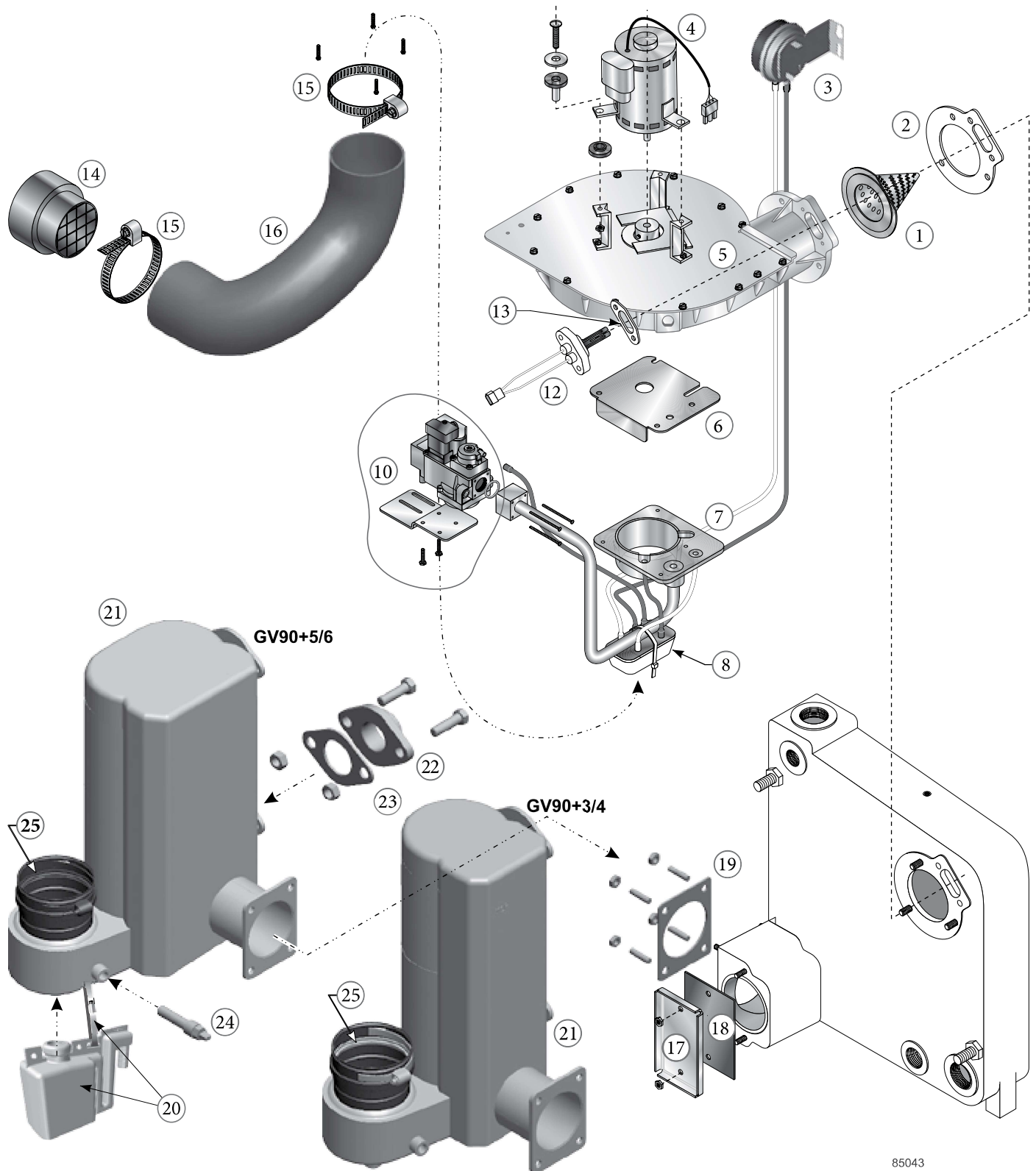
Figure 101 Blower assembly

| Item number | Description | Model | Weil-McLain part number |
|-------------|---|--------------------|--|
| 1 | Burner replacement kit, includes burner, blower flange gasket, igniter, igniter screws, igniter washers, igniter gasket | 3 4 5 6 | 382-200-320 382-200-325 382-200-330 382-200-335 |
| 2 | Blower flange gasket | All | 590-317-610 |
| 3 | Air pressure switch (0 to 5,500 feet elevation) | All | 382-200-723 |
| — | Air pressure switch (5,500 to 10,000 feet elevation) | All | 382-200-728 |
| 4 | Blower motor replacement kit, includes blower motor, motor mounting grommets, screws, lock nuts and 9" Allen wrench | All | 381-356-584 |
| 5 | Blower housing assembly replacement kit, includes: blower housing, obsv. port, blower housing cover plate, blower motor mounting brackets, washer hold down bracket, lock nuts, motor mount grommets, blower motor, blower wheel, magnetic washer, screws, blower flange gasket, igniter, igniter washers, igniter screws, igniter gasket | All | 381-356-587 |
| 6 | Conversion kit, natural to propane , includes Propane orifice plate, label | 3 4 5 6 | 510-811-926 510-811-927 510-811-928 510-811-929 |
| | Orifice plate, natural gas | 3 4 5 6 | 510-811-934 510-811-935 510-811-936 510-811-937 |
| 7 | Gas/air manifold assembly, includes gas/air manifold, gas tubing, washers, screws, gas valve o-ring | All | 382-200-362 |
| 8 | Sense line condensate trap, includes sense line condensate trap and hoses | All | 382-200-409 |
| 10 | Gas valve kit, complete, includes gas valve, bracket, o-ring, screws | All | 382-200-411 |
| 12 | Igniter replacement kit, includes igniter and gasket | All | 511-330-148 |
| 13 | Igniter gasket | All | 590-317-599 |
| 14 | Inlet air tube with grill | All | 382-200-310 |
| 15 | Hose clamp, 3" | All | 591-850-068 |
| 16 | Inlet air hose, 3" by 19" long | All | 562-302-573 |
| 17 & 18 | Inspection port cover and Inspection port gasket | All | See Figure 97, page 92 items 10 and 11 |
| 19 | Recuperator connection gasket | All | 590-317-653 |
| 20 | Condensate trap replacement kit (includes plastic trap and SS hose clamp) | All | 382-200-415 |
| 21 | Recuperator kit, includes recuperator, recuperator connection gasket, diamond flange gasket (2), connection hardware (4-nuts), flue gas thermal switch | 3 and 4 5 and 6 | 382-200-714 382-200-715 |
| 22 | Diamond flange, 1" npt | All | See item 21 |
| 23 | Diamond flange gasket | All | 590-317-535 |
| 24 | Flue gas thermal switch | All | 511-624-664 |
| 25 | Recuperator vent pipe seal | All | 593-000-006 |



Replacement parts (continued)

Figure 102 Blower assembly



85043



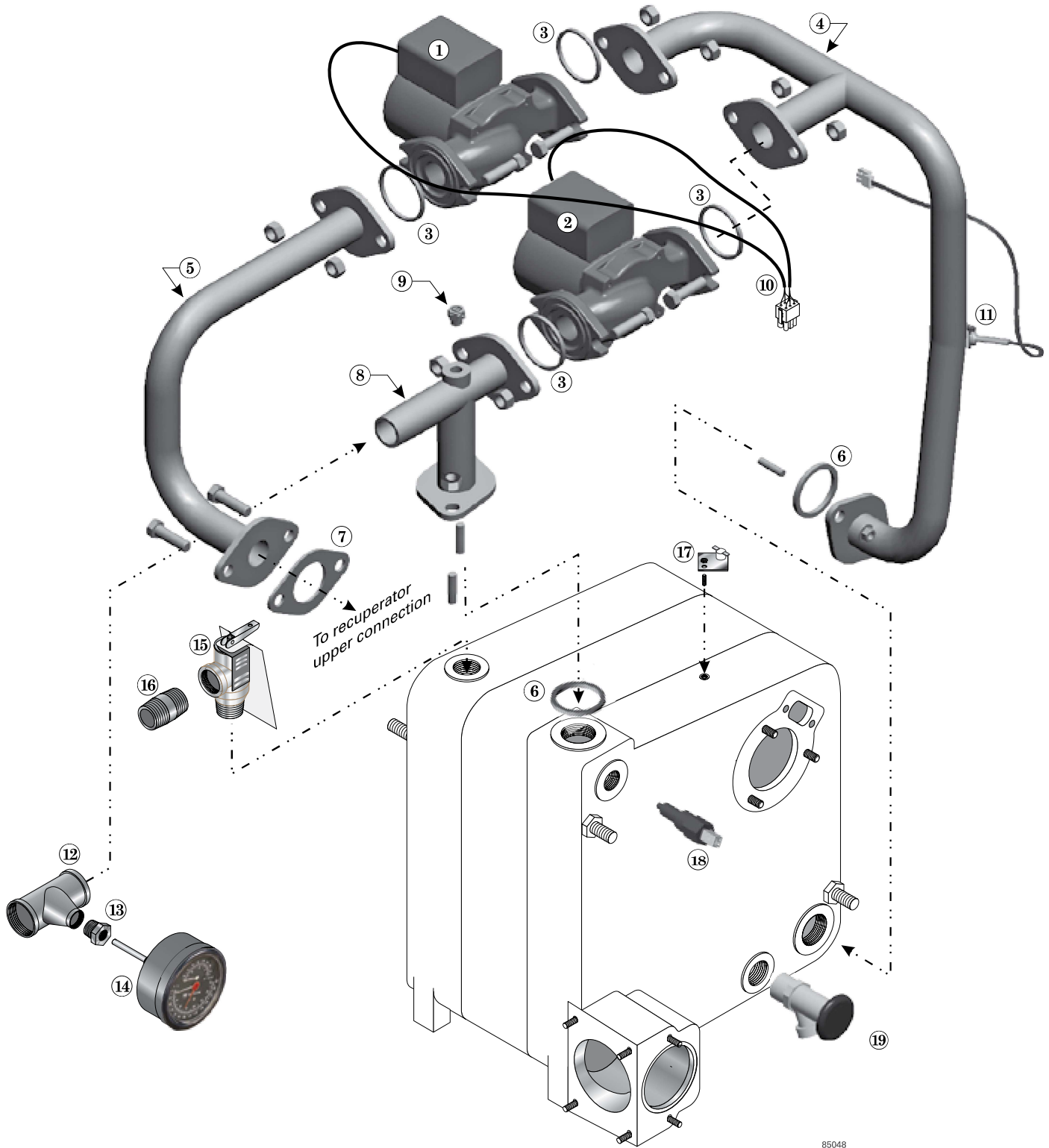
Replacement parts (continued)

Figure 103 Trim assembly

| Item number | Description | Weil-McLain part number |
|-------------|--|-------------------------|
| 1 | System circulator, Taco 007 | 511-405-113 |
| 2 | Bypass circulator, Taco 007 | 511-405-113 |
| 3 | Circulator gasket, Taco 110-339 | 590-317-543 |
| 4 | Manifold, casting/circulator kit, includes water manifold, circulator gasket (Taco 110-339) (2), square cut seal (manifold to casting) | 382-200-720 |
| 5 | Return manifold, recuperator/circulator kit, includes water manifold, circulator gasket (Taco 110-339) (1), diamond gasket | 382-200-721 |
| 6 | Square cut seal gaskets, casting, 2.31" | 572-800-011 |
| 7 | Diamond flange gasket | 590-317-535 |
| 8 | Supply manifold kit, includes water manifold, circulator gasket (Taco 110-339) (1), square cut seal (manifold to casting) | 382-200-722 |
| 9 | Coin-operated air vent, 1/8" NPT | 570-148-565 |
| 10 | Wiring harness, circulators to IBC | 591-391-824 |
| 11 | Return water temperature sensor and clip | 511-330-089 |
| 12 | Tee, 1" x 1" x 3/4" | Obtain locally |
| 13 | Bushing 3/4" x 1/4" | Obtain locally |
| 14 | Temperature and Pressure Gauge, 1/4" NPT | 380-000-000 |
| 15 | 30 PSIG Relief Valve | 511-546-920 |
| 16 | Nipple, NPT — 3/4" x 3" | Obtain locally |
| 17 | Block temperature limit switch | 382-200-375 |
| 18 | Boiler temperature/LWCO sensor | 381-356-589 |
| 19 | Drain valve, 3/4" NPT | 511-246-392 |

Replacement parts (continued)

Figure 104 Trim assembly



85048



Replacement parts (continued)

Figure 105 Interior panel

| Item number | Description | Weil-McLain part number |
|-------------|---|---|
| 1 | Interior panel | See Figure 99, page 94 , item 8 |
| 2 | Integrated boiler control assembly, includes IBC and screws | 381-330-044 |
| 3 | Transformer | 381-356-578 |
| 4 | Air pressure switch | See Figure 101, page 96 item 3 |
| not shown | Wiring harness, IBC to hot surface ignitor | 591-391-819 |
| not shown | Wiring harness, IBC to system and bypass circulator | 591-391-824 |
| not shown | Wiring harness, Inducer/Blower | 591-391-983 |
| not shown | Wiring harness, IBC to junction box | 591-391-984 |
| not shown | Wiring harness, IBC to controls | 591-391-985 |
| not shown | Wiring harness, Thermostat | 591-392-005 |
| not shown | Wiring harness, Water Temperature/LWCO Sensor | 591-391-995 |



Replacement parts (continued)

Figure 106 Interior panel

