



▲WARNING SERVICE TECHNICIAN ONLY – read and follow completely.

Replacement parts

Table 7 WTGO Section and flue collector part numbers for Series 4

NOTICE Repair parts must be purchased through Weil-McLain for the specific boiler as indicated in the list below. Results from using modified or other manufactured parts will not be covered by warranty and may damage boiler or impair operation.

Item	Description	Part No.
A	Front section w/heater opening 7013	316-700-260
B	Wide intermediate section (WTGO-3) 7010	316-700-075
B	Narrow intermediate section 7015	316-700-065
C	Intermediate section w/draw rod lugs 7016	316-700-070
D	Back section w/7" flue, supply & 2" return 7027	316-700-235
E	Section replacement kit (for 1 joint, includes seals, rope, adhesive and collector hood hardware) front or back section	386-700-852
	Section replacement kit (for 2 joints, includes seals, rope and adhesive) intermediate section	386-700-851
	Section assembly, for WTGO-3 with jacket & collector hood installed	386-701-038
	Section assembly, for WTGO-4 with jacket & collector hood installed	386-701-039
	Section assembly, for WTGO-5 with jacket & collector hood installed	386-701-040
	Section assembly, for WTGO-6 with jacket & collector hood installed	386-701-041
	Section assembly only, for WTGO-3	386-700-978
	Section assembly only, for WTGO-4	386-700-980
	Section assembly only, for WTGO-5	386-700-981
	Section assembly only, for WTGO-6	386-700-982
	Section assembly only, for WTGO-7	386-700-662
	Section assembly only, for WTGO-8	386-700-663
	Section assembly only, for WTGO-9	386-700-664
F	Collector hood kit for WTGO-3*	386-700-337
F	Collector hood kit for WTGO-4*	386-700-337
F	Collector hood kit for WTGO-5*	386-700-338
F	Collector hood kit for WTGO-6*	386-700-339
F	Collector hood kit for WTGO-7*	450-020-188
F	Collector hood kit for WTGO-8*	450-020-189

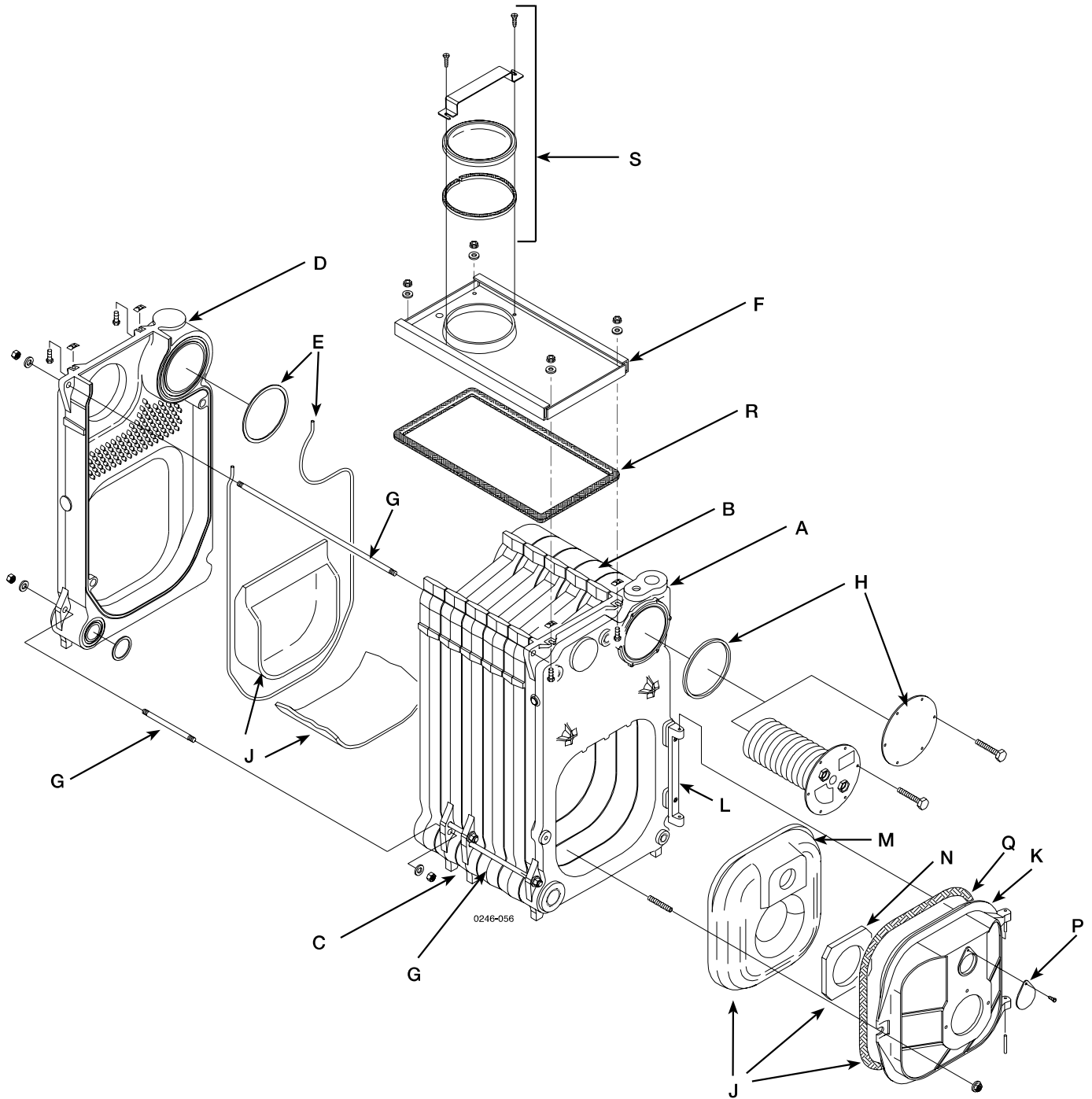
Item	Description	Part No.
F	Collector hood kit for WTGO-9*	450-020-190
G	Tie rod ½ x 5½ (WTGO-7, 8, 9)	560-234-464
G	Tie rod ½ x 10¾ (WTGO-7)	560-234-491
G	Tie rod ½ x 12 (WTGO-7)	560-234-492
G	Tie rod ½ x 14 (WTGO-3, 4, 8, 9)	560-234-470
G	Tie rod ½ x 15 (WTGO-9)	560-234-495
G	Tie rod ½ x 17 (WTGO-5)	560-234-472
G	Tie rod ½ x 20 (WTGO-6)	560-234-534
G	Tie rod ½ x 23¼ (WTGO-7)	560-234-538
G	Tie rod 11/42 x 26 3/8 (WTGO-8)	560-234-542
G	Tie rod ½ x 29½(WTGO-9)	560-234-497
H	Heater cover plate carton (cover plate, gasket, studs, & nuts)	386-700-360
J	Combustion chamber kit (rear & front Ref., Door ref. Blanket, rope, blanket & water glass)	386-700-355
	Burner mounting door assembly (door, obs. port, rope, ins. & pins)	386-700-358
K	Burner mounting door 7070	330-054-302
L	Door hinge 7054	330-054-300
M	Door refractory	386-700-359
N	Door refractory blanket	591-222-115
P	Observation port shutter	460-039-867
Q	Door seal rope 5'	590-735-105
R	3/8" Glass rope for collector hood (7' for largest size hood)	590-735-109
S	Flue cap assembly (cap, strap, rope & screws)	386-700-344
	Flue brush 123D	591-706-214
	Blocked vent shutoff switch (Canada only)	511-624-650
* Includes flue cap assembly, rope and hardware for installation.		



WARNING SERVICE TECHNICIAN ONLY – read and follow completely.

Replacement parts (continued)

Figure 31 WTGO Section and flue collector parts for Series 4





⚠ WARNING SERVICE TECHNICIAN ONLY – read and follow completely.

Replacement parts (continued)

Table 8 WTGO Trim part numbers for Series 4

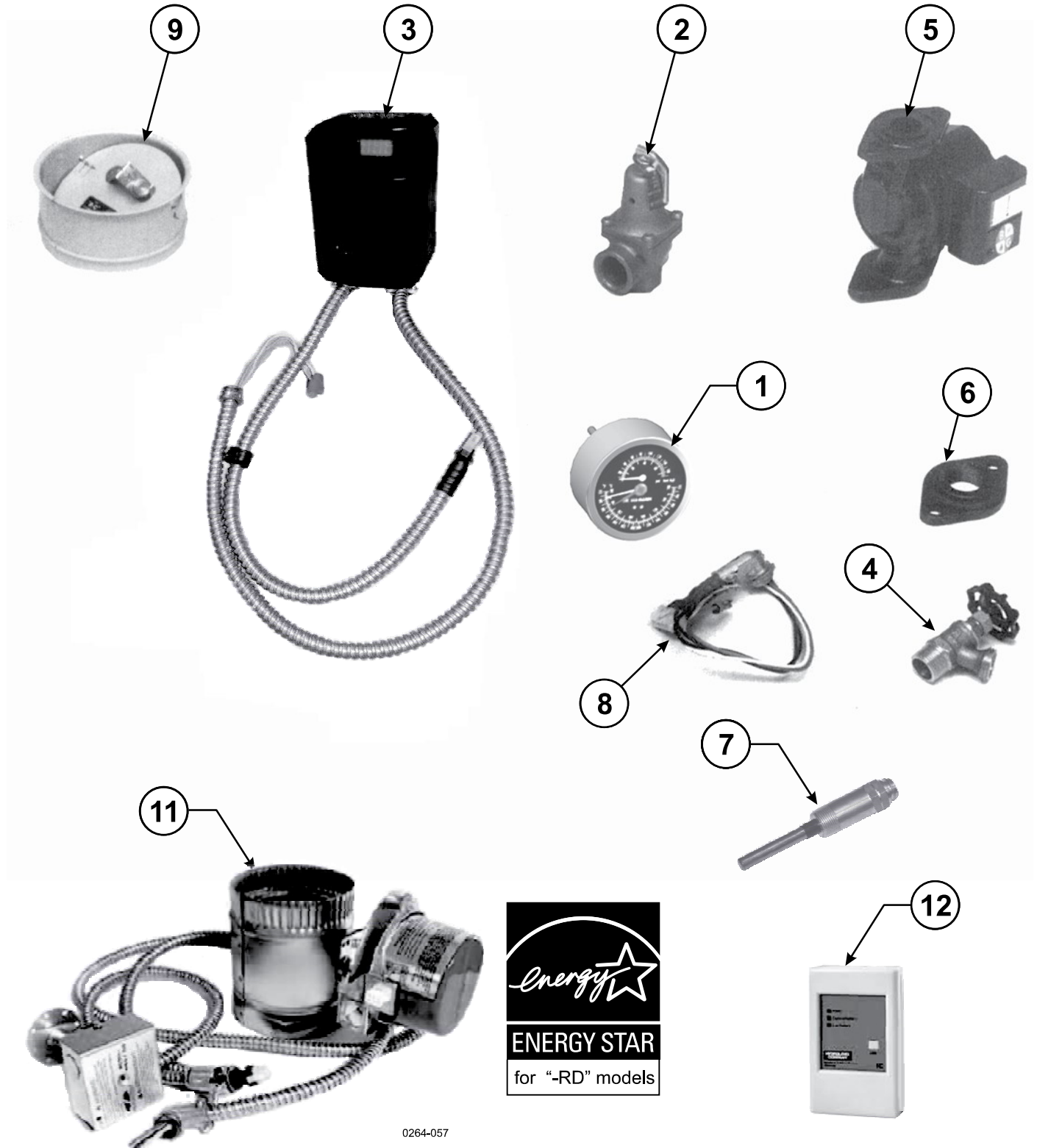
Item	Description	Part no.	
1	Combination pressure-temperature gauge kit, 60° – 360° F., 0 - 75 psi, 31/8" dia., 1/4" NPT, short shank, with 1/4" x 1/2" reducing bushing	380-000-000	
2	ASME pressure relief valve, set to relieve at 30 PSIG, 3/4" male inlet, 3/4" female outlet	511-546-920	
3	Electronic aquastat, high limit or combination high/low limit, with LWCO, high limit 100°–220°, low limit 110°- 200°, circulator amps: 5.8 FLA, anticipator: 0.2 amps	381-300-000	
4	Drain cock, 3/4" NPT, 11/2" shank	511-210-423	
	Drain cock, 3/4" NPT	511-246-392	
5	Circulator	WTGO 3 & 4 – Taco 007e ECM	511-405-153
		WTGO 3 - 6 – Taco 007	511-405-113
6	Circulator universal hardware kit 11/4" (Includes: (1) Flange, (1) Gasket, (2) Screws and (2) nuts) for sizes 2, 3 & 4 only	381-354-526	
	Circulator universal hardware kit 11/2" (Includes: (1) Flange, (1) Gasket, (2) Screws and (2) nuts) for sizes 5 & 6 only	381-354-531	
7	Well 3/4" NPT, 6.25" long, extended shank type	592-300-027	
8	Burner harness assembly	591-391-850	
9	Barometric damper	510-512-267	
10	Flue pipe brackets (set of 2) (Not shown)	426-700-268	
11	Vent damper kits - Required for ENERGY STAR® compliance, (Version 3.0 Boilers specification of 87% AFUE), with reduced rates only		
	WTGO-3RD (Optional equipment)	381-800-502	
	WTGO-4RD (Optional equipment)	381-800-503	
	WTGO-5RD (Optional equipment)	381-800-504	
	WTGO-6RD (Optional equipment)	381-800-505	
	WTGO-7RD (Optional equipment)	381-800-506	
Vent damper kit - Required for High Input nozzle installation WTGO-3D, WTGO-3LD, WTGO-4D, WTGO-5D, WTGO-6D, and WTGO-7D		381-800-515	
12	Outdoor - temperature sensor (Wireless)	386-701-047	



WARNING SERVICE TECHNICIAN ONLY – read and follow completely.

Replacement parts (continued)

Figure 32 WTGO Trim part for Series 4





▲WARNING SERVICE TECHNICIAN ONLY – read and follow completely.

Replacement parts (continued)

Table 9 WTGO part numbers for Series 4

Boiler Size	Jacket panel with insulation – front	Left side & rear	Right side & rear	Top panel with cap
WTGO-3L	381-355-962	381-355-963	381-355-982	381-355-969
WTGO-3	381-355-964	381-355-965	381-355-974	381-355-970
WTGO-4	381-355-964	381-355-966	381-355-974	381-355-971
WTGO-5	381-355-964	381-355-967	381-355-975	381-355-972
WTGO-6	381-355-964	381-355-968	381-355-976	381-355-973

Complete Jacket cartons	
3 section WTGO-3	416-700-468
3 section WTGO-3L	416-700-469
4 section	416-700-470
5 section	416-700-471
6 section	416-700-472
7 section	416-700-473
8 section	416-700-474
9 section	416-700-475

Common jacket parts for all boilers	
Plastic flue cap cover with insulation	560-917-105
Jacket hardware kit	386-700-853
Touch up paint, Cloud spray can	381-359-278
Touch up paint, Slate spray can	384-000-141

Figure 33 WTGO Boiler jacket for Series 4

