

Features

- Single-function spray with 66 MasterClean™ nozzles.
- MasterClean™ spray nozzles prohibit mineral build-up.
- 2.5 gpm (9.5 lpm) maximum flow rate.

Installation

- 1/2" - 14 NPT connection.

Recommended Accessories

K-14679 Shower Arm and Flange



Codes/Standards

ASME A112.18.1/CSA B125.1

DOE - Energy Policy Act 1992

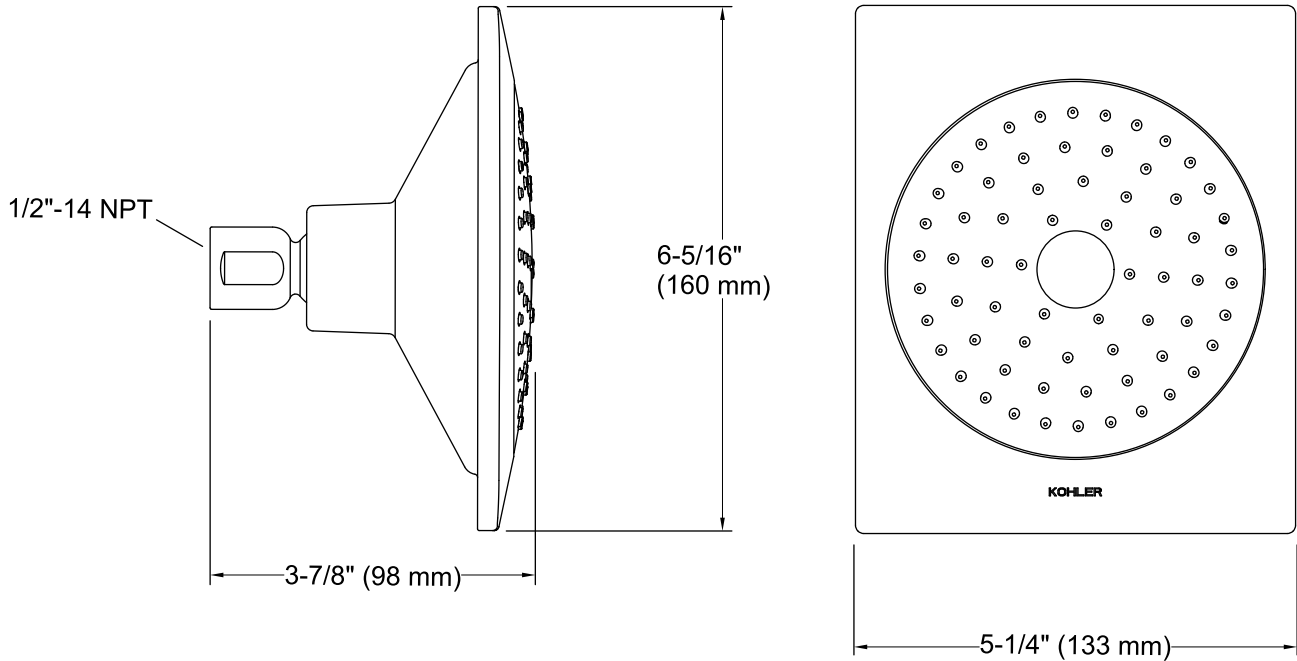
KOHLER® Faucet Lifetime Limited Warranty

See website for detailed warranty information.

Available Color/Finishes

Color tiles intended for reference only.

Color	Code	Description
	CP	Polished Chrome
	SN	Vibrant® Polished Nickel
	BN	Vibrant® Brushed Nickel
	BL	Matte Black



Technical Information

All product dimensions are nominal.

Showerhead/Body Spray:

Rated maximum flow: 2.5 gal/min (9.5 l/min)

Notes

Install this product according to the installation guide.