

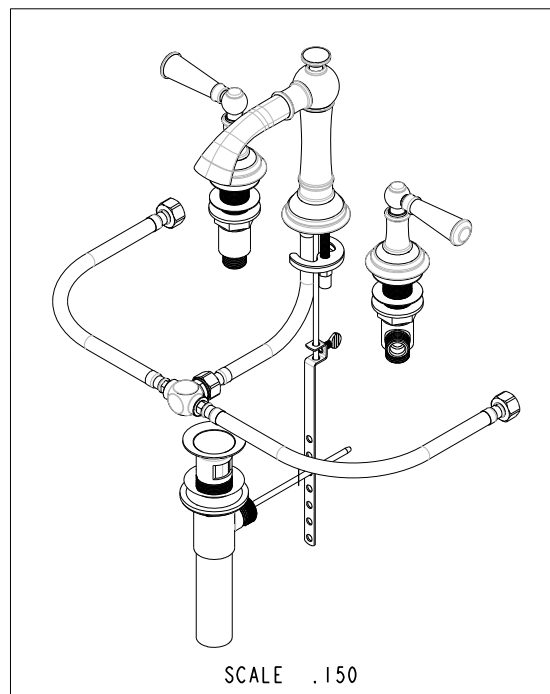
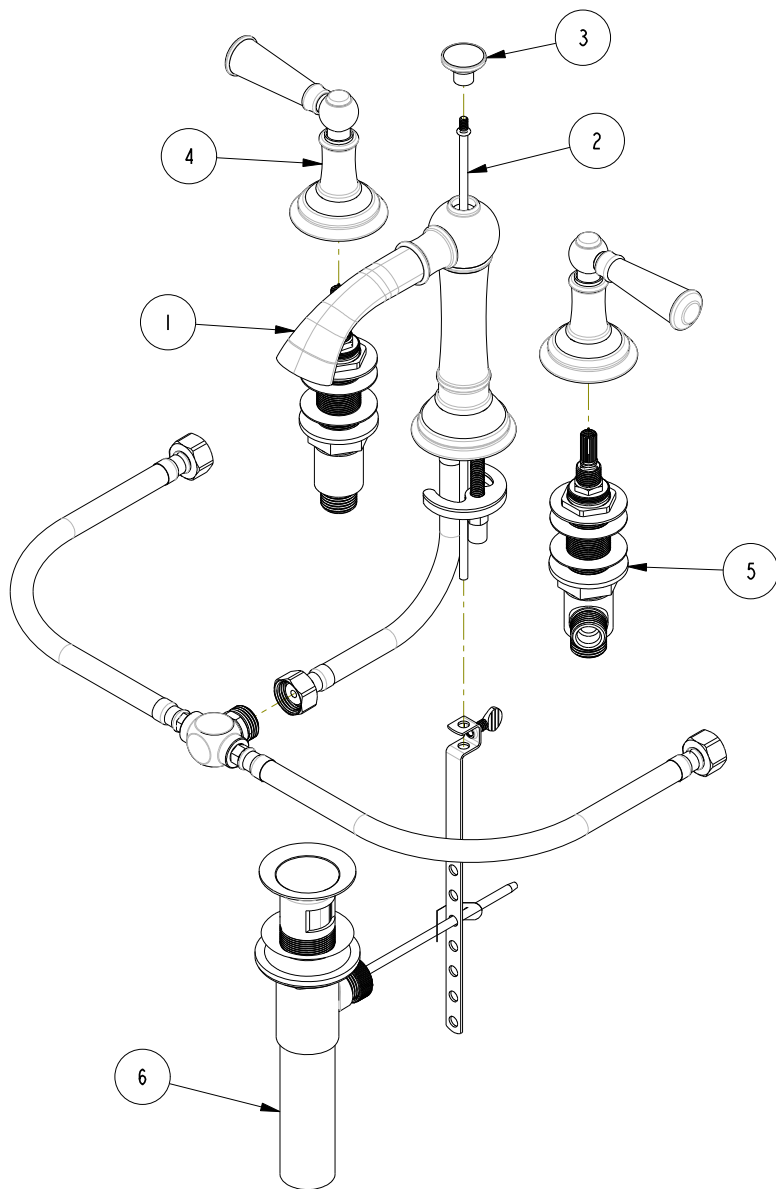
4

3

2

BILL OF MATERIAL (CURRENT LEVEL)

ITEM	PT/ASSY	DESCRIPTION	TYPE	QTY.
1	2-767	W/S SPOUT ASM	ASSEMBLY	1
2	2-657	POP-UP ROD AND O-RING ASM	ASSEMBLY	1
3	11583	POP-UP KNOB	PART	1
4	3-373	LEVER HANDLE AND ESC. ASM	ASSEMBLY	2
5	1-525	W/S VALVE INSTALLATION	ASSEMBLY	1
6	325	POP UP ASSEMBLY	ASSEMBLY	1



COPYRIGHT 2005 BRASSTECH, INC. THESE DRAWINGS AND THE DESIGNS DEPICTED HEREIN ARE THE PROPRIETARY PROPERTY OF BRASSTECH. ANY USE OR REPRODUCTION IS SUBJECT TO THE EXPRESS APPROVAL OF BRASSTECH. UNAUTHORIZED USE IS STRICTLY PROHIBITED. ALL RIGHTS RESERVED.

BRASSTECH
INCORPORATED
2001 E. CARNEGIE AVE.
SANTA ANA, CA 92705
(949) 417-5207

W/S LAVATORY FAUCET

ASSY. NO. 2410

SCALE .230

REF. -

SHEET 1 OF 2

C	EN-2120	04/05/12
B	EN-1844	09/01/11
A	EN-1616	09/13/10
-	EN-1266	05/05/10
REV	REV DESC	DATE

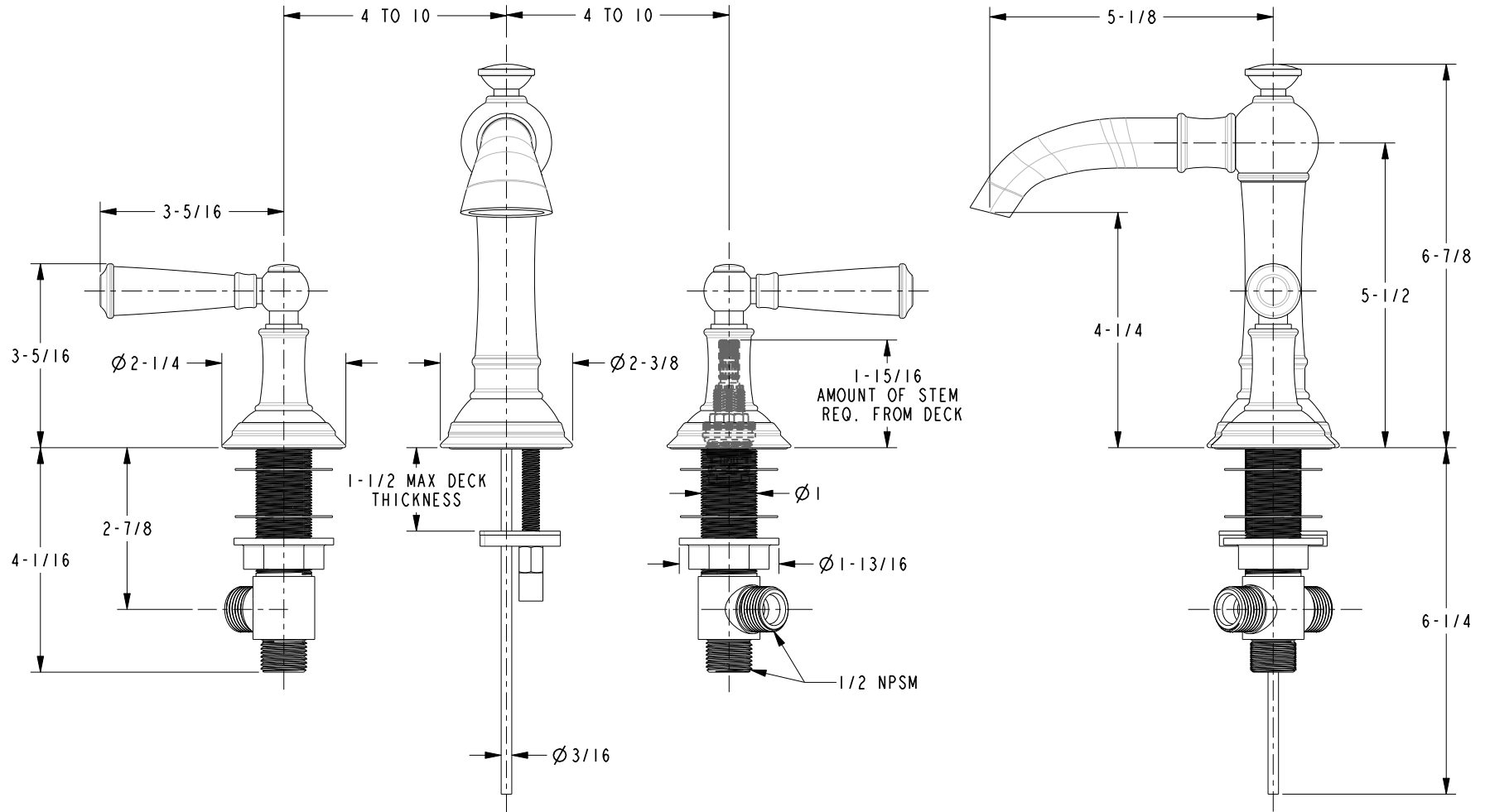
4

3

2

1

SPECIFICATION DWG



DIMENSIONS ARE IN INCHES AND AN APPROXIMATION OF A TYPICAL INSTALLATION

COPYRIGHT 2005 BRASSTECH, INC. THESE DRAWINGS AND THE DESIGNS DEPICTED HEREIN ARE THE PROPRIETARY PROPERTY OF BRASSTECH. ANY USE OR REPRODUCTION IS SUBJECT TO THE EXPRESS APPROVAL OF BRASSTECH. UNAUTHORIZED USE IS STRICTLY PROHIBITED. ALL RIGHTS RESERVED.

BRASSTECH		2001 CARNEGIE AVE. SANTA ANA, CA 92705 (949) 417-5207	
DWG NO.	2410	REV	C
SCALE	.350	REF.	-
		SHEET	2 OF 2