



Betello™
left-hand trip lever
K-21261-L

Features

- Left-hand trip lever
- For use with the K-20197 and K-20198 Betello™ toilets

Material

- Premium metal construction for durability and reliability
- KOHLER finishes resist corrosion and tarnishing

Recommended Products/Accessories

K-23723 Faucet cleaner



ADA

CSA B651

OBC

Codes/Standards

ADA

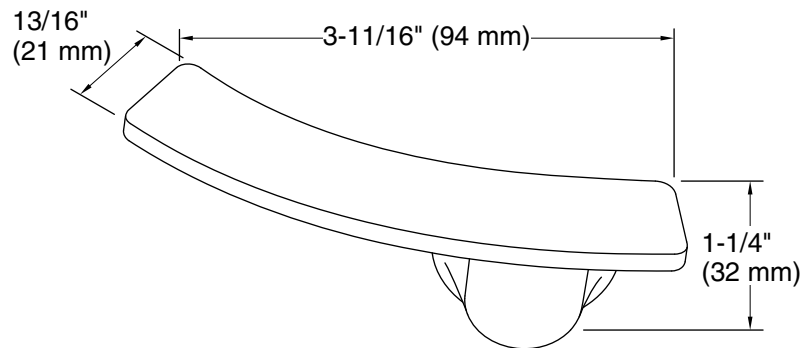
ICC/ANSI A117.1

CSA B651

OBC

**KOHLER® One-Year Limited
Warranty**

See website for detailed warranty information.



Technical Information

All product dimensions are nominal.

Material: Metal

Notes

ADA, OBC, CSA B651 compliant when installed to the specific requirements of these regulations.