

## Features

- Rounded glass shades join pristinely with decorative mounts, creating an elegant simplicity
- Sconces can be positioned up or down, depending on room setting
- Candelabra base (E12) socket, works best with B11 or T8 bulb (sold separately)
- Suitable for damp locations, per UL 1598
- Includes installation hardware
- Coordinates with other products in the Crue collection

## Material

- Manufactured with quality materials and complemented with a meticulous finishing process
- Durable finishes engineered to last and designed to coordinate with KOHLER faucet finishes



## Codes/Standards


UL 1598  
CSA C22.2 No. 250.0

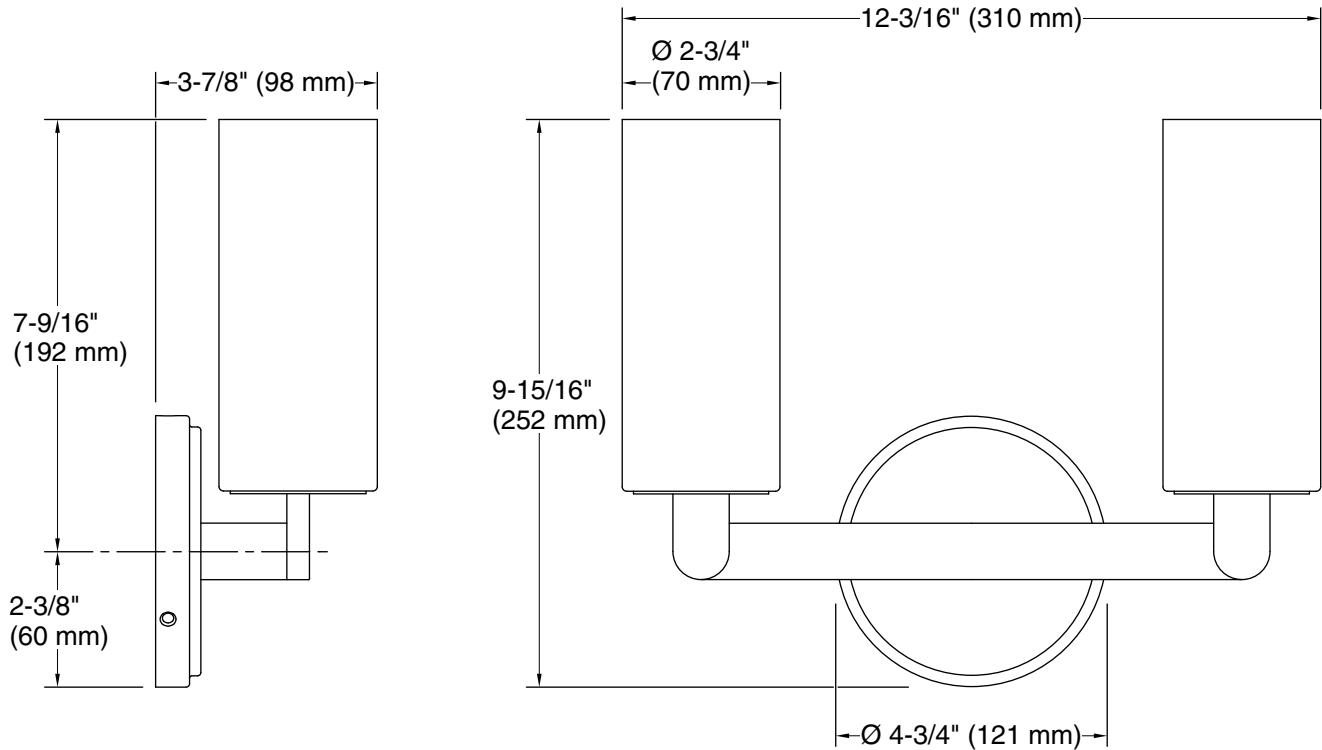
## KOHLER® Indoor Lighting Fixtures Limited Warranty

See website for detailed warranty information.

## Available Colors/Finishes

*Color tiles intended for reference only.*

Color	Code	Description
	TTL	Titanium
	BNL	Brushed Nickel
	CPL	Polished Chrome
	BLL	Matte Black
	2GL	Brushed Moderne Brass



## Required Electrical Service

One circuit required.

120 V, 0.667 A, 60 Hz

## Notes

Install this product according to the installation instructions.

## Technical Information

All product dimensions are nominal.

Material:	Steel, Glass, Aluminum
Number of Lights:	2
Lighting Type:	Socket-based
Socket Type:	E-12 Candelabra
Number of Shades:	2
Shade Type:	Frosted Glass
Hanging Type:	Non-hanging
Height:	9-15/16" (252 mm) - 9-15/16" (252 mm)