



# Traverse®

60" x 32" Vikrell® bath/shower, right drain  
71520120



### Features

- Tongue-and-groove modular design allows for easy installation during any phase of construction
- Modern subway tile design
- Full-length shelf provides generous storage
- Easy-to-clean, durable high-gloss finish
- Innovative Dry-Block™ seal and channeled water containment system form watertight seams

### Material

- Compression molded from our exclusive solid Vikrell® material

### Installation

- Pro4™ installation system features a two-piece back wall design, enabling one-person handling and installation
- Alcove
- Caulk-free installation
- Right drain

### Recommended Products/Accessories

- K-23726 Drain treatment
- K-23733 Vikrell® cleaner

### Included Components

- 71121120 60" x 32" Vikrell® bath, right drain
- 71524100 60" x 32" Vikrell® bath/shower wall set



### Codes/Standards

- CSA B45.5/IAPMO Z124
- ASTM E162
- ASTM E662
- HUD, UM Bulletin 73
- IAPMO Certification

### STERLING® Vikrell® or Acrylic Baths and Shower Bases Ten-Year Limited Warranty

See website for detailed warranty information.

### Available Colors/Finishes

*Color tiles intended for reference only.*

#### Color Code Description

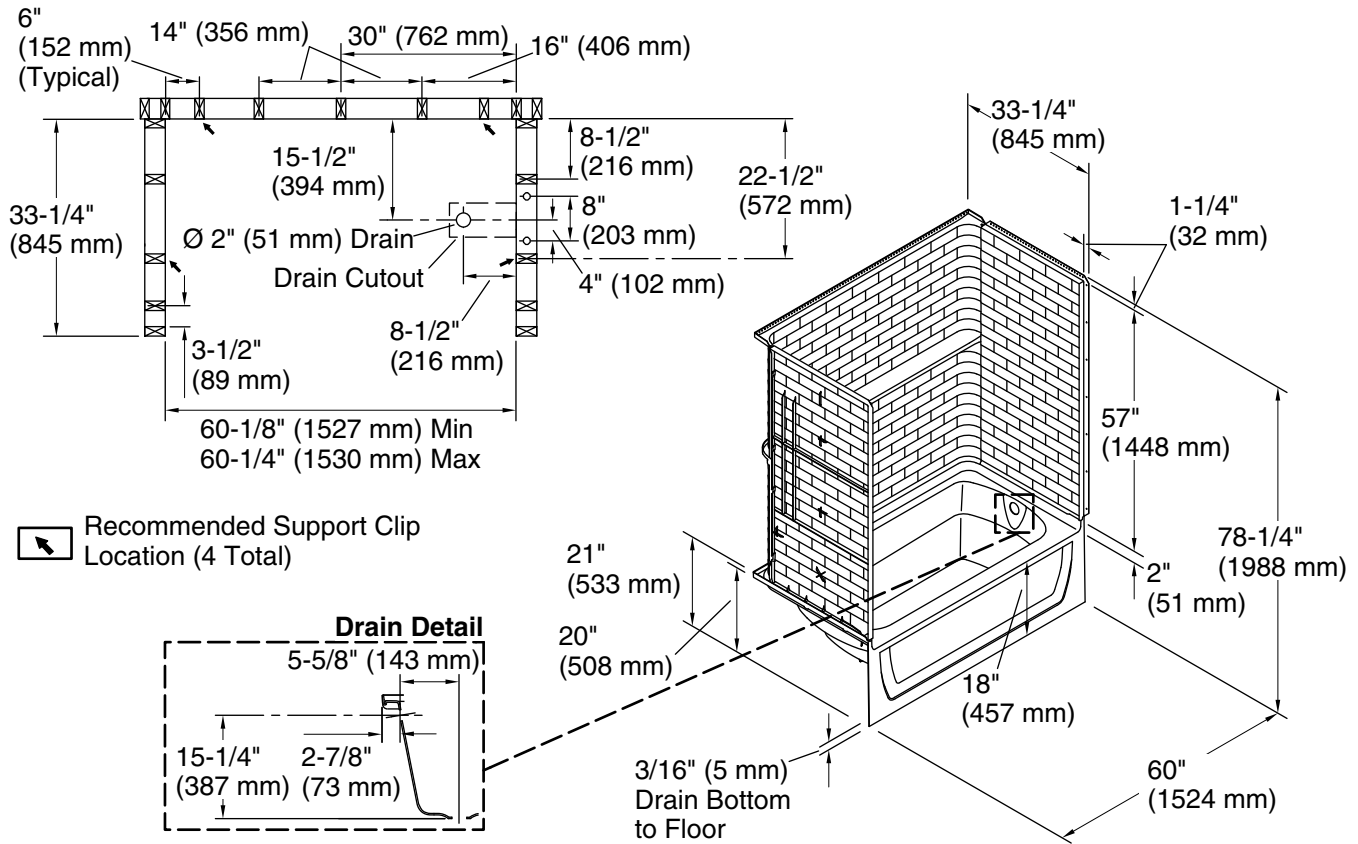
	0	White
--	---	-------

1-800-STERLING (1-800-783-7546)

Kohler Co. reserves the right to make revisions without notice to product specifications.

For the most current Specification Sheet, go to [www.sterlingplumbing.com](http://www.sterlingplumbing.com).

2-10-2024 21:32 - US



**Technical Information**

All product dimensions are nominal.

Drain location:	Right
Weight:	160.5 lbs (72.8 kg)
Water depth:	13-3/4" (349 mm)
Maximum door height:	58-3/4" (1492 mm)
Maximum door width:	57-5/8" (1464 mm)

**Notes**

Install this product according to the installation instructions.

Studs should be positioned roughly as shown. Double studding is recommended for pivot shower door installations.

Attach grab bars at the specified backer board locations only.