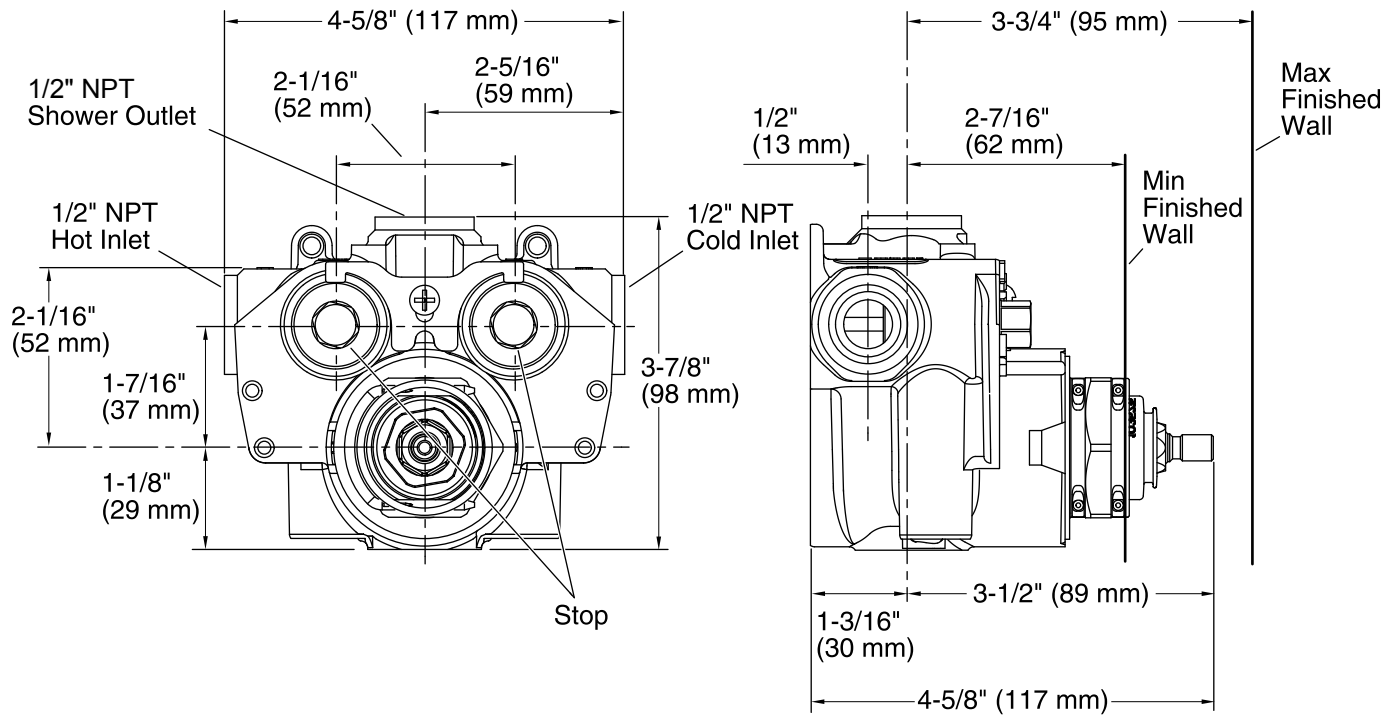




**Codes/Standards**

None Applicable

See website for detailed warranty information.



### Technical Information

All product dimensions are nominal.