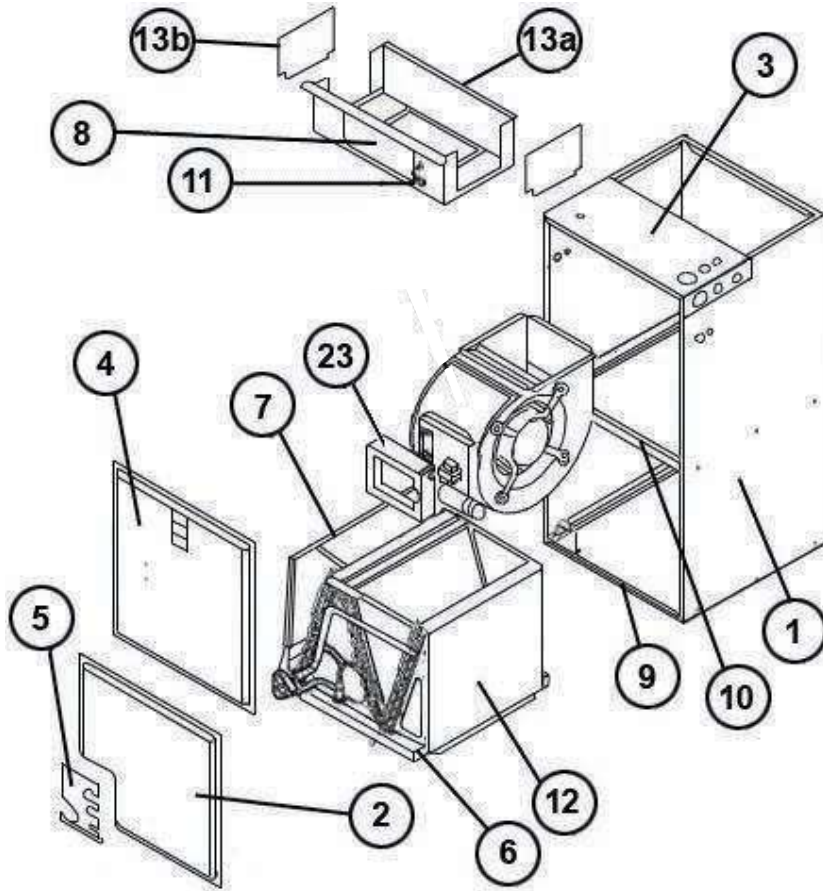


2. Indoor unit parts list

2-1. Models: AMUG24LMAS, AMUG30LMAS, AMUG36LMAS, and AMUG48LMAS

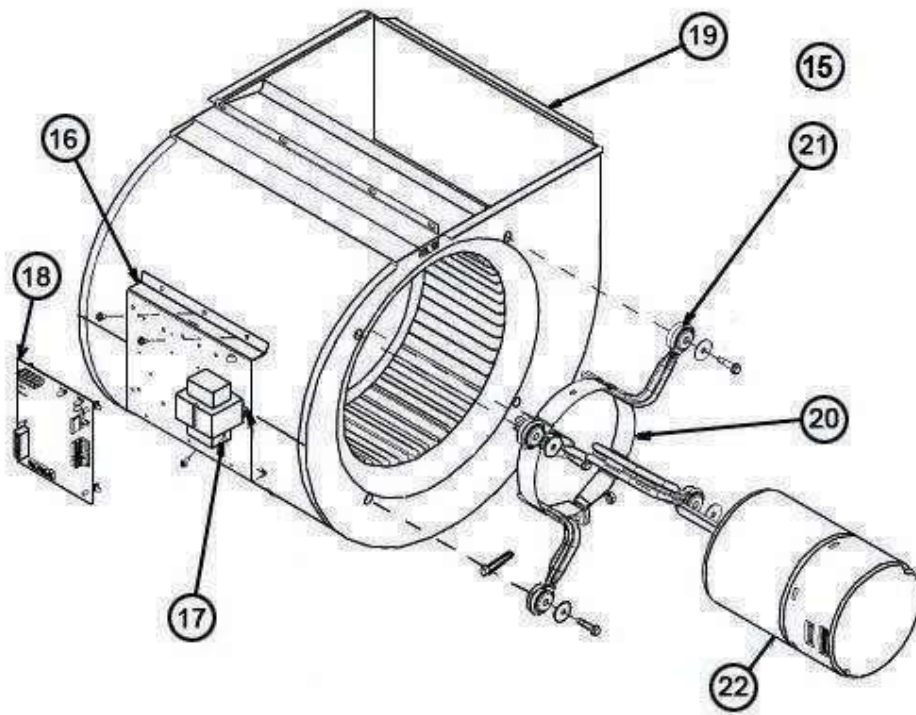
■ Exterior parts and chassis



Item no.	Part name	Part no.			
		AMUG24LMAS	AMUG30LMAS	AMUG36LMAS	AMUG48LMAS
Panel, Sheet metal, Miscellaneous					
1	Insulation - Cabinet	68-101121-02	68-101121-02	68-101121-15	68-101121-15
	Insulation Retainer Rod (2)	45-102868-03	45-102868-03	45-102868-03	45-102868-03
2	Coil Door	AE-100685-23	AE-100685-23	N/A	N/A
	Insulation - Coil Door	68-101577-07	68-101577-07	68-101577-10	68-101577-10
3	Top Cover Plate	AE-100686-02	AE-100686-02	AE-100686-02	AE-100686-02
	Insulation - Top Cover Plate	68-101122-02	68-101122-02	68-101122-02	68-101122-02
4	Blower Door	AE-100684-22	AE-100684-22	AE-100684-22	AE-100684-22
	Insulation - Blower Door	68-101576-02	68-101576-02	68-101576-02	68-101576-02
5	Access Panel	AE-101133-21	AE-101133-21	AE-101133-21	AE-101133-21
	Insulation - Access Panel	68-101644-01	68-101644-01	68-101644-01	68-101644-01
6	Drain Pan - Vertical	See RCH Coil Parts List			
7	Drain Pan - Horizontal	See RCH Coil Parts List			
8	Plate - Block Off	AE-100455-01	AE-100455-01	AE-100455-01	AE-100455-01
9	Cabinet Brace	AE-101134-03	AE-101134-03	AE-101134-03	AE-101134-03
10	Middle Brace	AE-101054-02	AE-101054-02	AE-101054-02	AE-101054-02
13a	Heat Barrier	AE-100683-05	AE-100683-05	AE-100683-06	AE-100683-06
13b	Heat Barrier Side (2)	AE-104241-01	AE-104241-01	AE-104241-01	AE-104241-01
	Touch-up Paint - Private Label Gray (Aerosol)	523014	523014	523014	523014
	Touch-up Paint - Private Label Gray (Paint Pens)	523015	523015	523015	523015
Coil group					
12	Replacement Coil	RCH-3021SNAV UA	RCH-3021SNAV UA	RCH-4821SNAV UA	RCH-4821SNAV UA
	Horizontal Adapter Kit	See specified RCH Coil Parts List			
	Drain Pan - Vertical	See specified RCH Coil Parts List			

Blower assy

TECHNICAL DATA
AND PARTS LIST



TECHNICAL DATA
AND PARTS LIST

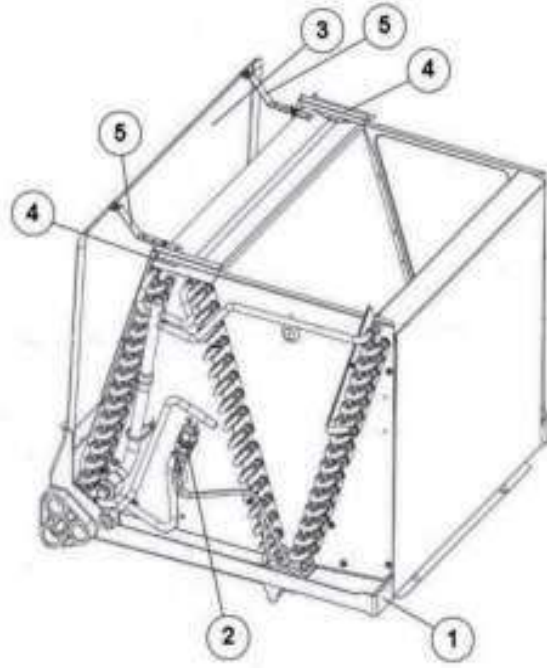
Item no.	Part name	Part no.			
		AMUG24LMAS	AMUG30LMAS	AMUG36LMAS	AMUG48LMAS
Electrical group					
17	Transformer*	46-101905-01			
18	Control Board*	9711678003	9711678010	9711678027	9711678034
	Communication PCB	9710019005			
	Control board spacer	0600035037			
	Communication PCB holder	0600063023			
11	Terminal Block for Power	9306488154			
11	Terminal Block for RC/ External input	9900896027			
	Thermistor (Pipe)	9901058004			
	Thermistor (Room)	9900960056			
	Wire with connector	9382318222			
	Wire with connector	9382318239			
	Wire with connector	9382318246			
	Wire with terminal	9382318253			
Blower group					
16	Mounting Bracket - Control Board	10-101049-03	10-101049-03	10-101049-03	10-101049-03
17	Transformer	See Electrical group			
18	Control Board	See Electrical group			
19	Blower Housing w/Wheel	70-101729-02	70-101729-02	70-101729-08	70-101729-08
	Blower Wheel*	703014	703014	703023	703023
20	Motor Mount - Band	70-19927-04	70-19927-04	70-19927-04	70-19927-04
21	Motor Mount - Arm (4)	70-19929-10	70-19929-10	70-19929-10	70-19929-10
22	Blower Motor*	51-102601-01	51-102601-01	51-102603-01	51-102603-01
23	Mounting Bracket Cover	10-101797-03	10-101797-03	10-101797-03	10-101797-03

*: It is recommended that stock be maintained for this part.

■ RCH coil

TECHNICAL DATA
AND PARTS LIST

TECHNICAL DATA
AND PARTS LIST



Item no.	Part name	Part no.			
		AMUG24LMAS	AMUG30LMAS	AMUG36LMAS	AMUG48LMAS
1	Drain Pan - Vertical*	68-104822-03			
2	Distributor Assembly*	83-104030-02			
	Horizontal Adapter Kit - Includes Straps, Shields, Drain Pan and Insulation	RXHH-A03			
3	Drain Pan - Horizontal	AE-101128-31			
	Insulation - Horizontal Pan	68-100528-01			
4	Rear/Front Shield (2)	AE-101136-07			
5	Straps (2)	AE-100530-07			

*: It is recommended that stock be maintained for this part.