

### Features

- Metal construction.
- One-piece, self-contained ceramic disc valve allows both volume and temperature control.
- Temperature memory allows faucet to be turned on and off at any temperature setting.
- Pop-up drain with lift rod and tailpiece.
- 5" (127 mm) spout reach.
- Stationary spout.
- Lever handle.
- Includes a 6-1/4" (159 mm) escutcheon plate for three-hole bathroom sinks.
- Single-hole installation.
- 1.5 gal/min (5.7 l/min) maximum flow rate [max at 60 psi (4.14 bar)].



For complete listing of available colors, go to [kohler.com](http://kohler.com).



**ADA** **CSA B651** **OBC**

### Codes/Standards

ASME A112.18.1/CSA B125.1

NSF 61

NSF 372

ADA

ICC/ANSI A117.1

DOE - Energy Policy Act 1992

EPA WaterSense®

CSA B651

OBC

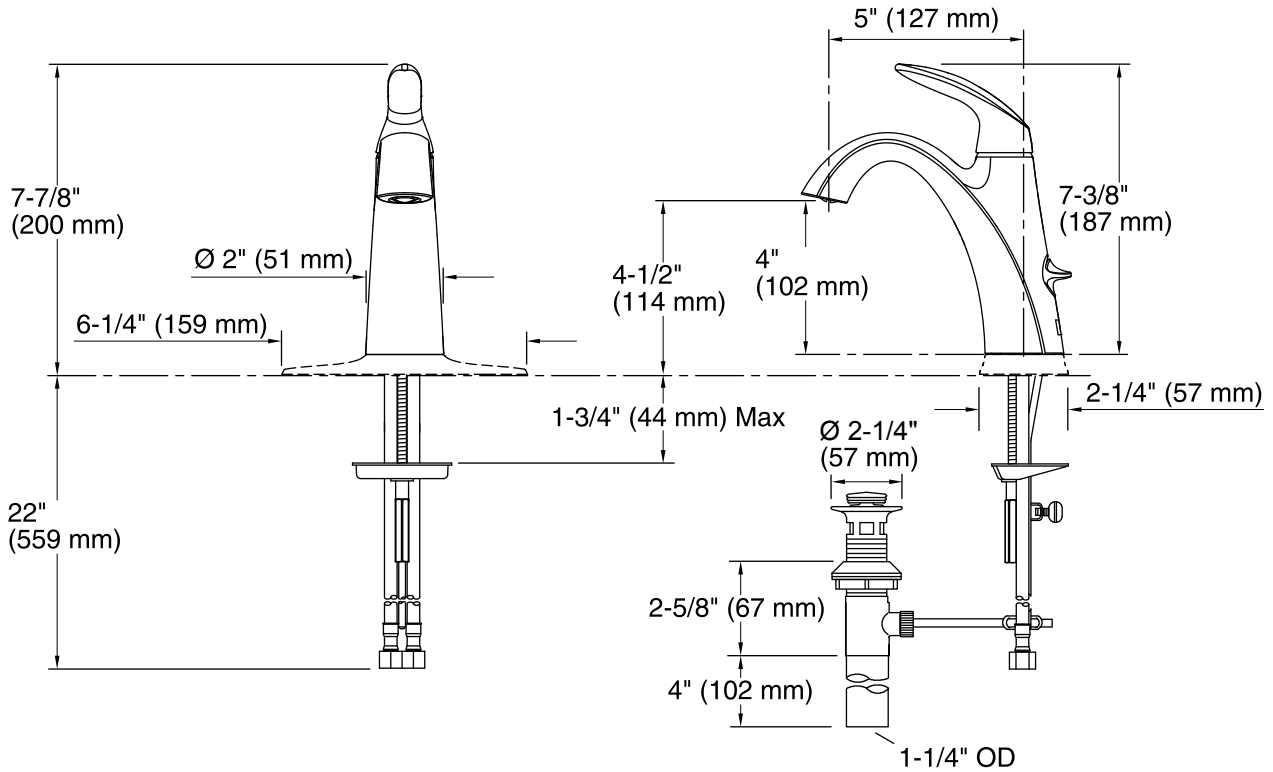
All applicable US Federal and State material regulations

### KOHLER® Faucet Lifetime Limited Warranty

See website for detailed warranty information.

### Product Specification

Bathroom sink faucet shall be 5" (127 mm) spout reach and 4" (102 mm) spout outlet height. Bathroom sink faucet shall be metal construction. Bathroom sink faucet shall be lever handle. Bathroom sink faucet shall be pop-up drain with tailpiece. Bathroom sink faucet shall be for single-hole installation. Bathroom sink faucet shall be KOHLER Model K-45800-4.



### Pop-Up Drain

### Technical Information

All measurements are nominal.

Spout reach: 5" (127 mm)

Drain included: YES

Drain tailpiece included: YES

#### Faucet:

Flow rate: 1.5 gal/min (5.7 l/min)

Pressure: 60 psi (4.1 bar)

### Installation Notes

Install this product according to the installation guide.

If possible, install the faucet and drain to the bathroom sink before installing the sink.

ADA, OBC, CSA B651 compliant when installed to the specific requirements of these regulations.

ADA compliant when installed to the specific requirements of these regulations.

CSA B651 compliant when installed to the specific requirements of these regulations.