

Features

- Brass construction
- Single-hole mounting
- Above-counter battery and valve for easy installation and maintenance
- Vandal-resistant aerator
- 24" (610 mm) flexible supply hoses for easy installation
- 5" (146 mm) spout reach
- Stationary spout
- Available with or without mixer
- Includes two AAA batteries
- Less drain
- 0.5 ga/min (1.9 l/min) flow rate



For complete listing of available colors, go to kohler.com.

ADA

CSA B651

OBC

Codes/Standards

ASME A112.18.1/CSA B125.1

NSF 372

ADA

ICC/ANSI A117.1

DOE - Energy Policy Act 1992

CSA B651

OBC

All applicable US Federal and State material regulations

FCC Part 15

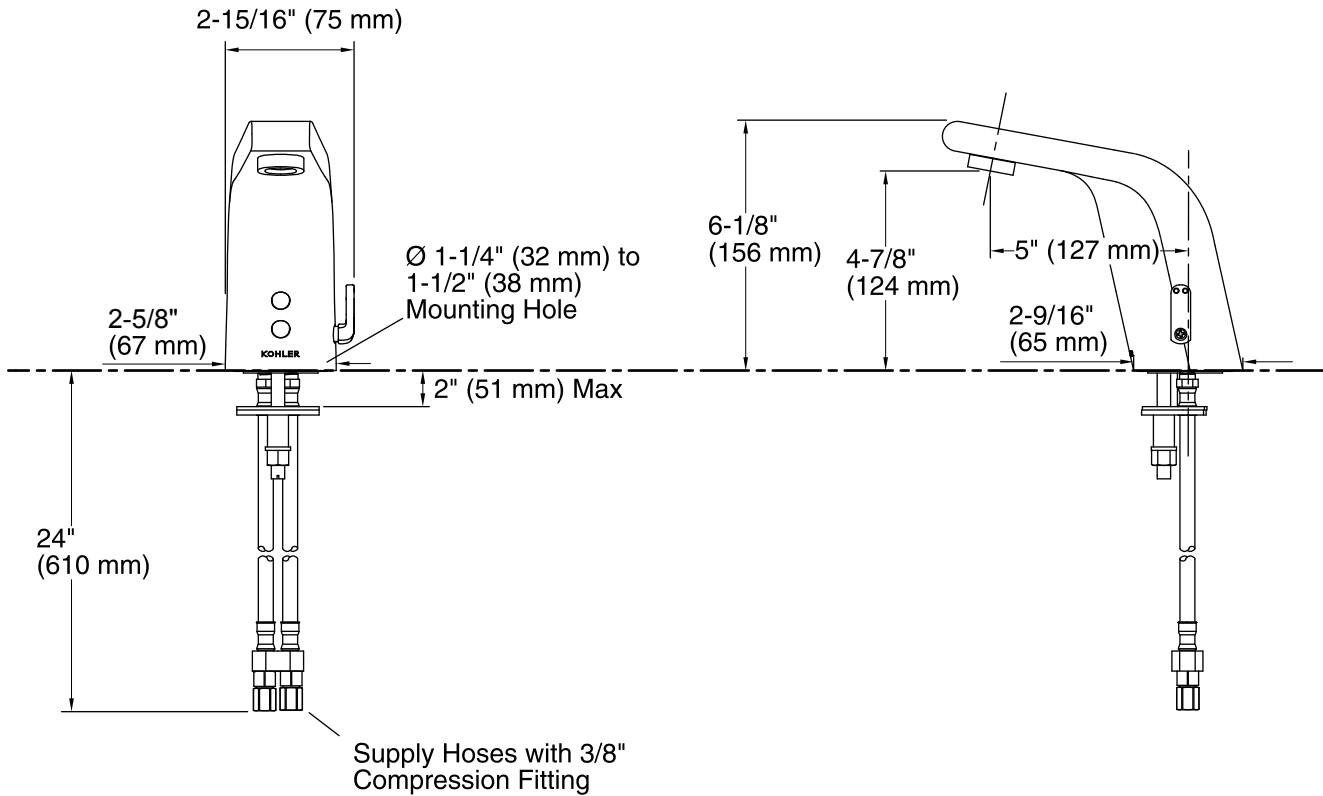
ICES-003

See website for detailed warranty information.

Product Specification

Electronic faucet shall be 5" (127 mm) spout reach and 4-7/8" (124 mm) spout height. Electronic faucet shall be made of brass construction.

Electronic faucet shall be less drain. Electronic faucet shall be with temperature mixer. Electronic faucet shall be single-hole installation. Electronic faucet shall be KOHLER Model K-13460.



Technical Information

All measurements are nominal.

Valve body:	Machined Brass
Faucet:	
Flow rate:	0.5 gal/min (1.9 l/min)
Power source:	AAA 1.5 V, included

Installation Notes

Install this product according to the installation guide.

A 1-1/4" (32 mm) minimum to 1-1/2" (38 mm) maximum diameter mounting hole is required.

The minimum distance between the back of the faucet spout and the wall must be 1-3/4" (44 mm). This will allow proper clearance for setscrew access.

The maximum distance between the bathroom sink basin edge to the base of the faucet spout must be 1-3/4" (44 mm).

The maximum height of the lip basin should be 3/4" (19 mm).

Product includes rosebud spray aerator. Other aerator styles are available.

ADA, OBC, CSA B651 compliant when installed to the specific requirements of these regulations.