

## Features

- Large single bowl.
- 10-inch depth provides generous workspace.
- No faucet holes.
- Includes bamboo cutting board, two multipurpose grated racks, colander, and wash bin.
- Three graduated ledges in basin allow you to place accessories at your preferred height.
- Accessories stack and slide on ledges for a custom arrangement.
- Medium size cutting board (10"x16") included with sink – covers 1/3 sink.
- Also available: Large size cutting board 21"x16" – covers 2/3 sink. (Sold separately # K-23680-NA)
- Beveled cone-shape basin slopes into drain, easily disposing debris.
- Includes installation hardware.

## Material

- Premium 18-gauge stainless steel.

## Installation

- Under-mount
- Minimum base cabinet width: 30"-33" (30" may require cabinet modifications).

## Recommended Products/Accessories

K-8801 Sink Strainer  
K-8799 Sink Strainer

## Optional Products/Accessories

K-11352 Disposal Flange with Stopper

## Included Components

Product consists of:

K-5541 Bamboo Cutting Board  
K-5544 Colander and Washbin  
K-5542 Multipurpose Grated Rack  
K-5542 Multipurpose Grated Rack

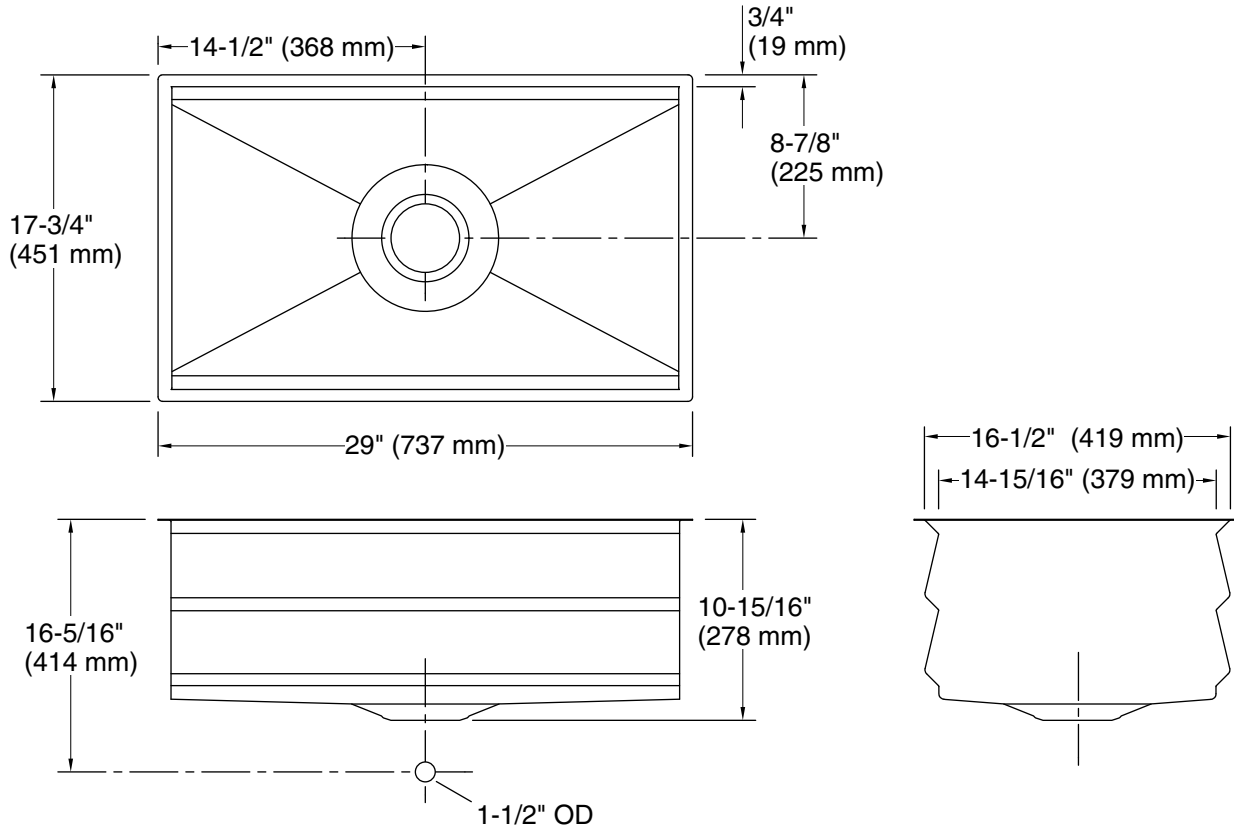


## Codes/Standards

ASME A112.19.3/CSA B45.4

## Lifetime Limited Warranty for KOHLER® Stainless Steel Sinks

See website for detailed warranty information.



## Technical Information

All product dimensions are nominal.

|                          |  |
|--------------------------|--|
| Installation:            | Under-mount  |
| Min. base cabinet width: | 33" (838 mm)   |
| Bowl area (Only):        | Length: 27-1/2" (699 mm)<br>Width: 14-15/16" (379 mm)<br>Bowl depth: 10" (253 mm)<br>Water depth: 10" (253 mm) |
| Drain hole:              | 3-3/4" (94 mm)   |
| Template:                | 1311446-7, required, included  |

## Notes

Install this product according to the installation instructions.

Countertop manufacturer or cutter must use the cut-out template provided with the product, or a current one provided by Kohler Co. (call 1-800-43-FOCUS). Kohler Co. is not responsible for cut-out errors when the incorrect cut-out template is used.