

Features

- Single lever handle allows for both volume and temperature control
- Includes pop-up drain with 1-1/4" (32 mm) tailpiece
- KOHLER ceramic disc valves exceed industry longevity standards for a lifetime of durable performance
- 1.2 gpm (4.5 lpm) maximum flow rate at 60 psi (4.14 bar)
- 7-1/8" (181 mm) spout reach
- Ideal for vessel sink applications
- Coordinates with Composed faucets, accessories, and showering components to complete your bathroom

Material

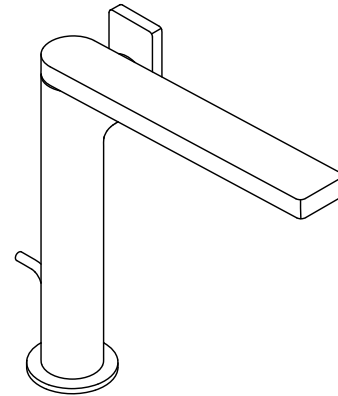
- Premium metal construction for durability and reliability
- KOHLER finishes resist corrosion and tarnishing

Installation

- Single-hole mounting
- Preattached flexible supply lines simplify installation

Recommended Products/Accessories

- K-23726 Drain treatment
- K-23723 Faucet cleaner
- K-73141 18" Towel Bar
- K-73142 24" Towel Bar
- K-73144 24" Double Towel Bar
- K-73145 towel arm
- K-73146 Double Robe Hook
- K-73147 Pivoting toilet paper holder
- K-73148 Vertical toilet paper holder



Codes/Standards

ASME A112.18.1/CSA B125.1
 NSF/ANSI/CAN 61
 NSF/ANSI/CAN 372
 All applicable US Federal and State material regulations
 DOE - Energy Policy Act 1992
 EPA WaterSense™
 California Energy Commission (CEC)
 ADA
 ICC/ANSI A117.1
 OBC

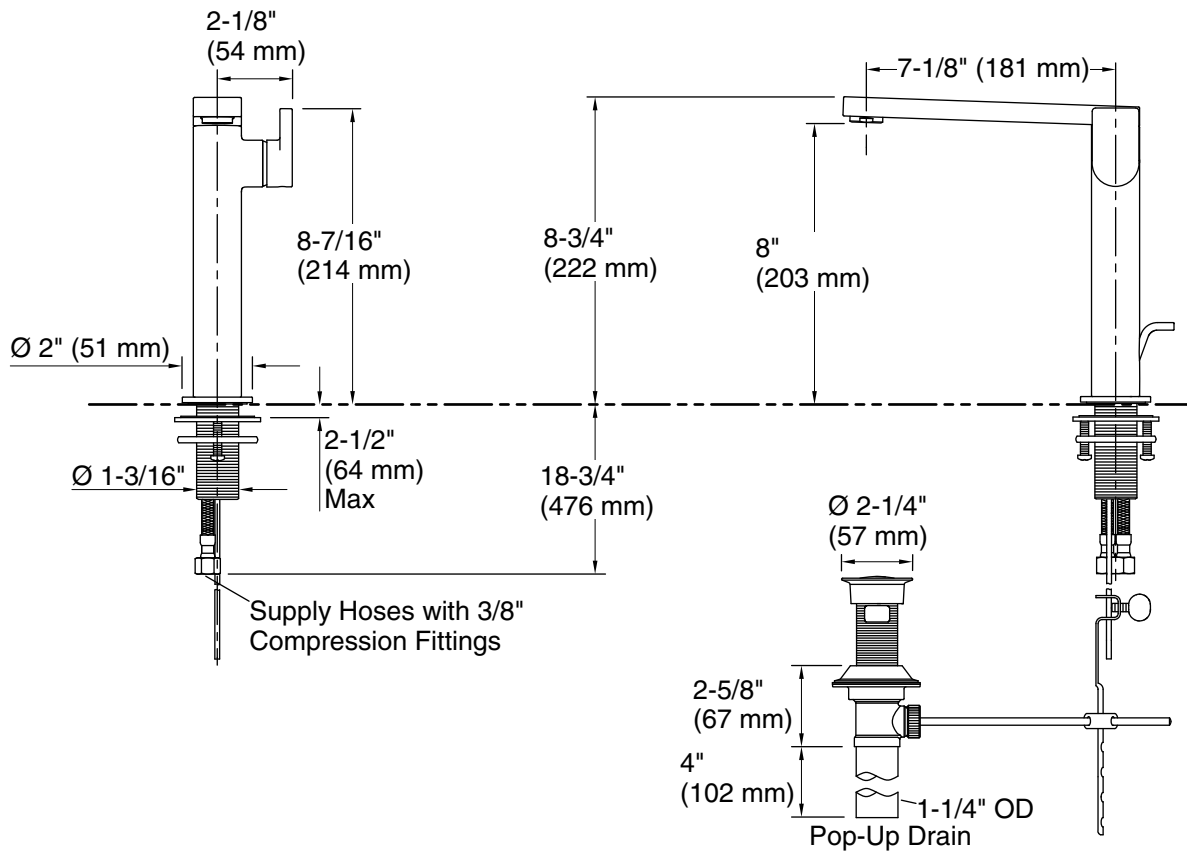
KOHLER® Faucet Lifetime Limited Warranty

See website for detailed warranty information.

Available Colors/Finishes

Color tiles intended for reference only.

Color	Code	Description
	CP	Polished Chrome
	BL	Matte Black
	2MB	Vibrant™ Brushed Moderne Brass
	TT	Vibrant Titanium



Technical Information

All product dimensions are nominal.

Faucet:

Flow rate: 1.2 gal/min (4.5 l/min)

Pressure: 60 psi (4.1 bar)

Drain with overflow: Yes

Sput:

Spout reach: 7-1/8" (181 mm)

Notes

Install this product according to the installation guide.

ADA compliant for handles only.

ADA, OBC compliant when installed to the specific requirements of these regulations.