

### Features

- Antiscald protection
- A single handle controls both on/off activation and temperature setting
- 6-1/16" (154 mm) diverter bath spout with slip-fit connection
- Includes single-function 1.75 gpm (6.6 lpm) showerhead
- MasterClean™ sprayface features an easy-to-clean surface that withstands mineral buildup and maximizes spray performance
- Box includes: Showerhead, shower arm and flange, faceplate with lever handle, diverter bath spout with 1/2" slip-fit connection
- Coordinates with other products in the Elate collection



### Material

- Premium material construction with metal handle ensures reliability and durability
- KOHLER finishes resist corrosion and tarnishing

### Installation

- Trim only; requires valve to complete installation (sold separately)

### Required Products/Accessories

- K-8304 Series Rite-Temp® Valve & Cartridge Kits
- or
- K-8300 Series Rite-Temp® Valve Body Rough-ins
- K-8305 Series Rite-Temp® Cartridges
- or
- K-8300 Series Rite-Temp® Valve Body Rough-ins (Qty 5)
- K-28305 Thermostatic cartridge
- or
- K-28304-K Thermostatic valve body and cartridge kit



### Codes/Standards

ASME A112.18.1/CSA B125.1  
DOE - Energy Policy Act 1992  
EPA WaterSense®  
California Energy Commission (CEC)  
NOM Standards  
NOM 008-CONAGUA

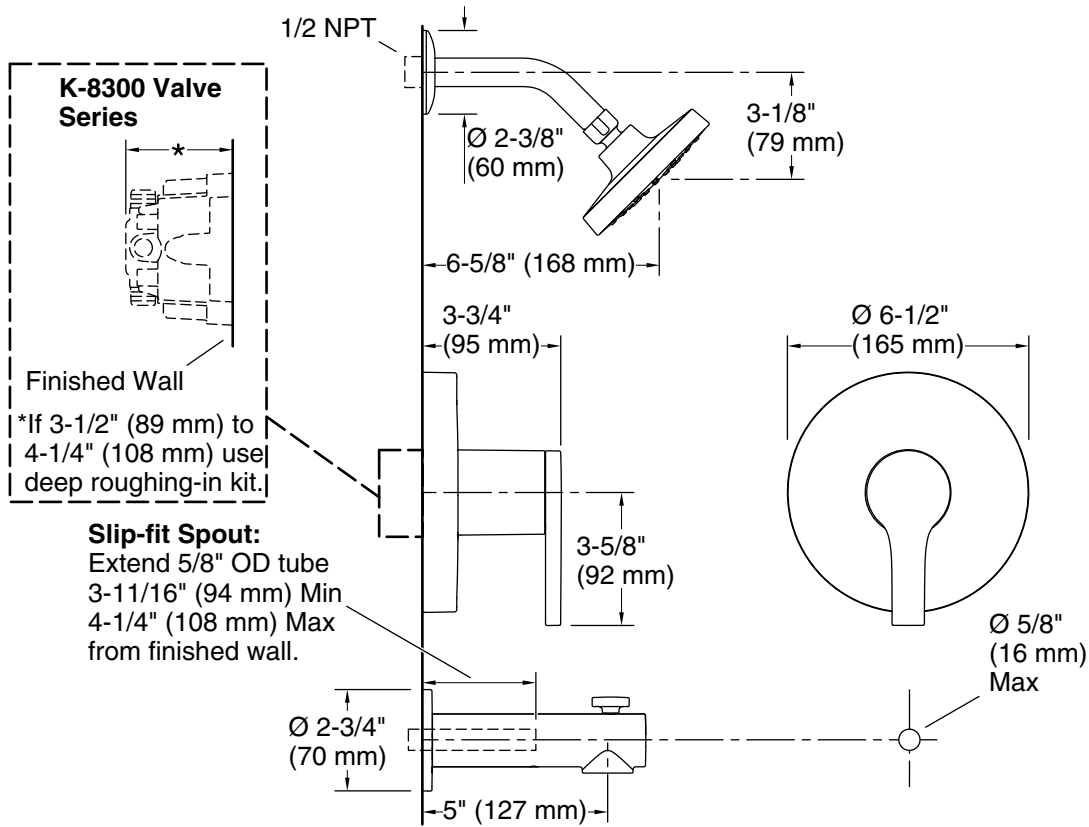
### KOHLER® Faucet Lifetime Limited Warranty

See website for detailed warranty information.

### Available Colors/Finishes

*Color tiles intended for reference only.*

Color	Code	Description
	CP	Polished Chrome
	BN	Vibrant® Brushed Nickel
	BL	Matte Black
	2MB	Vibrant® Brushed Moderne Brass



### Technical Information

All product dimensions are nominal.

#### Spout:

Spout reach: 5" (127 mm)

Handshower rated max flow: 1.75 gal/min (6.6 l/min)

Shower/Rainhead rated max flow: 1.75 gal/min (6.6 l/min)

### Notes

Install this product according to the installation guide.

Cap the shower outlet if the deck-mounted spout, diverter, or hand shower is connected to the spout outlet.

Install straight pipe or tube drop of 7" (178 mm) to 18" (457 mm) with single elbow between the valve and the wall-mount spout.