



Figure # 5595F

Brass Ball Valve

Product Features

- 150# WSP / 600# WOG
- Forged Brass Body
- Full Port
- Adjustable Packing
- Solder Ends
- Blow-Out Proof Stem
- NSF61-8 Certified



Certified to
ANSI/NSF 61



Pressure/Temperature Rating	
600 PSI from 15°F to 160°F	150 PSI MAX at 366°F

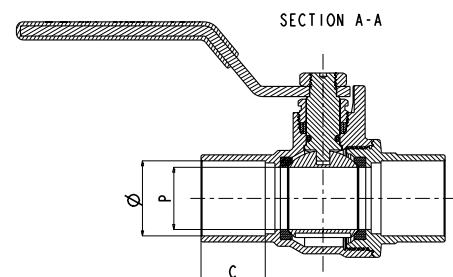
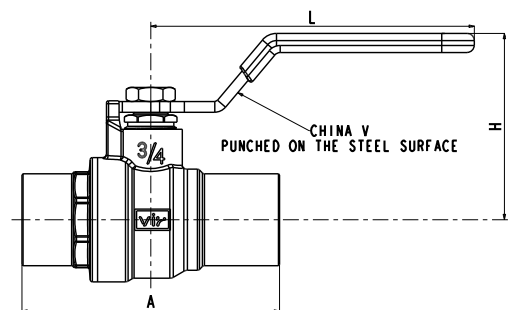
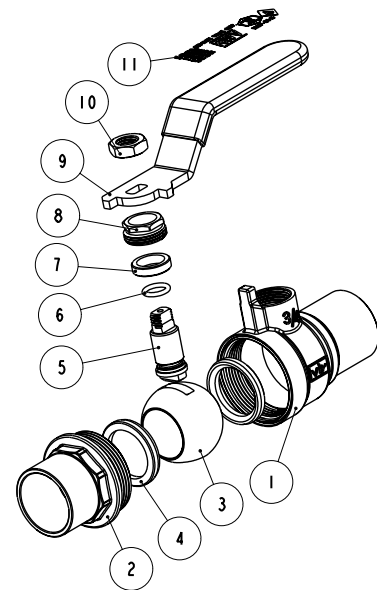
Connection Working Pressure			
Solder used in joints	Working Temp deg. °F	Maximum working pressure (PSI)	
		3/8" - 1"	1-1/4" -2"
95-5 Tin	100	500	400
Antimony	150	400	350
(ASTM B32 grade 95TA)	200	300	250
	250	200	175

Materials & Specifications

Item	Description	Material	Specification
1	Body	Brass	B283 C37700
2	End piece	Brass	B283 C37700
3	Ball	Brass/Chrome Plated	B283 C37700
4	Seat	PTFE	PTFE
5	Stem	Brass	B124 C37700
6	O-ring	FKM	FKM
7	Packing	PTFE	PTFE
8	Packing nut	Brass	B124 C37700
9	Handle	Dacromet Steel	A36 Dacromet
10	Handle nut	Zinc Plated Steel	A36
11	Valve info	-	-

Dimensions, Weights (inches-lbs.) & Valve Data

Size	1/2	3/4	1	1-1/4	1-1/2	2
∅	0.627-0.631	0.877-0.881	1.128-1.131	1.378-1.381	1.628-1.632	2.128-2.132
A	2.13	2.87	3.39	3.90	4.53	5.51
C	0.51	0.75	0.91	0.98	1.09	1.34
H	2.11	2.24	2.56	2.78	3.27	3.57
L	3.60	3.60	4.98	4.98	5.57	5.57
P	0.59	0.79	0.98	1.26	1.57	1.97
Cv	15	30	60	110	130	360
Wt	0.38	0.56	0.97	1.23	1.80	2.95



RED-WHITE VALVE CORP.

20600 Regency Lane, Lake Forest, CA 92630

TEL: 949.859.1010 • FAX: 949.859.7200 • www.redwhitevalvecorp.com