



Veil® Tall

Vessel/pedestal bathroom sink basin
K-20703

Features

- Round basin.
- Unique tall design creates a striking vessel installation on a low-profile vanity.
- Can be combined with the K-20702 Veil pedestal to create the K-20701 Veil pedestal sink.
- No faucet holes; requires wall- or counter-mount faucet.
- Overflow drain.
- Innovative Supramic technology provides superior strength and ultra-thin edge profiles.
- Includes color-matched overflow cap and color-matched brass drain cover.
- Drain extension included for ease of installation.
- Coordinates with other products in the Veil collection.

Material

- Fireclay with Supramic technology.

Installation

- Vessel or pedestal.

Required Products/Accessories

For above-counter installation

K-7114-A Pop-Up Drain

K-7124-A Pop-Up Clicker Drain

K-7126 Standard pop-up drain, non-exposed, with lift rod

Recommended Products/Accessories

K-9018 P-Trap

K-20702 Pedestal Bathroom Sink

K-23726 Drain treatment

K-23725 Cast iron cleaner

Included Components

Additional Components:

1311408-* Overflow Cover

1331521-* Drain Cover Kit



Codes/Standards

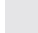



ASME A112.19.2/CSA B45.1

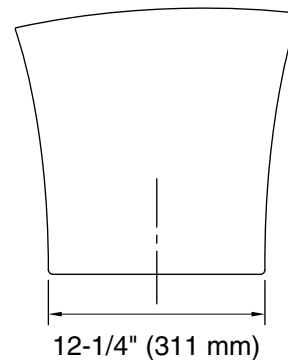
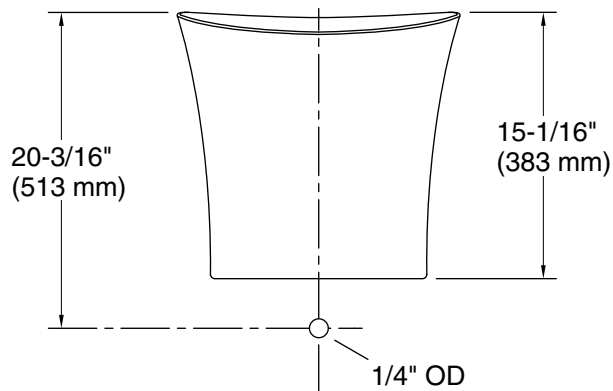
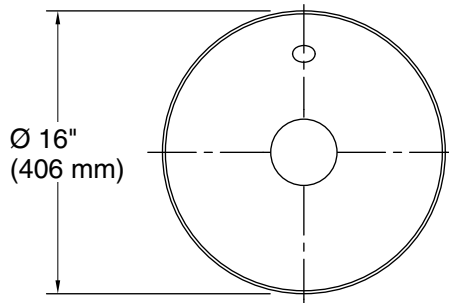
KOHLER® One-Year Limited Warranty

See website for detailed warranty information.

Available Colors/Finishes

Color tiles intended for reference only.

Color	Code	Description
	0	White
	96	Biscuit
	NY	Dune
	7	Black Black™



Technical Information

All product dimensions are nominal.

Installation: Vessel, Pedestal

Drain hole: 1-3/4" (44 mm)

Notes

Install this product according to the installation instructions.

IMPORTANT! This installation requires a wall-mounted faucet. In areas with subfreezing winter temperatures, plan to install this product to an interior wall to protect the water supply and drain lines from freezing.