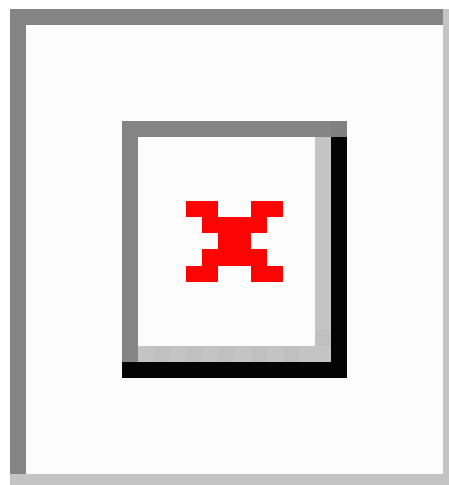


Features

- Easily mounts on the end of your showerarm.
- Brass ball joint pivots to angle handshower
- Fits most standard handshower hoses and handshowers.

Material

- KOHLER finishes resist corrosion and tarnishing.



For complete listing of available colors, go to kohler.com.

Codes/Standards

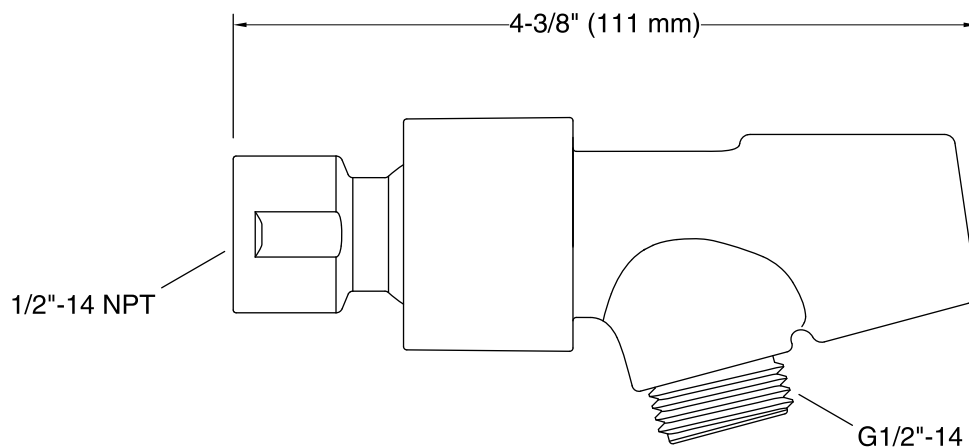
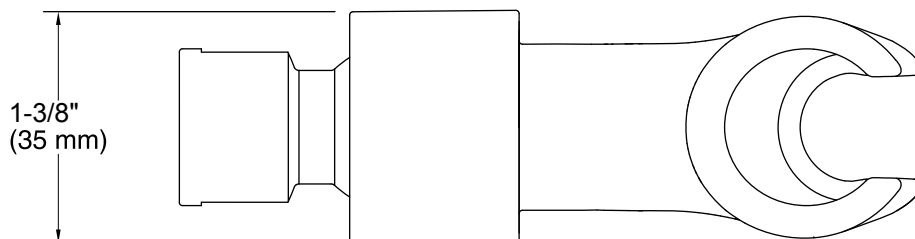
ASME A112.18.1/CSA B125.1

Kohler Faucet Lifetime Limited Warranty

See website for detailed warranty information.

Product Specification

Shall easily mount on the shower arm and fit most standard handshower hoses and handshowers. The handshower cradle shall pivot to angle the handshower and be corrosion resistant. The handshower cradle shall be 4-3/8" (111 mm) x 1-3/8" (35 mm). Handshower cradle shall be Kohler Model K-98771.



Installation Notes

Install this product according to the installation guide.