

Features

- The Awaken handshower features a contemporary design
- Three spray functions and ADA-compliant nonpositive shutoff
- Thumb tab allows for a smooth transition between sprays
- MasterClean™ sprayface features an easy-to-clean surface that withstands mineral buildup
- 36" (914 mm) metal slidebar

Material

- KOHLER finishes resist corrosion and tarnishing
- Premium metal constructed slidebar and shower hose

Installation

- Adjustable mounting brackets provide flexibility on wall-mount installations

Water Conservation & Rebates

- This product can help a building earn Water Efficiency points in LEED® Green Building Rating System

Recommended Products/Accessories

K-23723 Faucet cleaner

Optional Products/Accessories

K-98350 wall-mount supply elbow

K-98351 wall-mount supply elbow with check valve

Included Components

Additional Components:

60-inch MasterShower® metal hose



Codes/Standards

ASME A112.18.1/CSA B125.1

DOE - Energy Policy Act 1992

EPA WaterSense®

California Energy Commission (CEC)

ADA



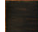


ICC/ANSI A117.1

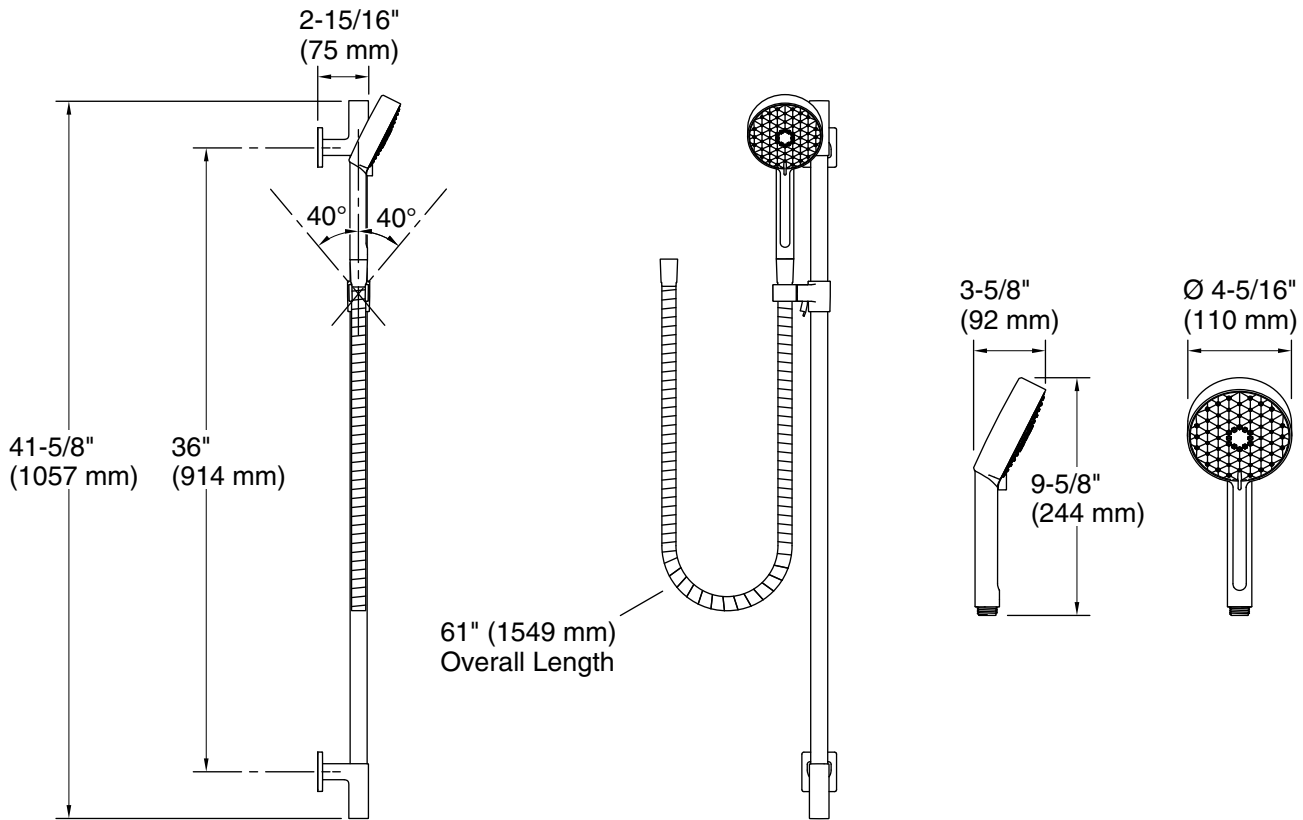
KOHLER® Faucet Lifetime Limited Warranty

See website for detailed warranty information.

Available Colors/Finishes

Color tiles intended for reference only.

Color	Code	Description
	CP	Polished Chrome
	BN	Vibrant® Brushed Nickel
	2BZ	Oil-Rubbed Bronze
	BL	Matte Black
	2MB	Vibrant® Brushed Moderne Brass



Technical Information

All product dimensions are nominal.

Handshower:

Rated maximum flow: 1.75 gal/min (6.6 l/min)

Notes

Install this product according to the installation instructions.

Plumbing codes require approved backflow prevention devices to be installed in-line to handshowers. Please consult with local plumbing officials.

Mount the slidebar to stud framing or install backing support. For tile or other solid finish surfaces: Pre-drill mounting holes through surface material only; do not drill into the stud. For drywall surface: No pre-drill is required.

ADA compliant when installed to the specific requirements of these regulations.