



Replacement parts

⚠️ WARNING DO NOT SERVICE THE BOILER WITHOUT A MAINTENANCE KIT EVG AVAILABLE

The maintenance kit includes components that may have to be replaced when accessing or disassembling parts of the boiler. Failure to replace damaged components and to use only the parts specifically intended for the boiler can result in severe personal injury, death or substantial property damage. See Figure 105, page 121 for part number.

REPLACEMENT PART NUMBERS

Weil-McLain part numbers are found in this manual and in *Weil-McLain Boilers and Controls Repair Parts Lists*.

WHEN OPERATING THE BOILER ON PROPANE GAS

⚠️ WARNING ALL Evergreen® boilers must be converted in order to operate with propane gas.

Figure 104 Propane conversion kits and instructions

Boiler model	Kit part number	Installation instructions
EVG 110	540-131-088	See page 14
EVG 155	540-202-839	See page 16

⚠️ WARNING Failure to adhere to these guidelines can result in severe personal injury, death or substantial property damage.

OBTAIN PARTS ONLY THROUGH WEIL-McLAIN

Replacement parts must be purchased through a local Weil-McLain distributor. When ordering, specify boiler model and size and include description and part number of replacement part. Results from using modified or other manufactured parts will not be covered by warranty and may damage boiler or impair operation.

THE BOILER CONTAINS CERAMIC FIBER MATERIALS

The boiler contains ceramic fiber materials. Use care when handling these materials per instructions on [page 98](#) of this manual. Failure to comply could result in severe personal injury.

REINSTALL Jacket door

Inspect boiler jacket door gaskets on front of cabinet and reinstall boiler jacket door after start or servicing. The boiler jacket door must be securely fastened to the boiler to prevent boiler from drawing air from inside the boiler room. This is particularly important if the boiler is located in the same room as other appliances. Failure to keep the jacket door securely fastened could result in severe personal injury or death.

BEFORE SERVICING or MAKING CONNECTIONS —

ALWAYS TURN POWER OFF TO THE BOILER TO PREVENT ELECTRICAL SURGES, WHICH CAN DAMAGE BOILER COMPONENTS.

LABEL WIRES BEFORE REMOVING

⚠️ CAUTION Label all wires prior to disconnection when servicing controls. Wiring errors can cause improper and dangerous operation.



Replacement parts *(continued)*

Figure 105 Miscellaneous parts and kits

Description	Part Number	Description	Part Number
CHEMICALS			
Antifreeze, Sentinel X500, 1 Gallon	592-900-029	PVC concentric vent kit — horizontal or vertical (includes components for concentric assembly) Kit for 3" PVC vent and air pipes.	383-500-350
Corrosion inhibitor, Sentinel X100	592-900-002	Bird screens (1 screen each) For 3" PVC vent and air pipes	383-500-105
Sentinel X100 Quick Test Kit.	592-900-005		
Cleaner, Sentinel X400	592-900-003		
BOILER ACCESSORIES		VENT/AIR PARTS AND KITS (POLYPROPYLENE PIPE) available from M&G Simpson-Duravent ONLY	
EVG 110 maintenance kit — igniter, igniter gasket, venturi gasket, cover plate gasket, venturi-gas valve o-ring, refractory, silicone, inhibitor test kit, clips and manuals	383-700-243	M&G Simpson-Duravent PolyPro SIDEWALL concentric vent/air kit (color: white) 3" polypropylene pipe	3PPS-HK
EVG 155 maintenance kit — igniter, igniter gasket, venturi gasket, cover plate gasket, venturi-gas valve o-ring, refractory, silicone, inhibitor test kit, clips and manuals	383-700-200	M&G Simpson-Duravent PolyPro VERTICAL concentric vent/air kit; color = black (part number shown) or terra cotta (add -TC suffix) 3" polypropylene pipe	3PPS-VK
Condensate trap kit (supplied with boiler) — condensate trap assembly and flexible line	560-907-722	M&G Simpson-Duravent PolyPro SIDEWALL separate air and vent pipes 3" polypropylene pipe	3PPS-HTP
CONDENSATE HANDLING ACCESSORIES		M&G Simpson-Duravent PolyPro Polypropylene pipe appliance adapter 3" 3PPS-03PVC-3PPF	
Condensate neutralizer kit	383-500-631	VENT/AIR PARTS AND KITS (POLYPROPYLENE PIPE) available from Centrotherm Eco Systems ONLY	
VENT/AIR PARTS AND KITS (PVC or STAINLESS STEEL) available from Weil-McLain		Centrotherm INNOFLUE SIDEWALL concentric vent/air kit 3" polypropylene pipe 3" stainless steel/pp pipe	ICWT352 ICWS3513
Weil-McLain Direct Exhaust Venting Kit Includes interior/exterior intake/exhaust plates, vent screens, templates and mounting hardware	383-500-778	Centrotherm INNOFLUE VERTICAL concentric vent/air kit 3" polypropylene pipe	ICRT3539
Weil-McLain sidewall vent/air cap termination kit for PVC vent and air pipes Includes sidewall vent/air termination cap, inside and outside cover plates, and mounting hardware; openings are sized for 3" PVC pipe	383-500-397	Centrotherm INNOFLUE Polypropylene pipe appliance adapter 3" ISAAL0303	
Weil-McLain sidewall vent/air cap termination kit for AL29-4C vent pipe and PVC air pipe Includes sidewall vent/air termination cap, inside and outside cover plates, and mounting hardware; openings are sized for 3" SS vent pipe and 3" PVC air pipe	382-200-430		
Sidewall separate pipes vent/air termination kits (includes two cover plates) Kit for 3" PVC vent and air pipes. Kit for 3" AL29-4C SS vent pipe and PVC air pipe	383-500-100 383-700-172		

Go to www.weil-mclain.com to locate Weil-McLain distributors



Replacement parts *(continued)*

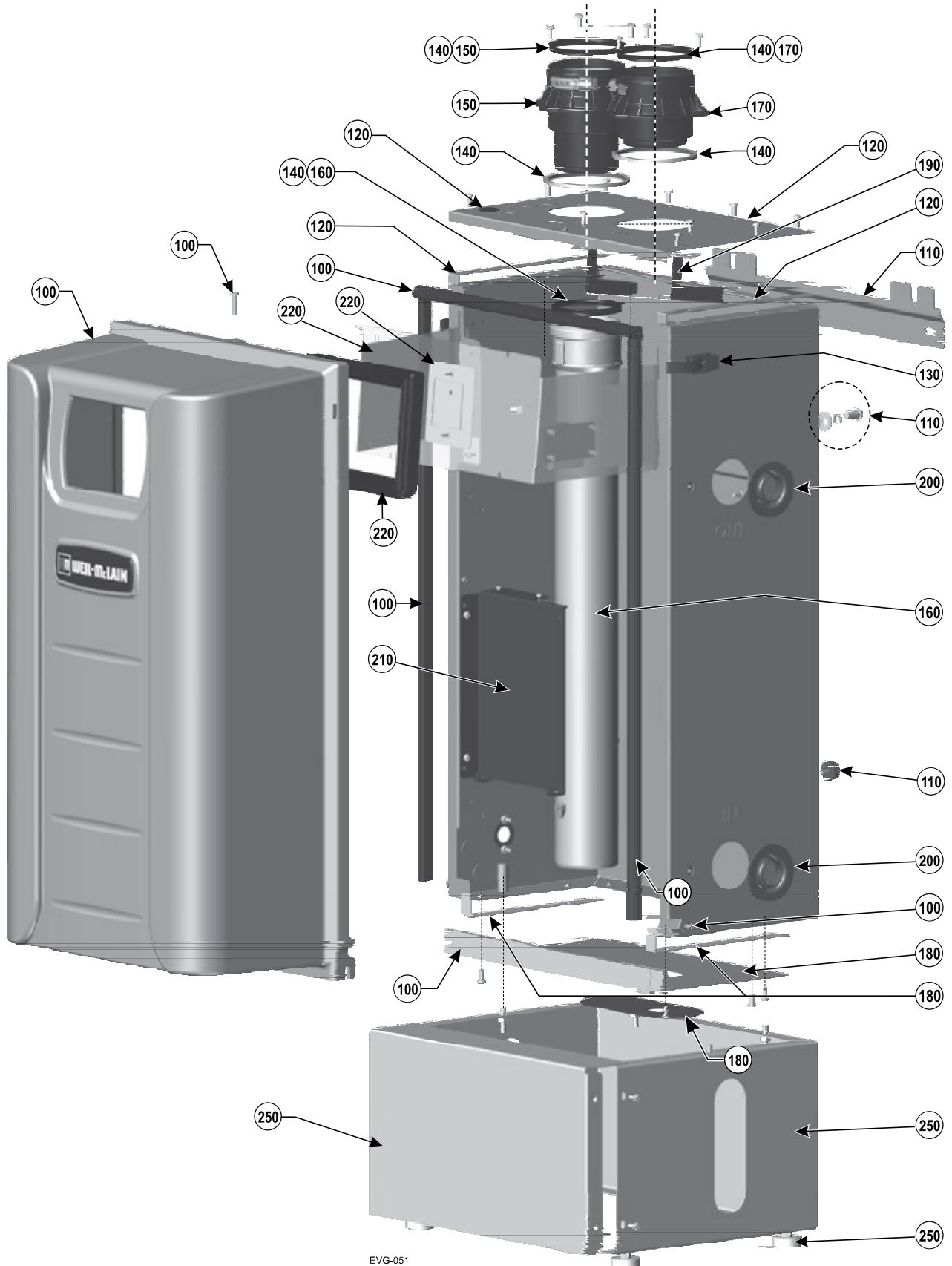
Figure 106 Jacket parts — **EVG 110/155** (see [Figure 107, page 123](#) for illustration)

Item	Name	Description / contents	Part Number
100	Jacket door kit	Jacket door, labels, seals, and screws	383-900-170
110	Wall-mount bracket and bumper kit (wall and boiler side)	Bracket, hardware, and bumpers	383-900-164
120	Jacket upper panel kit	Jacket upper panel, gaskets, and hole plug	383-900-165
130	Door latch (2 required)	Includes rivets	383-700-122
140	Flue pipe gasket kit	Gaskets fit internal flue pipe to adapter, pipe adapter to cabinet, pipe adapter to system pipe	590-900-167
150	Flue pipe adapter	Top flue adapter with internal gasket	560-907-719
160	Boiler flue pipe	Internal flue pipe and gasket	560-907-720
170	Air inlet adapter	Top air inlet adapter with internal gasket	560-907-718
180	Jacket bottom panel kit	Jacket bottom panel, gasket and screws	383-900-103
190	Air baffle and screws	Air baffle and screws	383-800-223
200	Pipe grommet	Seals water pipes to cabinet	562-248-740
210	Control/transformer bracket	Bracket to mount control module and transformer	383-800-228
220	Display bracket kit	Display board bracket and gaskets	383-900-168
230	Condensate bracket 110 (not shown)	Bracket and plastic rivets	383-700-238
240	Condensate bracket 155 (not shown)	Bracket and plastic rivets	383-700-239
250	Floor stand assembly	Floor stand and leveling legs	383-900-106



Replacement parts *(continued)*

Figure 107 Jacket assembly — **EVG 110/155** (see Figure 106, page 122 for part numbers)



EVG-051

Go to www.weil-mclain.com to locate Weil-McLain distributors



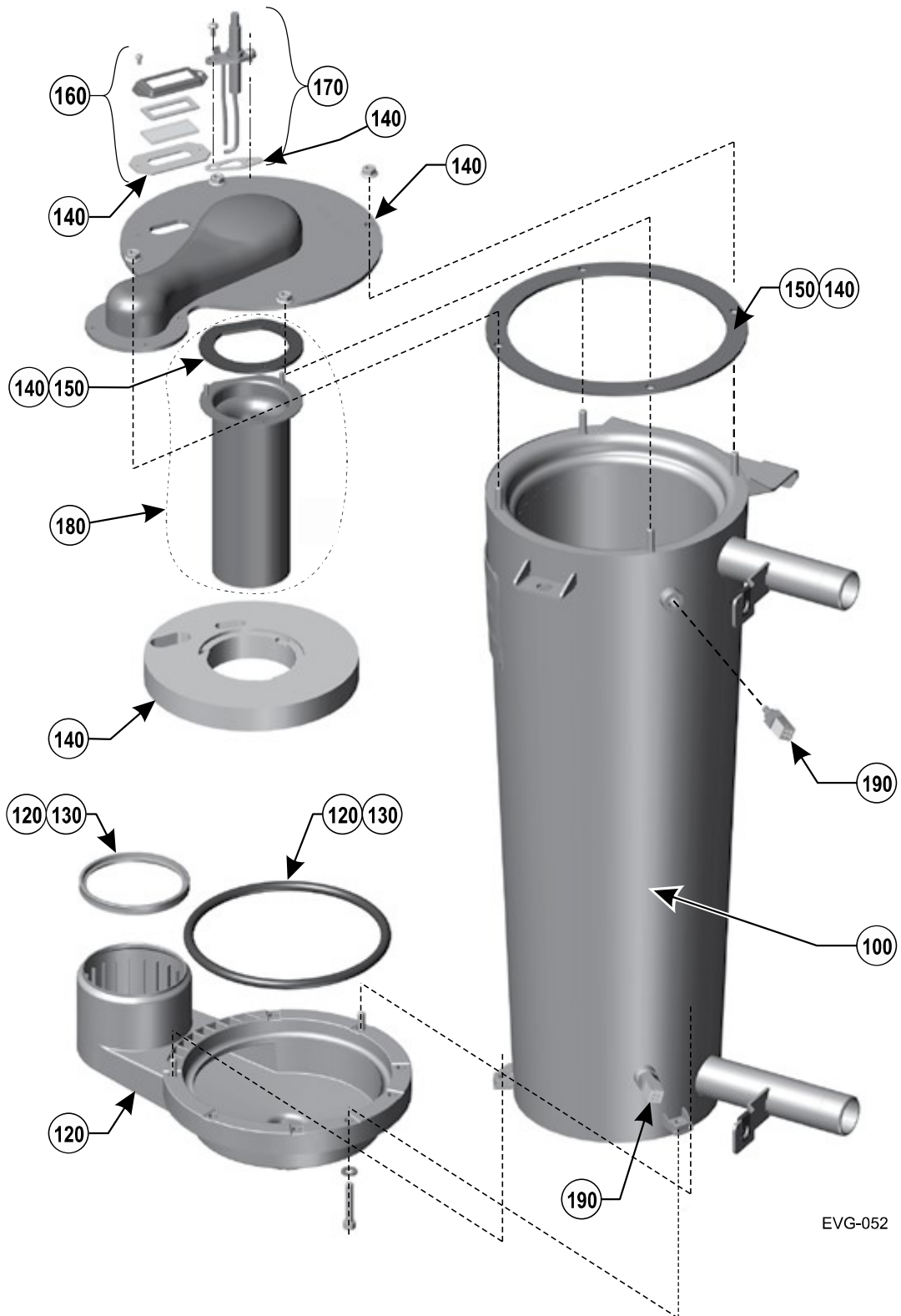
Replacement parts *(continued)*

Figure 108 Heat exchanger parts **EVG 110** (see [Figure 109, page 125](#) for illustration)

Item	Name	Part Number
100	Heat exchanger	383-800-238
110	Heat exchanger, condensate dish, cover plate, burner, igniter, sight glass, refractory, water sensors, gaskets, silicone, and hardware (includes items 100, 120, 130, 140, 160, 170, and 190)	383-800-239
120	Condensate dish, gaskets, and hardware	383-700-102
130	Gasket to seal heat exchanger to condensate dish and seal condensate dish to internal flue pipe	383-700-103
140	Heat exchanger cover plate, refractory, silicone, and gaskets	383-800-240
150	Cover plate gasket (exchanger to gasket) and burner gasket	383-700-342
160	Sight glass kit (bracket, glass, gaskets, and hardware)	383-700-185
170	Igniter kit (igniter, gasket and screws)	383-700-245
180	Burner, gasket, and hardware (includes item 190)	383-700-246
190	Heat exchanger water temperature sensor (one sensor for either boiler inlet or outlet water temperature)	511-724-296

Replacement parts *(continued)*

Figure 109 Heat exchanger assembly **EVG 110** (see Figure 108, page 124 for part numbers)





Replacement parts *(continued)*

Figure 110 Heat exchanger parts **EVG 155** (see [Figure 111, page 127](#) for illustration)

Item	Name	Part Number
100	Heat exchanger	383-800-231
110	Heat exchanger, condensate dish, cover plate, burner, igniter, sight glass, refractory, water sensors, gaskets, silicone, and hardware (includes items 100, 120, 130, 140, 150, 160, 170, 180, and 210)	383-800-233
120	Boiler inlet temperature sensor	511-724-296
130	Boiler outlet temperature sensor (same as item 120)	
140	Condensate dish, gaskets, and hardware	383-700-181
150	Gasket to seal heat exchanger to condensate dish	383-700-347
	Gasket to seal condensate dish to internal flue pipe	
160	Heat exchanger cover plate, refractory and gaskets (includes items 170, and 190)	383-700-184
170	Refractory insulation & silicone sealant	383-700-182
180	Burner, gasket, and hardware	383-700-183
190	Burner access cover, gasket and hardware	383-700-202
200	Igniter kit (igniter, gasket and screws)	383-700-187
210	Sight glass kit (bracket, glass, gaskets, and hardware)	383-700-185
220	Heat exchanger cover plate gasket set	383-700-207

Replacement parts *(continued)*

Figure 111 Heat exchanger assembly **EVG 155** (see [Figure 110](#), page 126 for part numbers)



EVG-152



Replacement parts *(continued)*

Figure 112 Combustion components for **EVG 110** (see [Figure 114, page 129](#) for illustration)

Item	Name	Description / contents	Part Number
100	Relief valve	30 PSIG relief valve — shipped loose for field installation	383-500-095
110	Pressure & temperature gauge	Shipped loose for field installation	380-000-000
200	Air inlet silencer	Silencer	383-700-248
220	Blower	Blower and gasket	383-700-157
	Blower, venturi & gas valve assembly	Blower, venturi, gas valve and blower gasket	383-700-249
250	Gas valve	Gas valve, rubber boot, and screws	383-700-259
270	Gas valve adapter block	Threaded block, o-ring, and screws	563-910-031
271	Gas flex line adapter	NPT to flare adapter	562-302-576
273	Adapter block O-ring	(10 O-rings) (not shown)	383-600-009
280	Propane orifice — boilers converted to propane ONLY — available only with propane conversion kit — see Figure 104, page 120 for information		—
290	Gas flex line	Gas line, seal, and hardware	383-800-241
295	Gas pipe flange gasket	Gasket gas flex line to cabinet	590-300-027

Figure 113 Combustion components for **EVG 155** (see [Figure 114, page 129](#) for illustration)

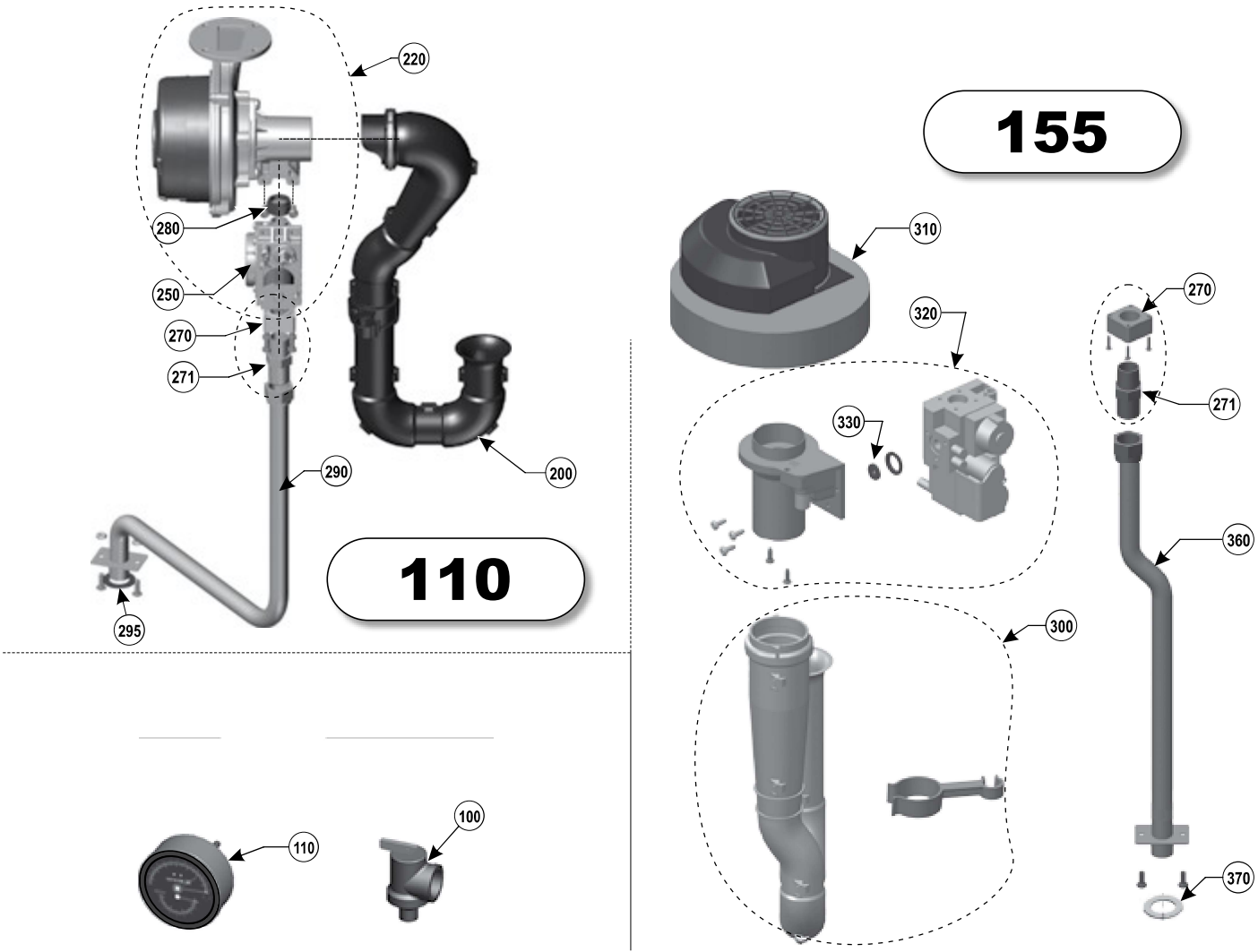
Item	Name	Description / contents	Part Number
100	Relief valve	30 PSIG relief valve — shipped loose for field installation	383-500-095
110	Pressure & temperature gauge	Shipped loose for field installation	380-000-000
270	Gas valve adapter block	Threaded block, o-ring, and screws	563-910-031
271	Gas flex line adapter	NPT to flare adapter	562-302-576
273	Adapter block O-ring	(10 O-rings) (not shown)	383-600-009
300	Air inlet silencer	Silencer with gasket and clip	383-700-203
310	Blower	Blower	383-700-195
320	Gas valve/venturi assembly	Gas valve, venturi, gasket and hardware	383-700-196
330	Propane orifice — boilers converted to propane ONLY — available only with propane conversion kit — see Figure 104, page 120 for information		—
360	Gas flex line	Gas pipe and hardware	383-800-241
370	Gas pipe flange gasket	Gasket, gas flex line to cabinet	590-300-027

Go to www.weil-mclain.com to locate Weil-McLain distributors



Replacement parts *(continued)*

Figure 114 Combustion components for **EVG 110 /155**(see [Figure 112, page 128](#) for part numbers)



EVG-053



Replacement parts *(continued)*

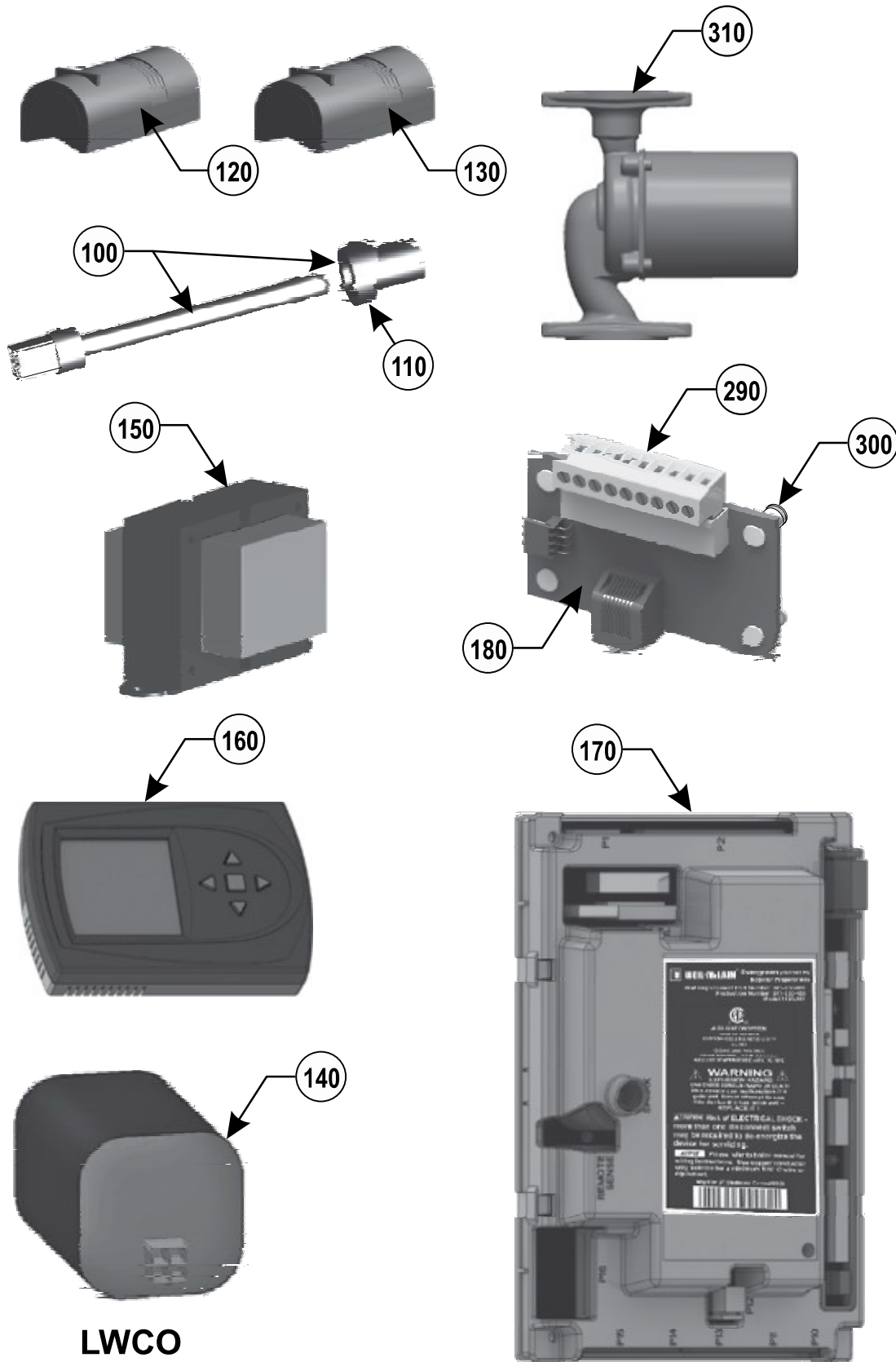
Figure 115 Controls and electrical components — **EVG 110/155** (see [Figure 116, page 131](#) for illustration)

Item	Name	Description / contents	Part Number
100	Flue temperature sensor & grommet	One sensor & grommet	383-500-600
110	Grommet - Flue temperature sensor	One grommet	590-318-011
120	Outdoor temperature sensor	One sensor	510-312-218
130	System temperature sensor	One sensor	383-500-601
140	Low water cut-off		511-100-005
150	Transformer 120V/24V	50 VA transformer	383-500-628
160	Display board assembly	Includes circuit board and plastic housing	383-900-108
170	Control module assembly	Control module and housing	381-330-037
180	Communication board	One board	383-900-110
190	Wire harness — line voltage (not shown)	Wire harness (EVG 110)	591-392-044
		Wire harness (EVG 155)	591-392-043
200	Wire harness — low voltage (not shown)	Wire harness (EVG 110)	591-392-045
		Wire harness (EVG 155)	591-392-046
210	Wire harness — Low voltage communication board (not shown)	Connects communication board to control module	591-392-004
220	Wire harness — Communication Ethernet (not shown)		591-392-009
230	Ignition cable (not shown)	Ignition cable	591-392-012
240	F1 - 3 amp, fast blow ato (5 fuses) (not shown here — see Figure 92, page 105)	Five Fuses	383-500-603
250	F2 - 12 amp, fast-blow ag (5 fuses) (not shown here — see Figure 92, page 105)	Five Fuses	383-500-604
260	Jumper for low voltage terminal blocks (not shown)	Five Jumpers	383-500-641
270	Connector electrical control (not shown)	Includes 8 connectors	383-900-111
280	Low voltage sealed wire grommet (not shown)	Seals thermostat wire at entrance to cabinet	562-248-771
290	Communication board terminal block		512-050-248
300	Communication board standoffs	Includes 4 stand offs	383-900-112
310	Circulator Evergreen 110	007e	511-405-153
	Circulator Evergreen 155	0015e	511-140-155



Replacement parts *(continued)*

Figure 116 Controls and electrical assemblies — **EVG 110/155** (see Figure 115, page 130 for part numbers)



**LWCO
(Standard Equipment)**

EVG-154

Go to www.weil-mclain.com to locate Weil-McLain distributors