



Southaven®

Top-mount Kitchen Sink

11403-4

Features

- Rectangular bowl.
- Four faucet holes.
- Satin deck and luster bowl finishes.
- Includes SilentShield® sound-absorption system.
- 11403-4 = single pack.
- F11403-4 = 40 per pack.
- 25" (635 mm) x 22" (559 mm) x 6-1/2" (165 mm)

Material

- 20-gauge stainless steel.

Installation

- Top-mount.

Components

Product includes:

1150001 Installation Clips



ADA

Codes/Standards

ASME A112.19.3/CSA B45.4

ADA

ICC/ANSI A117.1

STERLING® Warranty - Stainless Steel Sinks

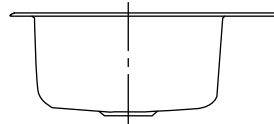
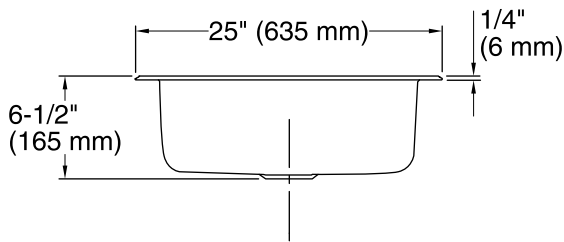
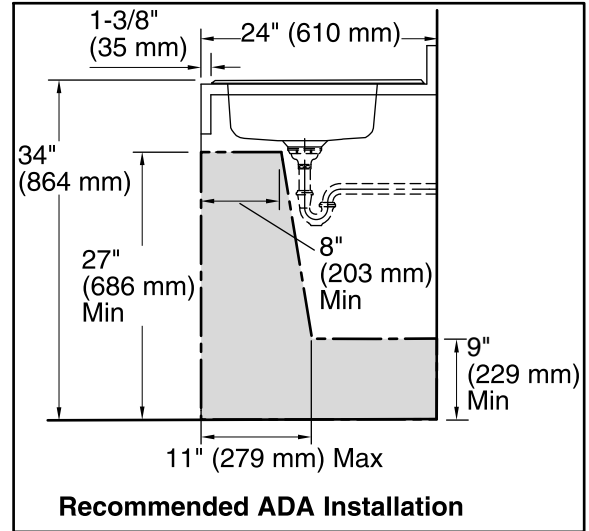
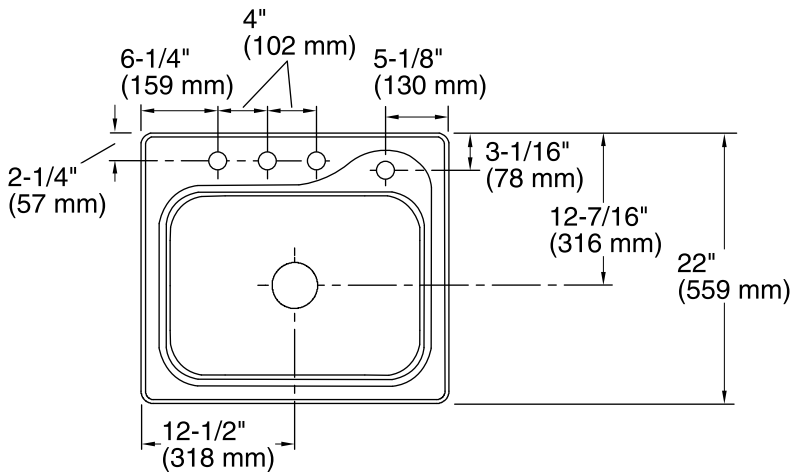
See website for detailed warranty information.

USA/Canada: 1-800-STERLING (1-800-783-7546)

Kohler Co. reserves the right to make revisions without notice to product specifications.

For the most current Specification Sheet, go to www.sterlingplumbing.com.

10-3-2016 03:07



Technical Information

All product dimensions are nominal.

Bowl configuration:	Single
Installation:	Top-mount
Cutout:	Top-mount, 24-1/2" x 21-1/2" (622 mm x 546 mm) with 3/4" (19 mm) radius corners
Min. base cabinet width:	27" (686 mm)
Bowl area (Only)	Length: 21" (533 mm) Width: 15-1/4" (387 mm) Bowl depth: 6-1/2" (165 mm) Water depth: 6-1/2" (165 mm)
Number of deck holes:	4
Faucet hole(s):	1-7/16" (37 mm)
Drain hole:	3-5/8" (92 mm)
Template:	1032928-7, not required, not included

Notes

Install this product according to the installation instructions.

Measure your actual product for roughing-in details.

ADA compliant when installed to the specific requirements of these regulations.