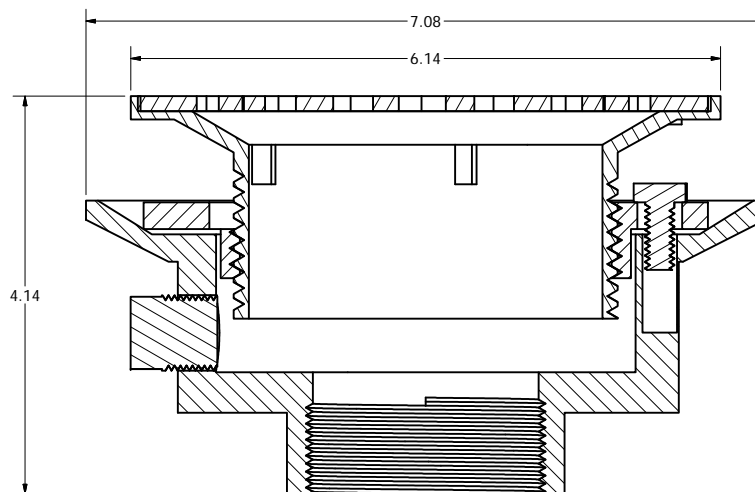
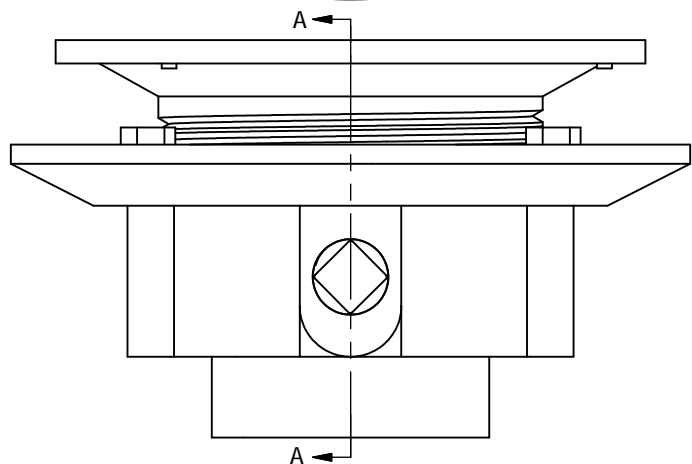
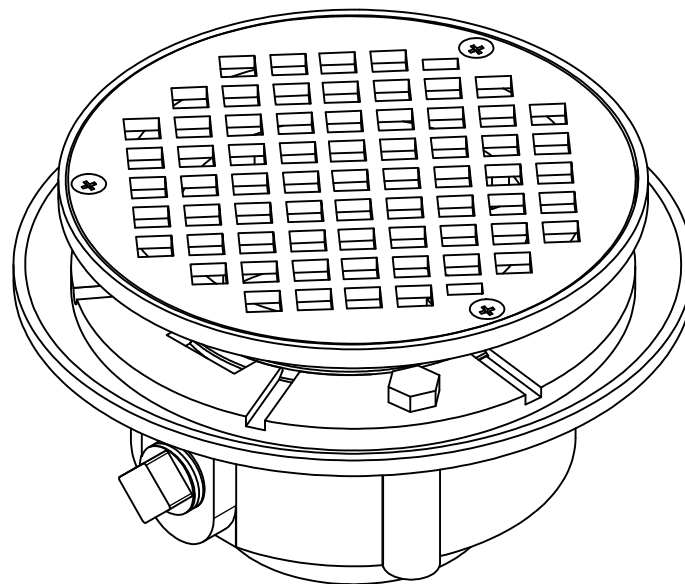
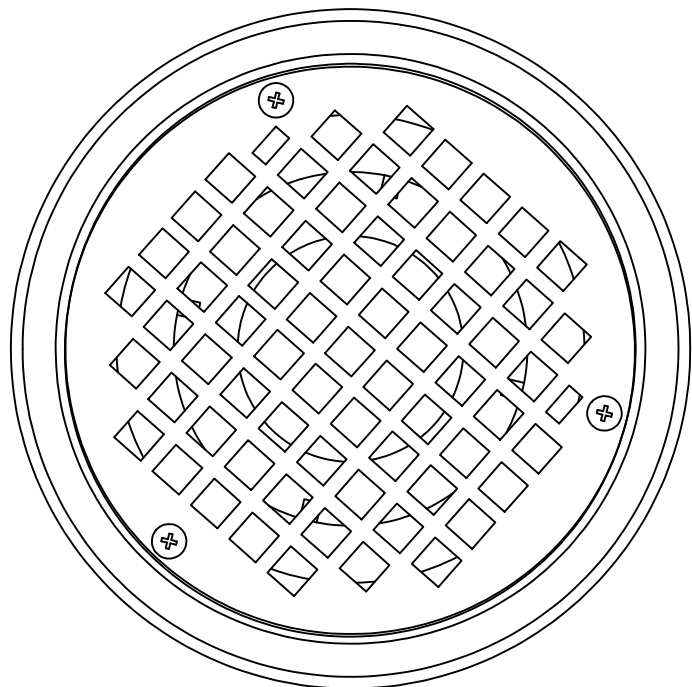


3" "CODE BLUE" NO HUB FLOOR DRAIN 3 1/2" IPS SPUDS WITH 4", 5", OR 6" ROUND STRAINER



SECTION A-A
SCALE 1 : 1



PHONE NUMBER 1-800-355-6637	PART NO.	D65583	D65584	D65585		
FAX NUMBER 1-800-462-6991	SIZE	3"	3"	3"		
SCALE 1 : 1	DATE 5-05-11	PAN	7"	7"	7"	
SHEET 1 OF 1	STRAINER	6" NB	6" PB	6" CP		
DRAWN BY ASHLEY KRALOVEC	HEIGHT	3" - 5"	3" - 5"	3" - 5"		