



**STORE+®**

60" x 30" Vikrell® bath/shower, left drain  
**71470110**



**Features**

- Tongue-and-groove modular design allows for easy installation during any phase of construction
- Includes four rimmed shelves, two caddies, two hooks, and two soap dishes with towel bar
- Dishwasher-safe shelves and bins snap into place; no tools required
- Holds up to 30 bottles
- Easy-to-clean, durable high-gloss finish
- Innovative Dry-Block™ seal and channeled water containment system form watertight seams

**Material**

- Compression molded from our exclusive solid Vikrell® material

**Installation**

- Alcove
- Caulk-free installation
- Left drain

**Recommended Products/Accessories**

- K-23726 Drain treatment
- K-23733 Vikrell® cleaner

**Included Components**

- 71474100 60" x 30" Vikrell® bath/shower wall set
- 71171110 60" x 30" Vikrell® bath, left drain



**Codes/Standards**

- CSA B45.5/IAPMO Z124
- ASTM E162
- ASTM E662
- HUD, UM Bulletin 73
- IAPMO Certification

**STERLING® Vikrell® or Acrylic Baths and Shower Bases Ten-Year Limited Warranty**

See website for detailed warranty information.

**Available Colors/Finishes**

*Color tiles intended for reference only.*

**Color Code Description**

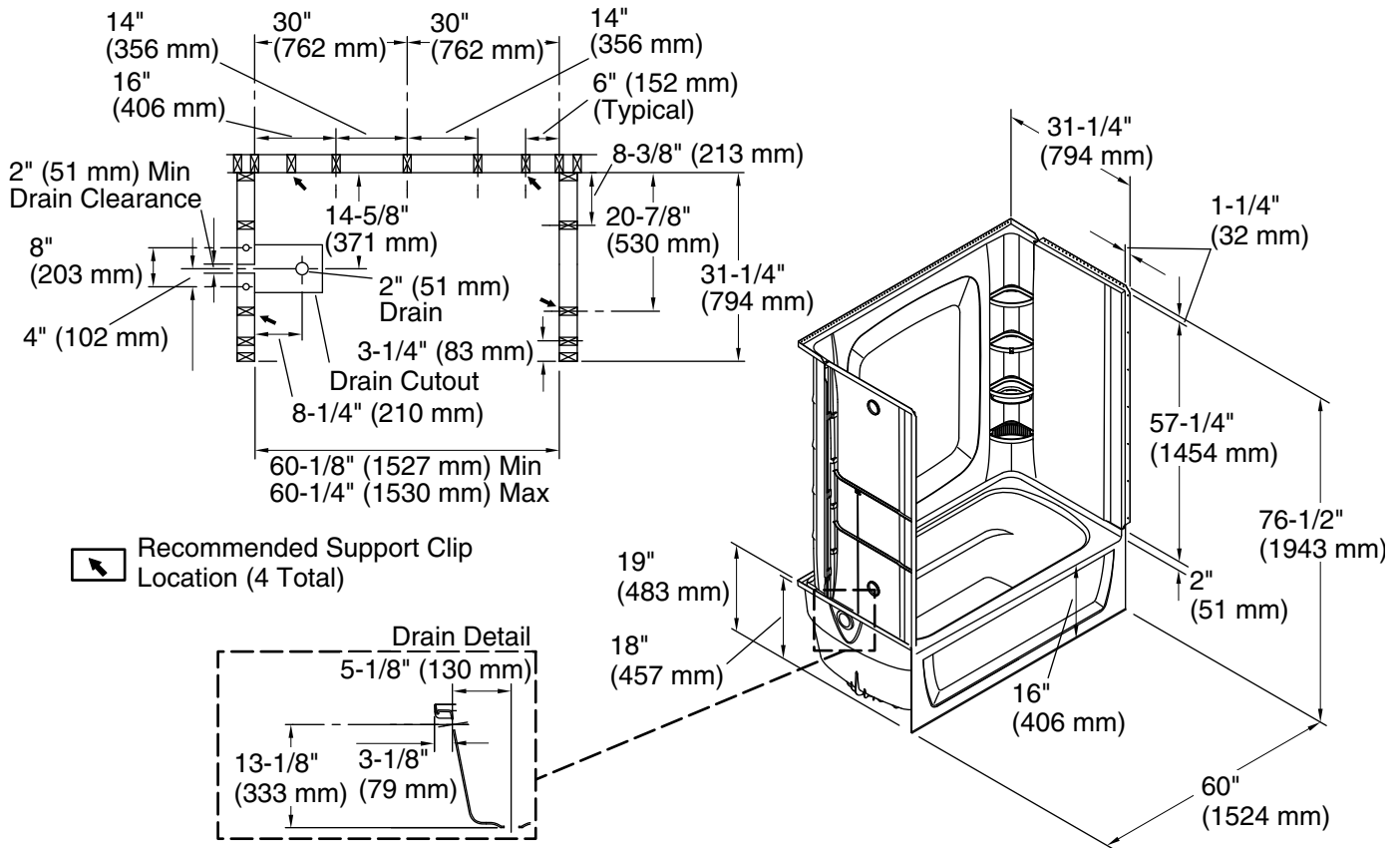
	0	White
--	---	-------

1-800-STERLING (1-800-783-7546)

Kohler Co. reserves the right to make revisions without notice to product specifications.

For the most current Specification Sheet, go to [www.sterlingplumbing.com](http://www.sterlingplumbing.com).

2-10-2024 20:05 - US



**Technical Information**

All product dimensions are nominal.

Drain location:	Left
Basin area, bottom:	45" x 20" (1143 mm x 508 mm)
Basin area, top:	53" x 23" (1346 mm x 584 mm)
Weight:	128 lbs (58.1 kg)
Water depth:	11-1/4" (286 mm)
Water capacity:	44 gal (166.6 L)
Maximum door height:	59" (1499 mm)
Maximum door width:	57-11/16" (1465 mm)

**Notes**

Install this product according to the installation instructions.

Studs should be positioned roughly as shown. Double studding is recommended for pivot shower door installations.