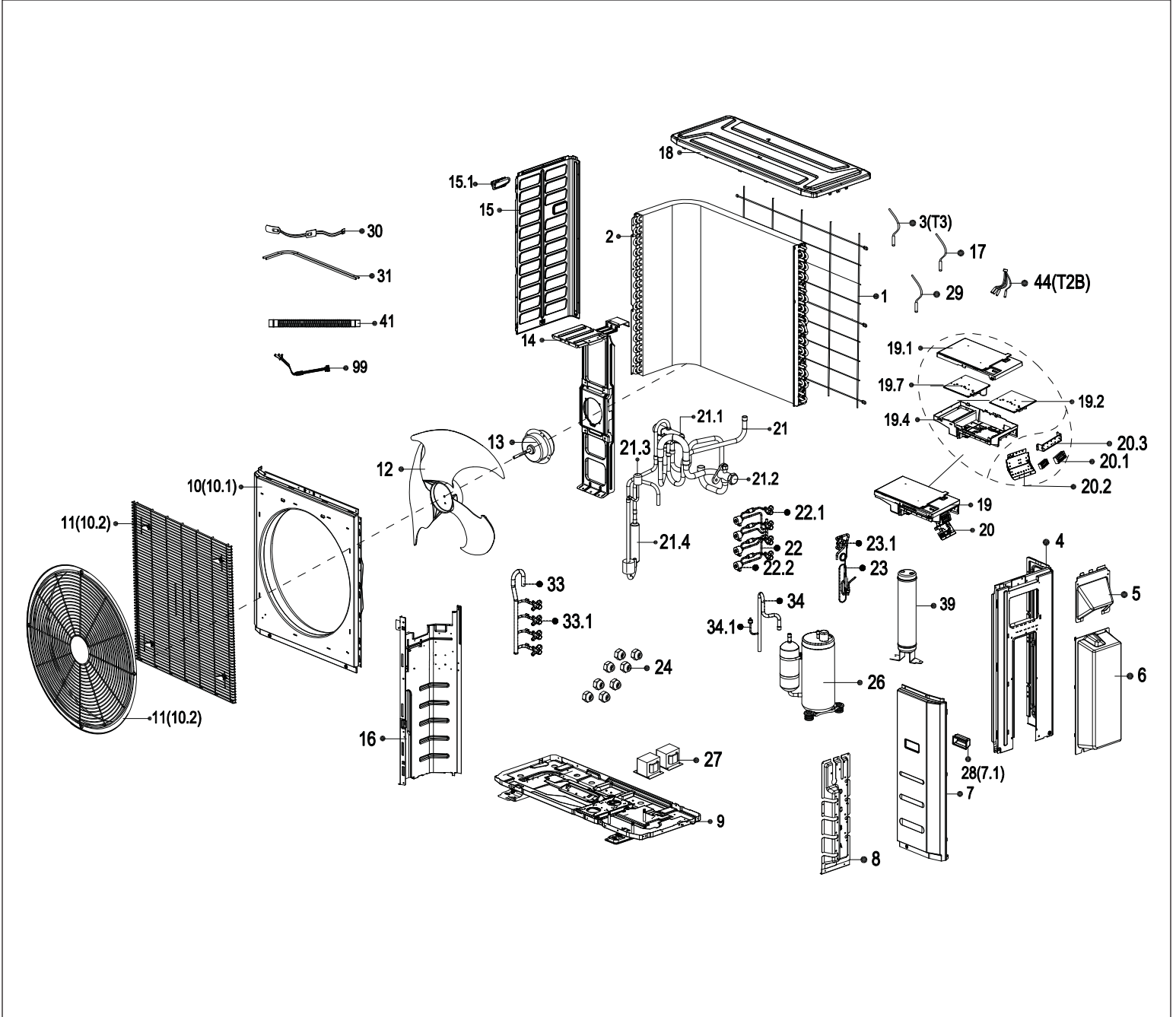


# Bosch Climate 5000 Series Multi Zone Outdoor Unit

## BMS500-AAM036-1CSXRC



Pos.	Description	Qty	BMS500-AAM036-1CSXRC	Recommended Stock	Remarks
1	Rear net	1.0	7738005696		
2	Condenser assembly	1.0	8733956557	✓	
3	Pipe Temperature Sensor	1.0	8733956370	✓	
4	Rear right clapboard assembly	1.0	8733953865		
5	Big handle assembly	1.0	8733953866		
6	Water collector	1.0	8733945555		
7	Front right clapboard assembly	1.0	7738005673		
7.1	handle	1.0	7738005674		
8	Valve plate	1.0	8733945558		
9	Chassis assembly	1.0	8733945567		
10	Front panel	1.0	7738005676		
10.1	Front panel	1.0	8733956371		
11	Air outlet grille	1.0	8733956372		
12	Axial flow fan	1.0	7738005678	✓	
13	Brushless DC Motor	1.0	7738005679	✓	
14	Supporter subassembly of fan motor	1.0	8733956558		
15	Left side plate assembly of cabinet	1.0	7738005666		
15.1	Small handle	1.0	7738005667		
16	Partition board assembly	1.0	8733945572		
17	Room Temperature Sensor	1.0	8733953835		
18	Top cover assembly	1.0	7738005682		
19	Electronic control box subassembly	1.0	8733956559	✓	
19.1	Cover of electronic control box	1.0	8733945546		
19.2	Main control board subassembly	1.0	8733956560	✓	
19.4	Electronic installing box	1.0	8733945557		
19.7	Inverter module subassembly	1.0	8733956561	✓	
20	Terminal board subassembly	1.0	8733945635	✓	
20.1	Terminal	1.0	8733945641	✓	
20.1	Terminal	1.0	8733945642	✓	
20.2	Terminal board	1.0	8733945578		
20.3	Terminal board	1.0	8733945577		
21	4-way Valve Assembly	1.0	8733956562	✓	
21.1	4-way valve	1.0	7738005692	✓	
21.2	Gas valve	1.0	8733945606		
21.3	Pressure switch	1.0	8733955614	✓	
21.4	Muffler subassembly	1.0	8733956563		
22	Liquid valve assembly	1.0	8733945597	✓	
22.1	Liquid valve	4.0	7738005578		
22.2	Electronic expansion valve subassembly	4.0	8733945608	✓	
23	Liquid valve assembly	1.0	8733953868	✓	
23.1	Liquid valve	1.0	8733945607		
24	Copper nut	4.0	8733953644		
24	Copper nut	3.0	8733953586		
24	Copper nut	4.0	8733953636		
26	DC Inverter Rotary Compressor	1.0	8733956503	✓	
27	Reactor	1.0	7738005698		
29	Discharge Temperature Sensor	1.0	8733953878		
30	Electric heating tube	1.0	8733956380		
31	Crankcase electric heater	1.0	8733956381		
33	Gas valve assembly	1.0	8733945598	✓	
33.1	Gas valve	3.0	7738005574		
33.1	Gas valve	1.0	7738005606		
34	Suction pipe assembly	1.0	8733945589		
34.1	Pressure switch	1.0	8733955613	✓	
39	Accumulator cylinder	1.0	8733945616		
41	Drain pipe	1.0	8733947976		
44	Pipe Temperature Sensor	1.0	8733945534	✓	
99	Compressor wire subassembly	1.0	7738005661		
<b>BMS500-AAM036-1CSXRC</b>					