

VITOCROSSAL 300

CU3A Series

Vitocrossal 300		CU3A 26 CU3A227	CU3A 35 CU3A228	CU3A 45 CU3A229	CU3A 57 CU3A230
General Info	Price List Section:	2.3			
	Parts Catalog Section	10			
	Start Date	6/2015 -			
	End Date	present			
	Applies to serials nos. beginning with:	7553000...	7553001...	7553002...	7553003...
	As at:	08/27/2015 01			

Parts List

Please refer to: Parts List
Pos. Description

Part Numbers / Price Categories

Parts for Main Enclosure Assembly

0001	Spring Clip f Insul. (Set of 4)	7077 973 ⁵	7077 973 ⁵	7077 973 ⁵	7077 973 ⁵
0002	Cover, Edgemolding	7819 438 ⁴	7819 438 ⁴	7819 438 ⁴	7819 438 ⁴
0003	Access. Pack (Fr.Panel Hardw, Set of 2)	7819 773 ⁸	7819 773 ⁸	7819 773 ⁸	7819 773 ⁸
0004	Insul. Blanket	7822 065 ¹⁵	7822 065 ¹⁵	7834 512 ¹¹	7834 512 ¹¹
0005	Access. Pack (Insulation)	7834 204 ⁸	7834 204 ⁸	7834 204 ⁸	7834 204 ⁸
0006	Top Panel, Rear	7834 205 ¹⁷	7834 205 ¹⁷	7834 206 ¹⁴	7834 206 ¹⁴
0007	Front Panel	7834 207 ³⁵	7834 207 ³⁵	7834 207 ³⁵	7834 207 ³⁵
0008	Top Panel, Front	7834 208 ¹⁹	7834 208 ¹⁹	7834 208 ¹⁹	7834 208 ¹⁹
0009	Mid Panel, Control	7834 209 ²⁴	7834 209 ²⁴	7834 209 ²⁴	7834 209 ²⁴
0010	Insulation Blkt, Rear	7834 215 ¹²	7834 215 ¹²	7834 215 ¹²	7834 215 ¹²
0011	Insulation Blkt, Front	7834 216 ¹⁶	7834 216 ¹⁶	7834 216 ¹⁶	7834 216 ¹⁶
0012	Access. Pack (Mtg Fasteners, Set 4)	7834 504 ¹²	7834 504 ¹²	7834 504 ¹²	7834 504 ¹²
0013	Side Panel (Left/Right)	7843 935 ³¹	7843 935 ³¹	7843 936 ^{Other}	7843 936 ^{Other}
0014	Mounting Bracket	7843 942 ¹¹	7843 942 ¹¹	7843 943 ¹¹	7843 943 ¹¹
0015	Rear Panel	7843 946 ^{Other}	7843 946 ^{Other}	7843 947 ^{Other}	7843 947 ^{Other}
0016	Mounting Bracket, lower/front	7843 948 ¹²	7843 948 ¹²	7843 948 ¹²	7843 948 ¹²
0017	Mid Panel, Front	7843 949 ^{Other}	7843 949 ^{Other}	7843 949 ^{Other}	7843 949 ^{Other}

VITOCROSSAL 300

CU3A Series

Vitocrossal 300	CU3A 26 CU3A227	CU3A 35 CU3A228	CU3A 45 CU3A229	CU3A 57 CU3A230
General Info	Price List Section: 2.3			
	Parts Catalog Section: 10			
	Start Date: 6/2015 -			
	End Date: present			
	Applies to serials nos. beginning with:	7553000...	7553001...	7553002... 7553003...
	As at:	08/27/2015	01	

Parts List

Please refer to: Parts List
Pos. Description

Part Numbers / Price Categories

Parts for Control Assembly

0001	Control Console	7842 319 ⁶⁴	7842 319 ⁶⁴	7842 319 ⁶⁴	7842 319 ⁶⁴
0002	Hinge (Ctrl Housing, Each)	7842 537 ^{Other}	7842 537 ^{Other}	7842 537 ^{Other}	7842 537 ^{Other}
0003	Coding Plug	7849 978 ⁸	7849 977 ⁸	7849 976 ⁸	7849 975 ⁸
0004	Fuse, T6.3A/250V (Set of 10)	7404 365 ⁶	7404 365 ⁶	7404 365 ⁶	7404 365 ⁶
0005	Fuse Holder	7823 502 ⁴	7823 502 ⁴	7823 502 ⁴	7823 502 ⁴
0006	Vitotronic 200 KW6B Assly	7172 529 ⁴⁸	7172 529 ⁴⁸	7172 529 ⁴⁸	7172 529 ⁴⁸
0007	Progr Unit, Vitotr 200 HO1B	7839 644 ⁴¹	7839 644 ⁴¹	7839 644 ⁴¹	7839 644 ⁴¹
0008	Ctrl Housing w Harness	7828 158 ¹⁷	7828 158 ¹⁷	7828 158 ¹⁷	7828 158 ¹⁷
0009	Circuit Board (LON, IU100-B30)	7841 623 ²³	7841 623 ²³	7841 623 ²³	7841 623 ²³
0010	Access. Pack (Plug #20/28/40/21/96)	7834 380 ¹⁰	7834 380 ¹⁰	7834 380 ¹⁰	7834 380 ¹⁰
0011	Harness (X8/X9/Ioniz.)	7842 466 ¹³	7842 466 ¹³	7842 466 ¹³	7842 466 ¹³
0012	Harness (Gas Valve 35)	7842 465 ⁸	7842 465 ⁸	7842 465 ⁸	7842 465 ⁸
0013	Harness (Ign.Trans 54/PE)	7842 464 ⁸	7842 464 ⁸	7842 464 ⁸	7842 464 ⁸
0014	Harness (Fan 100)	7842 463 ⁸	7842 463 ⁸	7842 463 ⁸	7842 463 ⁸
0015	Harness (Exp. Functions)	7842 462 ¹⁰	7842 462 ¹⁰	7842 462 ¹⁰	7842 462 ¹⁰
0016	Harness (Pumps 20/21/96)	7842 461 ¹³	7842 461 ¹³	7842 461 ¹³	7842 461 ¹³
0017	Harness (Power 40/40A)	7842 460 ¹⁰	7842 460 ¹⁰	7842 460 ¹⁰	7842 460 ¹⁰
0018	Harness (KM-BUS 145)	7842 459 ⁸	7842 459 ⁸	7842 459 ⁸	7842 459 ⁸
0019	Harness (X7)	7841 730 ⁵	7841 730 ⁵	7841 730 ⁵	7841 730 ⁵
0020	Sensor #1 (outdoor, NTC)	7837 053 ²¹	7837 053 ²¹	7837 053 ²¹	7837 053 ²¹
0021	Sensor #5 (DHW, Immersion NTC)	7834 379 ²¹	7834 379 ²¹	7834 379 ²¹	7834 379 ²¹
0022	Sensor #3 (Boiler, dual, NTC)	7844 897 ¹¹	7844 897 ¹¹	7844 897 ¹¹	7844 897 ¹¹
0023	Circuit Board (Exp.Func, SA100-B40)	7842 440 ¹⁶	7842 440 ¹⁶	7842 440 ¹⁶	7842 440 ¹⁶
0024	Switch, 2-Pole	7819 977 ⁷	7819 977 ⁷	7819 977 ⁷	7819 977 ⁷
0025	Reset Button (KW6B)	7842 441 ⁷	7842 441 ⁷	7842 441 ⁷	7842 441 ⁷
0026	Side Cover (KW6B, Set of 2)	7842 444 ¹⁰	7842 444 ¹⁰	7842 444 ¹⁰	7842 444 ¹⁰
0027	Access. Pack (KW6B, Sm. Parts)	7830 834 ¹³	7830 834 ¹³	7830 834 ¹³	7830 834 ¹³
0028	Side Cover w Harness Inlet (KW6B)	7842 443 ⁸	7842 443 ⁸	7842 443 ⁸	7842 443 ⁸
0029	Front and Side Covers (KW6B)	7842 442 ¹⁰	7842 442 ¹⁰	7842 442 ¹⁰	7842 442 ¹⁰
0030	Circuit Board (Man.Res, SA125-A00)	7842 438 ¹⁵	7842 438 ¹⁵	7842 438 ¹⁵	7842 438 ¹⁵
0031	Circuit Board (Optolink, SA115-A20)	7842 439 ¹⁶	7842 439 ¹⁶	7842 439 ¹⁶	7842 439 ¹⁶
0032	Replacement Extension Module EA1	7509 475 ²⁴	7509 475 ²⁴	7509 475 ²⁴	7509 475 ²⁴
0033	Power/Pump Ctrl Module	7839 389 ³²	7839 389 ³²	7839 389 ³²	7839 389 ³²

VITOCROSSAL 300

CU3A Series

Vitocrossal 300	CU3A 26 CU3A227	CU3A 35 CU3A228	CU3A 45 CU3A229	CU3A 57 CU3A230
------------------------	---------------------------	---------------------------	---------------------------	---------------------------

General Info	Price List Section:	2.3			
	Parts Catalog Section	10			
	Start Date	6/2015 -			
	End Date	present			
	Applies to serials nos. beginning with:	7553000...	7553001...	7553002...	7553003...
	As at:	08/27/2015 01			

Parts List

Please refer to: Parts List
Pos. Description

Part Numbers / Price Categories

Parts for Boiler Assembly

0001	Sensor Well, G ½ L = 150 w Clip	7817 326 ¹⁰	7817 326 ¹⁰	7817 326 ¹⁰	7817 326 ¹⁰
0002	Test Port Cap (Set of 2)	7817 966 ⁸	7817 966 ⁸	7817 966 ⁸	7817 966 ⁸
0003	Leveling Bolt (Each)	7819 544 ⁴	7819 544 ⁴	7819 544 ⁴	7819 544 ⁴
0004	Clamp (Fresh Air Hose D70-90, Set 2)	7820 792 ⁷	7820 792 ⁷	7820 792 ⁷	7820 792 ⁷
0005	Gasket (Flue Gas Coll.)	7822 133 ⁸	7822 133 ⁸	7834 812 ⁹	7834 812 ⁹
0006	Sensor #15 (Flue Gas)	7822 767 ⁸	7822 767 ⁸	7822 767 ⁸	7822 767 ⁸
0007	Condensate siphon	7824 743 ⁸	7824 743 ⁸	7824 743 ⁸	7824 743 ⁸
0008	Gasket (Flue Gas), D80	7824 837 ⁶	7824 837 ⁶	7826 553 ⁷	7826 553 ⁷
0009	Suction Adaptor, Fresh Air	7834 387 ¹²	7834 387 ¹²	7834 387 ¹²	7834 387 ¹²
0010	Flue Gas Coll. (w Gskts + Snr)	7834 407 ²⁶	7834 407 ²⁶	7834 408 ²⁸	7834 408 ²⁸
0011	Bracket (Flue Gas Coll.)	7834 409 ¹²	7834 409 ¹²	7834 410 ¹²	7834 410 ¹²
0012	Fresh Air Hose (flexible, D80)	7834 414 ¹⁵	7834 414 ¹⁵	7834 414 ¹⁵	7834 414 ¹⁵
0013	Gasket D65 (Set of 2)	7839 450 ⁷	7839 450 ⁷	7839 450 ⁷	7839 450 ⁷
0014	Vent Pipe Adaptor	7843 964 ¹³	7843 964 ¹³	7843 965 ¹⁴	7843 965 ¹⁴
0015	Fresh Air Adaptor (w Gskt + Clmp)	7843 966 ¹¹	7843 966 ¹¹	7843 966 ¹¹	7843 966 ¹¹

VITOCROSSAL 300

CU3A Series

Vitocrossal 300	CU3A 26 CU3A227	CU3A 35 CU3A228	CU3A 45 CU3A229	CU3A 57 CU3A230
------------------------	---------------------------	---------------------------	---------------------------	---------------------------

General Info	Price List Section:	2.3			
	Parts Catalog Section	10			
	Start Date	6/2015 -			
	End Date	present			
	Applies to serials nos. beginning with:	7553000...	7553001...	7553002...	7553003...
	As at:	08/27/2015 01			

Parts List

Please refer to: Parts List
Pos. Description

Part Numbers / Price Categories

Parts for Burner Assembly

0001	Burner Gasket	7817 692 ¹⁷	7817 692 ¹⁷	7817 692 ¹⁷	7817 692 ¹⁷
0002	Ground Terminal (Set of 10)	7819 839 ⁶	7819 839 ⁶	7819 839 ⁶	7819 839 ⁶
0003	MatriX Burner Mesh (w Gskt)	7826 502 ²⁵	7826 502 ²⁵	7834 391 ³⁹	7834 391 ³⁹
0004	Ignition Electrode (w Gskt)	7826 504 ¹²	7826 504 ¹²	7826 504 ¹²	7826 504 ¹²
0005	Gasket (Ignition Electrode)	7827 025 ⁶	7827 025 ⁶	7827 025 ⁶	7827 025 ⁶
0006	Gasket (Ioniz. Electrode)	7827 031 ⁶	7827 031 ⁶	7827 031 ⁶	7827 031 ⁶
0007	Gaskets NG/LP (Set of 5)	7831 673 ⁷	7831 673 ⁷	7831 673 ⁷	7831 673 ⁷
0008	Orifice	7833 975 ⁶	7833 978 ⁶	7833 980 ⁶	7833 980 ⁶
0009	Conn. Pipe 1 (NG/LP w Gskts)	7834 373 ¹⁶	7834 373 ¹⁶	7834 374 ¹⁶	7834 374 ¹⁶
0010	Adaptor CES10	7834 389 ¹²	7834 389 ¹²	7834 389 ¹²	7834 389 ¹²
0011	Gasket (Radial Fan)	7834 396 ¹¹	7834 396 ¹¹	7834 396 ¹¹	7834 396 ¹¹
0012	Gasket (Burner Mesh)	7834 397 ¹²	7834 397 ¹²	7834 397 ¹²	7834 397 ¹²
0013	Turbulator Disc	7834 398 ¹¹	7834 398 ¹¹	n.a. ^{n.a.}	n.a. ^{n.a.}
0014	Access. Pack (Burner Parts)	7834 399 ¹⁰	7834 399 ¹⁰	7834 399 ¹⁰	7834 399 ¹⁰
0015	Ignition Module	7839 612 ¹³	7839 612 ¹³	7839 612 ¹³	7839 612 ¹³
0016	Gas Valve CES10 (w Gskt)	7839 704 ²¹	7839 704 ²¹	7839 704 ²¹	7839 704 ²¹
0017	Radial Fan NRG118 (w Gskts)	7842 352 ³²	7842 352 ³²	7842 353 ³³	7842 353 ³³
0018	Sight Glass	7843 269 ¹⁶	7843 269 ¹⁶	7843 269 ¹⁶	7843 269 ¹⁶
0019	Conn. Pipe 2 (NG/LP)	7843 951 ¹⁵	7843 951 ¹⁵	7843 953 ¹⁴	7843 953 ¹⁴
0020	Comb. Chamber Dr (w Brnr Msh)	7843 975 ³⁷	7843 975 ³⁷	7843 976 ⁴⁰	7843 976 ⁴⁰
0021	Comb.Ch.Dr.Refr.	7844 010 ¹⁶	7844 010 ¹⁶	7844 011 ¹⁶	7844 011 ¹⁶
0022	Comb.Ch.Dr.Insul (w Gskts)	7844 012 ¹²	7844 012 ¹²	7844 012 ¹²	7844 012 ¹²
0023	Ionization Electrode (w Gskt)	7844 121 ¹⁰	7844 121 ¹⁰	7844 123 ¹¹	7844 123 ¹¹

Other Parts

0004	Decorative Stripe	7819 535 ⁵	7819 535 ⁵	7819 535 ⁵	7819 535 ⁵
0005	Touch-UP Spray Paint Vitotec, SIL	7819 545 ⁹	7819 545 ⁹	7819 545 ⁹	7819 545 ⁹
0006	Touch-UP Paint Stk Vitotec SIL	7819 546 ⁵	7819 546 ⁵	7819 546 ⁵	7819 546 ⁵

VITOCROSSAL 300

CU3A Series

Vitocrossal 300	CU3A 26 CU3A227	CU3A 35 CU3A228	CU3A 45 CU3A229	CU3A 57 CU3A230
------------------------	---------------------------	---------------------------	---------------------------	---------------------------

General Info	Price List Section:	2.3			
	Parts Catalog Section	10			
	Start Date	6/2015 -			
	End Date	present			
	Applies to serials nos. beginning with:	7553000...	7553001...	7553002...	7553003...
	As at:	08/27/2015 01			

Parts List

Please refer to: Parts List
Pos. Description

Part Numbers / Price Categories

Parts for Installation Set

0300	Installation Set, CU3A	7560 593 ²⁴	7560 593 ²⁴	7560 593 ²⁴	7560 593 ²⁴
0301	Air Vent w Shut-off Base 3/8"	9542 941 ⁸	9542 941 ⁸	9542 941 ⁸	9542 941 ⁸
0302	Hex Bushing, 3/4" x 3/8"	9549 727 ⁴	9549 727 ⁴	9549 727 ⁴	9549 727 ⁴
0303	Tee, 3/4"	9544 337 ⁴	9544 337 ⁴	9544 337 ⁴	9544 337 ⁴
0304	Pr.Rel Valve (Conbr.) 3/4" (FF) 30PSI	9542 940 ⁸	9542 940 ⁸	9542 940 ⁸	9542 940 ⁸
0305	Nipple, 3/4" x 1 1/2"	9549 984 ⁴	9549 984 ⁴	9549 984 ⁴	9549 984 ⁴
0306	90° Street Elbow, 3/4" BMI	9543 277 ⁴	9543 277 ⁴	9543 277 ⁴	9543 277 ⁴
0307	Nipple, 4" x 3/4" BMI	9560 495 ²	9560 495 ²	9560 495 ²	9560 495 ²
0308	Red. Coupling, 1 1/4 x 3/4" BMI	9638 008 ⁴	9638 008 ⁴	9638 008 ⁴	9638 008 ⁴
0309	Temp. + Pr.Gage 3" (Winters) TTD	7842 953 ¹⁴	7842 953 ¹⁴	7842 953 ¹⁴	7842 953 ¹⁴
0310	Thermowell, 1/2"	7849 687 ⁸	7849 687 ⁸	7849 687 ⁸	7849 687 ⁸
0311	Red.Tee, 1 1/4" x 1 1/4" x 1/2" BMI	7842 951 ⁵	7842 951 ⁵	7842 951 ⁵	7842 951 ⁵
0312	Gas Ball Valve, 3/4" Brass	7134 783 ⁶	7134 783 ⁶	7134 783 ⁶	7134 783 ⁶
0313	Flue Adaptor, CPVC 3"	7134 770 ⁷	7134 770 ⁷	7134 770 ⁷	7134 770 ⁷
0314	Red.Tee, 1" x 1" x 3/4" BMI	7842 950 ⁴	7842 950 ⁴	7842 950 ⁴	7842 950 ⁴
0315	Sediment Faucet, 3/4"	9653 664 ⁵	9653 664 ⁵	9653 664 ⁵	9653 664 ⁵
0316	Parts List CU3A inst.set	5673 652 ^L	5673 652 ^L	5673 652 ^L	5673 652 ^L

Parts for Technical Literature Set

0400	Tech Lit Set	7574 080 ^{Other}	7574 080 ^{Other}	7574 080 ^{Other}	7574 080 ^{Other}
0401	Install. Instr. CU3A 26/35/45/57	5673 648 ^L	5673 648 ^L	5673 648 ^L	5673 648 ^L
0402	Service Instr. CU3A 26/35/45/57	5673 649 ^L	5673 649 ^L	5673 649 ^L	5673 649 ^L
0403	Operating Instr. CU3A 26/35/45/57	5673 650 ^L	5673 650 ^L	5673 650 ^L	5673 650 ^L
0404	Parts List CU3A 26/35/45/57	5673 651 ^L	5673 651 ^L	5673 651 ^L	5673 651 ^L
0405	Parts List CU3A inst.set	5673 652 ^L	5673 652 ^L	5673 652 ^L	5673 652 ^L
0406	Install. Instr. Venting System	5673 654 ^L	5673 654 ^L	5673 654 ^L	5673 654 ^L
0407	Tech Data Man. CU3A 26/35/45/57	5673 647 ^L	5673 647 ^L	5673 647 ^L	5673 647 ^L
0408	Wiring Dgm CU3A 26/35/45/57	5673 653 ^L	5673 653 ^L	5673 653 ^L	5673 653 ^L
0409	Warranty Sheet Condensing, Resid v2	5348 723 ^L	5348 723 ^L	5348 723 ^L	5348 723 ^L
0410	Conv. Kit NG > LP	7574 081 ⁶	7574 081 ⁶	7574 081 ⁶	7574 081 ⁶
0411	Conv. Kit LP > NG	7560 604 ⁶	7560 604 ⁶	7560 604 ⁶	7560 604 ⁶

Notes:

"n.a." indicates not applicable.

"W" indicates wearing part (service).

"L" indicates literature (no charge).

"Kit" or "Other" indicates that this is not a Price Category item; contact Inside Sales for pricing.

Parts List



VITOCROSSAL 300 CU3A Series

Model No.	Serial No.
CU3A 26 Boiler	7553000□□□□□□□□
CU3A 35 Boiler	7553001□□□□□□□□
CU3A 45 Boiler	7553002□□□□□□□□
CU3A 57 Boiler	7553003□□□□□□□□

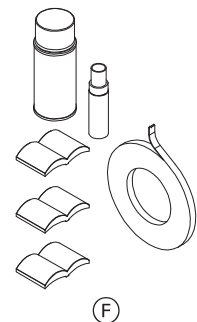
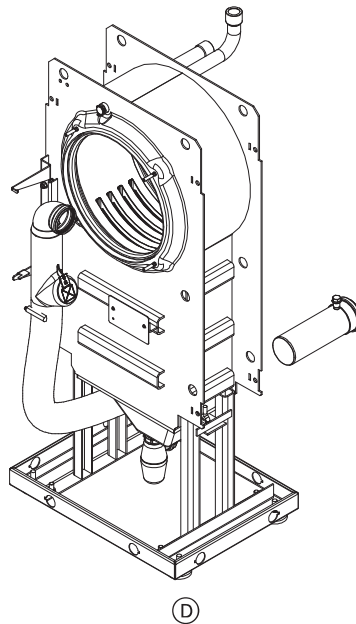
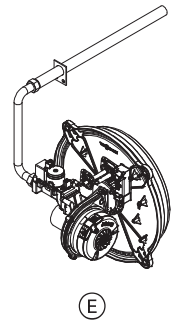
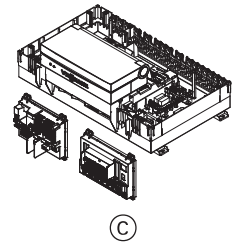
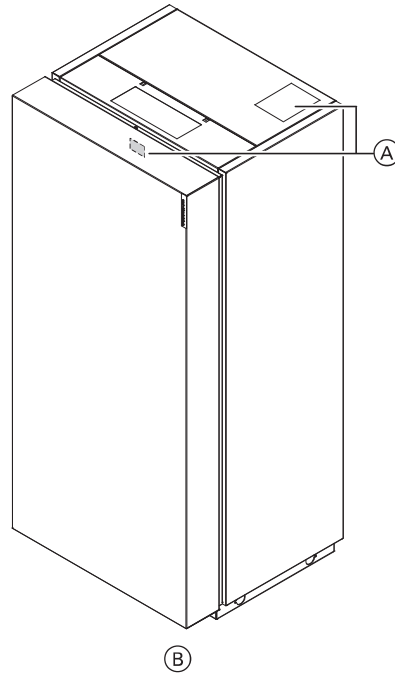
Ordering Parts:

Please provide Model and Serial Number

Ⓐ when ordering replacement parts. Order replacement components from your Viessmann distributor.

Overview of Assemblies

- Ⓐ Rating Plate and Serial Number
- Ⓑ Enclosure Assembly
- Ⓒ Control Assembly
- Ⓓ Boiler Assembly
- Ⓔ Burner Assembly
- Ⓕ Other Parts



Other Parts (not illustrated)

- 0300 Installation Set ^{*1}
- 0400 Technical literature set
- 0401 Installation Instructions
- 0402 Service Instructions
- 0403 Operating Instructions
- 0404 Parts List, Vitocrossal boiler
- 0405 Parts List, Installation Set
- 0406 Installation Instructions, Venting System
- 0407 Technical Data Manual
- 0408 Wiring Diagram
- 0409 Warranty Sheet
- 0410 Conversion kit, NG > LP
- 0411 Conversion kit, LP > NG

^{*1} For Installation Sets please see separate Parts Lists.

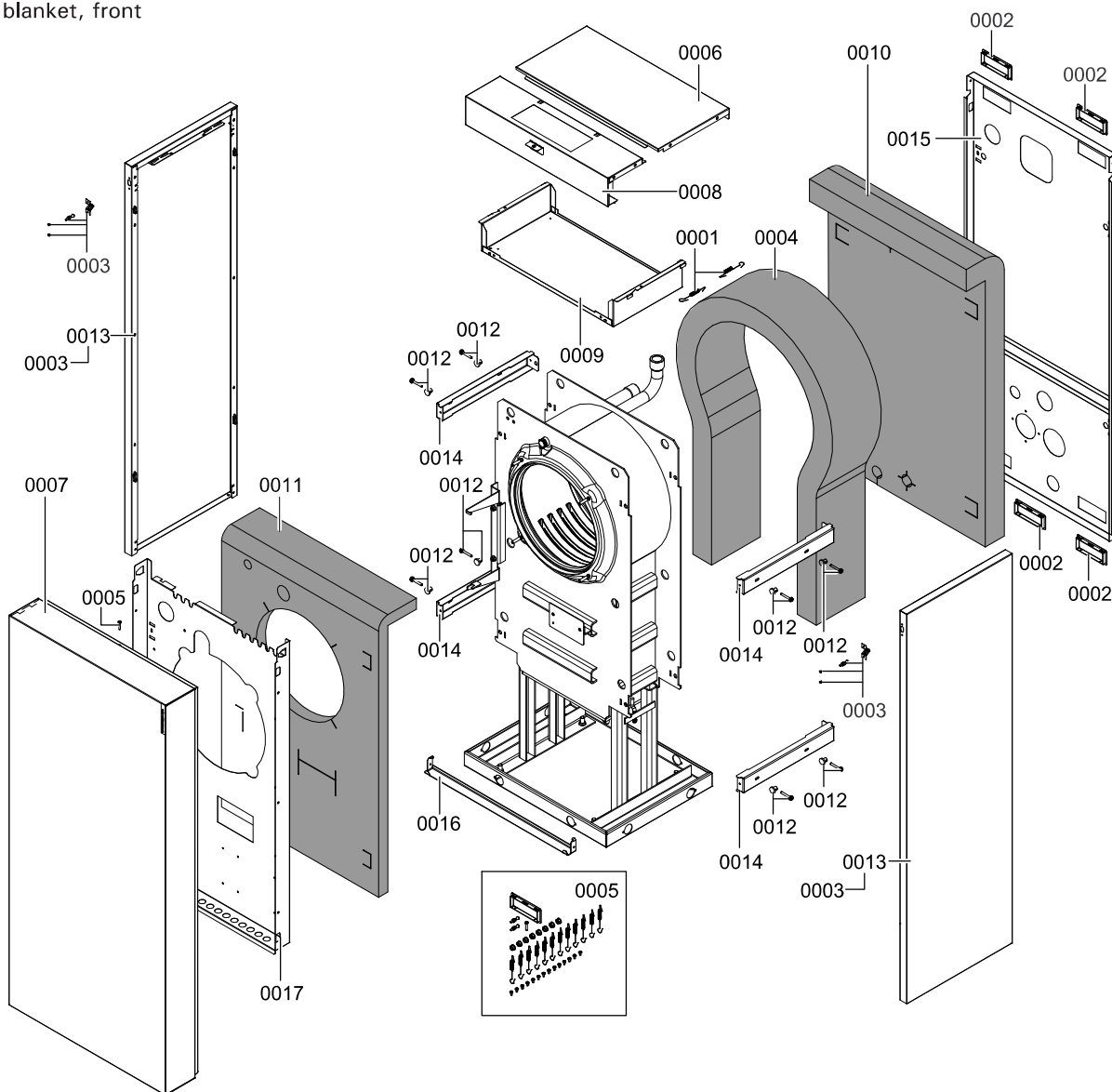
VITOCROSSAL 300

CU3A Series

Model No.	Serial No.
CU3A 26 Boiler	7553000□□□□□□□□
CU3A 35 Boiler	7553001□□□□□□□□
CU3A 45 Boiler	7553002□□□□□□□□
CU3A 57 Boiler	7553003□□□□□□□□

Parts for Main Enclosure Assembly

- 0001 Spring clip for insulation (set of 4)
- 0002 Cover, edgemolding
- 0003 Accessory pack, front panel hardware
- 0004 Insulation blanket
- 0005 Accessory pack, insulation
- 0006 Top panel, rear
- 0007 Front panel
- 0008 Top panel, front
- 0009 Mid panel, control
- 0010 Insulation blanket, rear
- 0011 Insulation blanket, front
- 0012 Accessory pack, mounting fasteners (set of 4)
- 0013 Side panel, left/right
- 0014 Mounting bracket
- 0015 Rear panel
- 0016 Mounting bracket, lower/front
- 0017 Mid panel, front



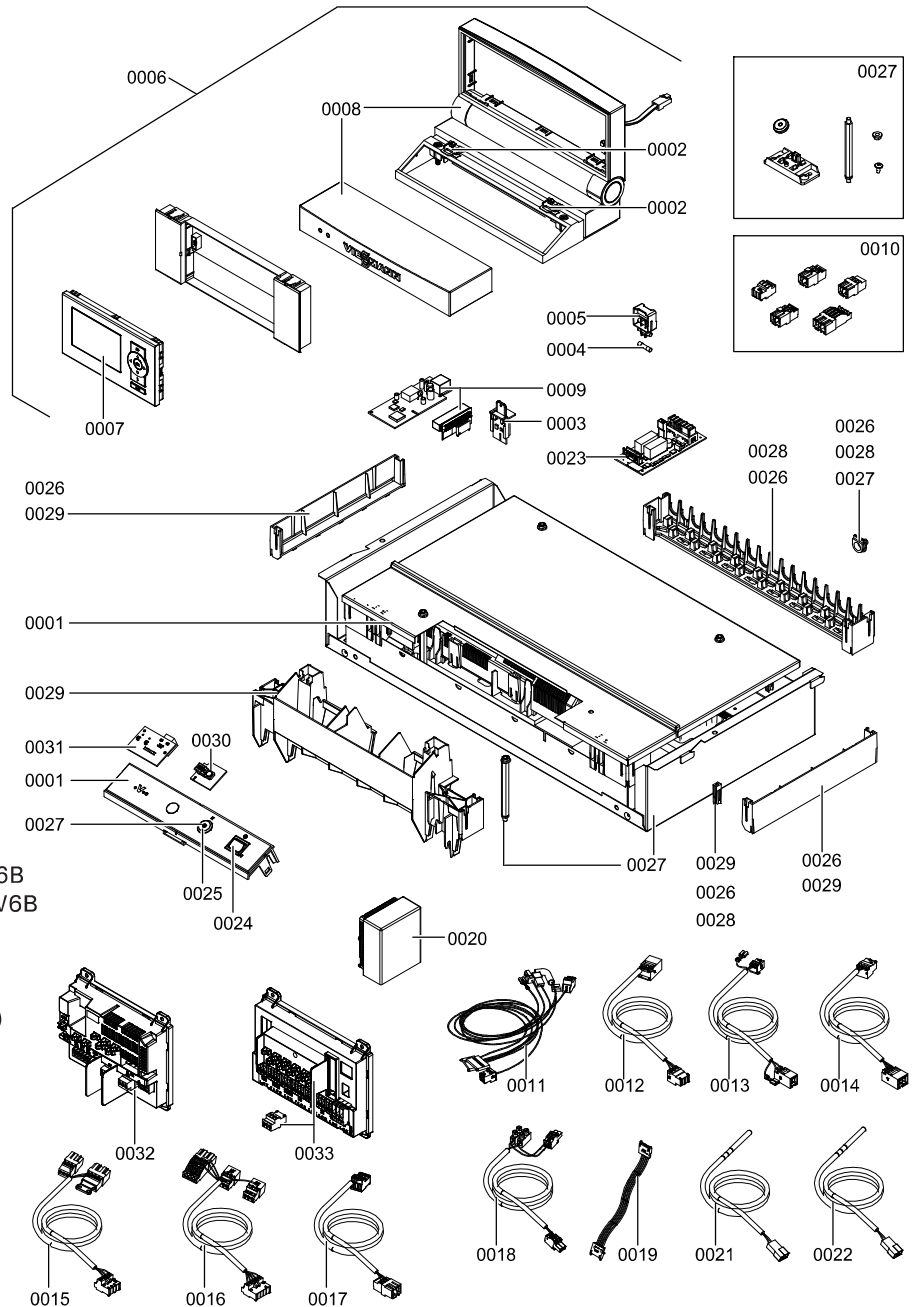
VITOCROSSAL 300

CU3A Series

Model No.	Serial No.
CU3A 26 Boiler	7553000□□□□□□□□
CU3A 35 Boiler	7553001□□□□□□□□
CU3A 45 Boiler	7553002□□□□□□□□
CU3A 57 Boiler	7553003□□□□□□□□

Parts for Control Assembly

- 0001 Control console
- 0002 Hinge for control housing (each)
- 0003 Coding plug
- 0004 Fuse, T6.3A/250V (set of 10)
- 0005 Fuse holder
- 0006 Vitotronic 200 KW6B assembly
- 0007 Programming unit, Vitotronic 200 HO1B
- 0008 Control housing, with harness
- 0009 Circuit Board (LON, IU100-B30)
- 0010 Accessory pack, plug #20/28/40/21/96
- 0011 Harness, X8/X9/Ioniz.
- 0012 Harness, gas valve 35
- 0013 Harness, ignition transformer 54/PE
- 0014 Harness, fan 100
- 0015 Harness, expanded functions
- 0016 Harness, pumps 20/21/96
- 0017 Harness, power 40/40A
- 0018 Harness, KM-BUS 145
- 0019 Harness, X7
- 0020 Sensor #1, outdoor (NTC)
- 0021 Sensor #5, DHW immersion (NTC)
- 0022 Sensor #3, boiler (NTC)
- 0023 Circuit board (expanded functions, SA100-B40)
- 0024 Switch, 2-pole
- 0025 Reset button
- 0026 Side cover (set of 2)
- 0027 Accessory pack, small parts for KW6B
- 0028 Side Cover with harness inlet for KW6B
- 0029 Front and side covers for KW6B
- 0030 Circuit board (manual reset, SA125-A00)
- 0031 Circuit board (Optolink, SA115-A20)
- 0032 Replacement extension module EA1
- 0033 Power/pump control module



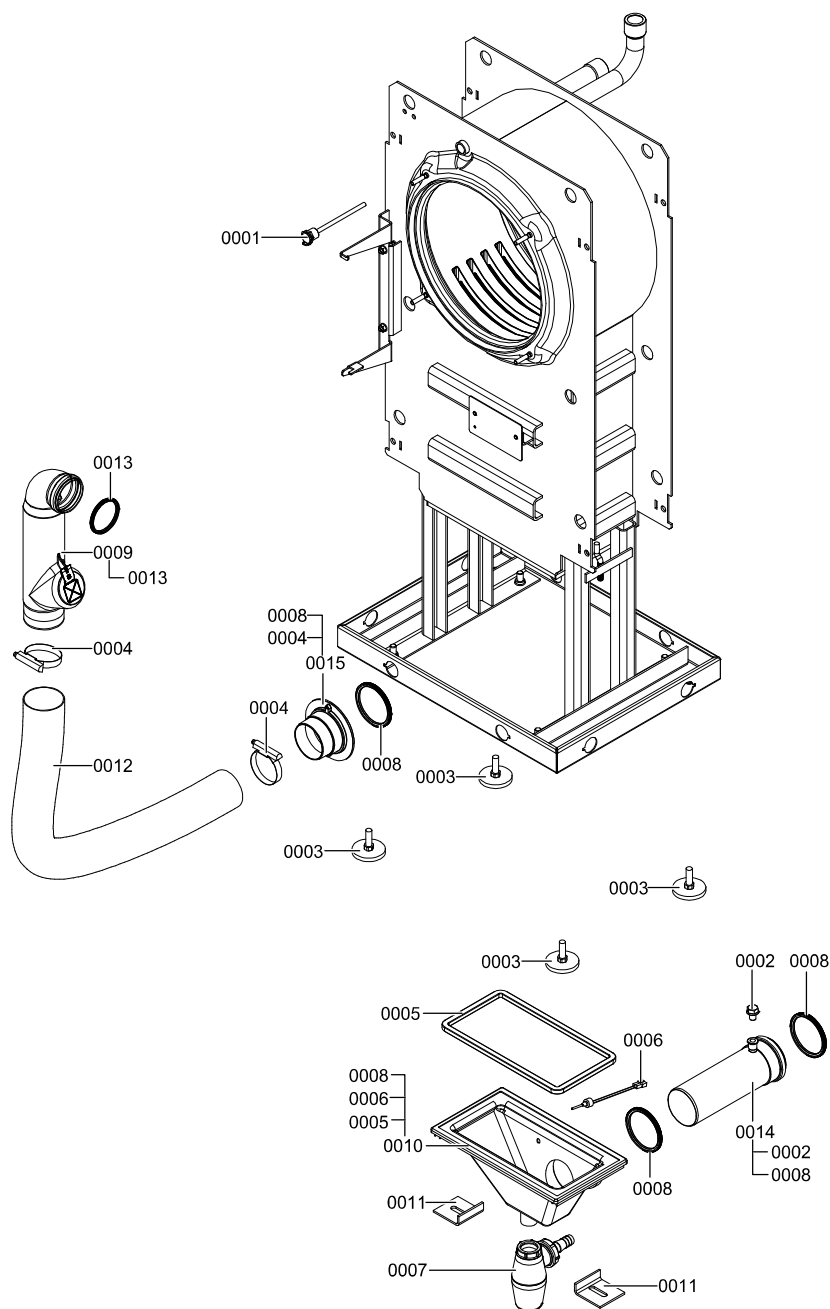
VITOCROSSAL 300

CU3A Series

Model No.	Serial No.
CU3A 26 Boiler	7553000□□□□□□□□
CU3A 35 Boiler	7553001□□□□□□□□
CU3A 45 Boiler	7553002□□□□□□□□
CU3A 57 Boiler	7553003□□□□□□□□

Parts for Boiler Assembly

- 0001 Sensor well, G ½ L = 150 with clip
- 0002 Test port cap (set of 2)
- 0003 Leveling bolt (each)
- 0004 Clamp for fresh air hose, D70-90 (set of 2)
- 0005 Gasket for flue gas collector
- 0006 Sensor #15, flue gas
- 0007 Condensate siphon
- 0008 Gasket for flue gas
- 0009 Suction adaptor for fresh air
- 0010 Flue gas collector, with gaskets and sensor
- 0011 Bracket for flue gas collector
- 0012 Fresh air hose, flexible, D80
- 0013 Gasket D65 (set of 2)
- 0014 Vent pipe adaptor, with gasket
- 0015 Fresh air adaptor, with gasket and clamp



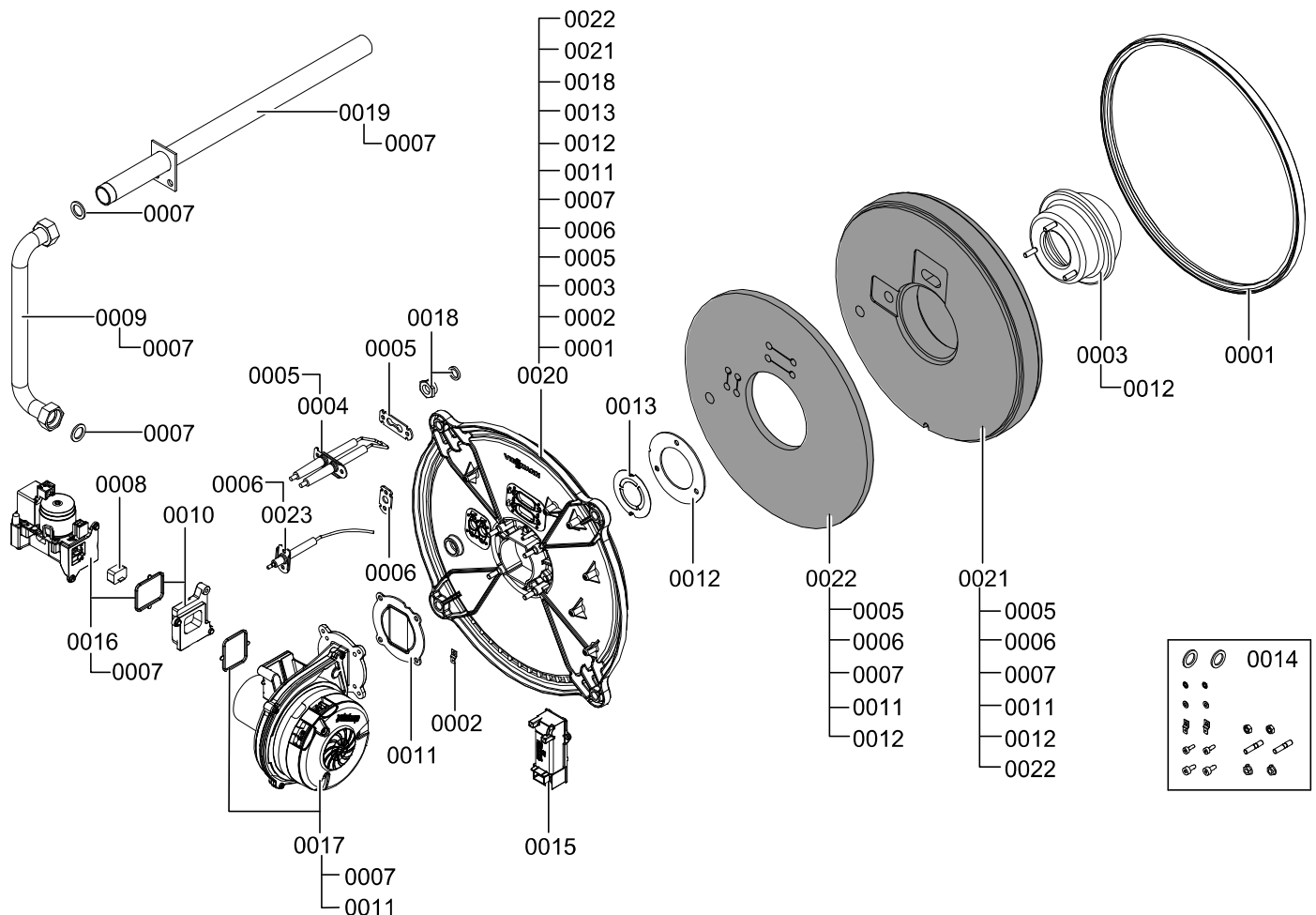
VITOCROSSAL 300

CU3A Series

Model No.	Serial No.
CU3A 26 Boiler	7553000□□□□□□□□
CU3A 35 Boiler	7553001□□□□□□□□
CU3A 45 Boiler	7553002□□□□□□□□
CU3A 57 Boiler	7553003□□□□□□□□

Parts for Burner Assembly

- | | |
|--|---|
| 0001 Burner gasket | 0014 Accessory pack for burner parts |
| 0002 Ground terminal (set of 10) | 0015 Ignition module |
| 0003 Matrix burner mesh with gasket | 0016 Gas valve CES10 with gasket |
| 0004 Ignition Electrode with gasket | 0017 Radial fan NRG118 with gaskets |
| 0005 Gasket for ignition electrode | 0018 Sight glass |
| 0006 Gasket for ionization electrode | 0019 Connection pipe 2, NG/LP with gasket |
| 0007 Gasket for NG/LP (set of 5) | 0020 Combustion chamber door assembly with burner mesh |
| 0008 Orifice | 0021 Combustion chamber door refractory with gaskets and insulation |
| 0009 Connection pipe 1, NG/LP with gaskets | 0022 Combustion chamber door insulation with gaskets |
| 0010 Adaptor CES10 | 0023 Ionization electrode with gasket |
| 0011 Gasket for radial fan | |
| 0012 Gasket for burner mesh | |
| 0013 Turbulator disc | |



VITOCROSSAL 300

CU3A Series

Model No.	Serial No.
CU3A 26 Boiler	7553000□□□□□□□□
CU3A 35 Boiler	7553001□□□□□□□□
CU3A 45 Boiler	7553002□□□□□□□□
CU3A 57 Boiler	7553003□□□□□□□□

Other Parts

- 0004 Decorative stripe
- 0005 Touch-up spray paint, silver
- 0006 Touch-up paint stick, silver

