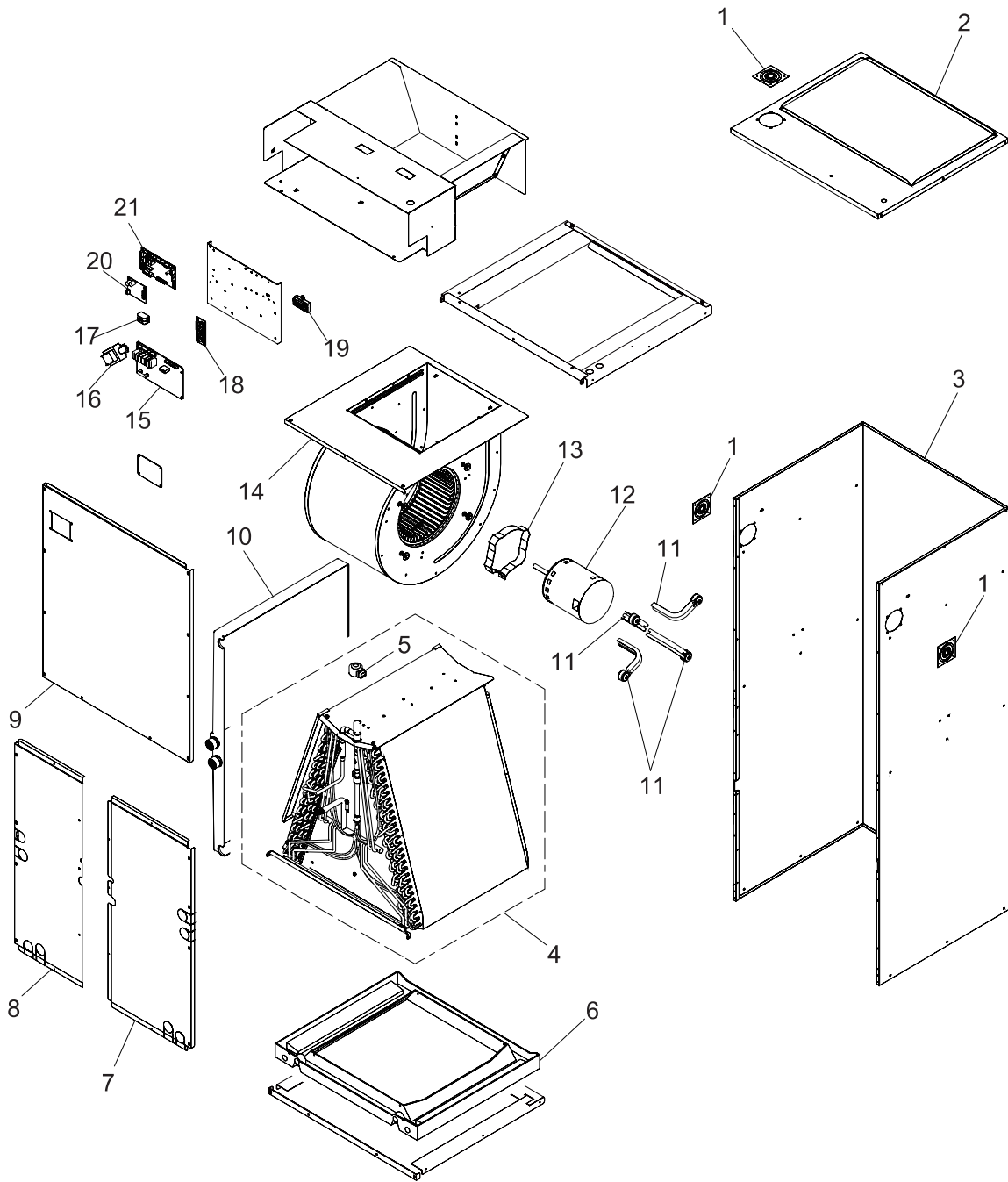


3. Models: ARUX48TLAV2 and ARUX60TLAV2



Item no.	Part no.	Part name	Service part
1	R87BCC013	Knock out patch plate	◆
2	R87FJL002	Top large cabinet	◆
3	R87FJL001	Wrapper large AH	◆
4	FJU48-9	Coil assembly (for 48 model)	◆
	FJU60-17	Coil assembly (for 60 model)	◆
5	9970105050	Expansion valve coil	◆
6	R86EB0251F	Vertical plastic pan (71AA0037)	◆
7	R87FJL005	Coil door right side large AH	◆
8	R87FJL004	Coil door left side large AH	◆
9	R87FJL003	Blower door large AH	◆
10	R86EB0250F	Horizontal plastic pan (71AA0038)	◆
11	R66AB0066	Motor mount arm & grommet 4L med & LG AH	◆
12	R65BV0027R-48FJ	Motor 3/4 HP 208/230 V X13 (for 48 model)	◆
	R65BV0027R-60FJ	Motor 3/4 HP 208/230 V X13 (for 60 model)	◆
13	R66AB0065	Motor mount band 4L med & LG AH	◆
14	R69AD0017	12X9R DD 1/2 CLW CV HSG & WHL	◆
15	9710167003	Power supply PCB	◆
16	R68AA0011	Transformer 30 VA 208/240 V BE342630GEK	◆
17	9703873027	Terminal	◆
18	9707732030	Switch PCB	◆
19	9707736038	Terminal PCB	◆
	9378345010	PWB holder B	◆
20	9709373026	Communication PCB	◆
21	9711729040	Main PCB	◆
—	R73FJ0006	Wire harness for motor	◆
—	R73FJ0002	Wire power harness for motor	◆
—	9709199022	Wire with connector CN102 [DC-SUPPLY] on Power supply PCB—CN260 on Main PCB	◆
—	9709201022	Wire with connector CN104 [POWER DRIVE] on Power supply PCB— CN261 on Main PCB	◆
—	9707853032	Wire with connector CN800 on Main PCB—CN601 on Switch PCB	◆
—	9707854022	Wire assy CN5 on Main PCB—Heat exchanger thermistor	◆
—	9708373010	Wire with terminal L1—Transformer [black]	◆
—	9702299118	Wire with terminal L2—Transformer [white]	◆
—	9710225000	Wire with connector Transformer—CN113 [AC 24 IN] on Power supply PCB	◆
—	9709197059	Wire with connector CN501 on Terminal PCB—CN306 on Communication PCB	◆
—	9710756054	Wire with connector CN502 on Terminal PCB—CNC01 on Main PCB	◆
—	9710223006	Wire with connector CN110 [FAN CONT] on Power supply PCB—Motor signal relay [High]	◆
—	9710223013	Wire with connector CN110 [FAN CONT] on Power supply PCB—Motor signal relay [Standard]	◆
—	9710223020	Wire with connector CN110 [FAN CONT] on Power supply PCB—Motor signal relay [Low]	◆

Item no.	Part no.	Part name	Service part
—	9710224003	Wire with connector CN114 on Power supply PCB—CN263 [POWER PWB COM] on Main PCB	◆
—	9901014048	Pipe thermistor	◆
—	9900825027	Pipe temperature thermistor	◆
—	9900960063	Room temperature thermistor	◆
—	9316577008	Thermistor spring B	◆
—	313728262708	Thermistor spring A	◆