

SECTION VIII: ACCESSORY AND REPLACEMENT PARTS LISTS

MSVE, MSVT, MSPS	
Part #	Description
DFK44-12-DX	Downflow Conversion Kit - Small Cabinet - 12 Tubes High - DX Coil
DFK44-14-DX	Downflow Conversion Kit - Small Cabinet - 14 Tubes High - DX Coil
DFK44-16-DX	Downflow Conversion Kit - Small Cabinet - 16 Tubes High - DX Coil
DFK44-16-CW	Downflow Conversion Kit - Small Cabinet - 16 Tubes High - Chilled Water Coil
DFK45-14-DX	Downflow Conversion Kit - Medium Cabinet - 14 Tubes High - DX Coil
DFK45-16-DX	Downflow Conversion Kit - Medium Cabinet - 16 Tubes High - DX Coil
DFK45-18-DX	Downflow Conversion Kit - Medium Cabinet - 18 Tubes High - DX Coil
DFK45-20-DX	Downflow Conversion Kit - Medium Cabinet - 20 Tubes High - DX Coil
DFK45-20-CW	Downflow Conversion Kit - Medium Cabinet - 20 Tubes High - Chilled Water Coil
DFK18-16-DX	Downflow Conversion Kit - Large Cabinet - 16 Tubes High - DX Coil
DFK18-18-DX	Downflow Conversion Kit - Large Cabinet - 18 Tubes High - DX Coil
DFK18-20-DX	Downflow Conversion Kit - Large Cabinet - 20 Tubes High - DX Coil
DFK18-22-DX	Downflow Conversion Kit - Large Cabinet - 22 Tubes High - DX Coil
DFK18-24-DX	Downflow Conversion Kit - Large Cabinet - 24 Tubes High - DX Coil
DFK18-28-DX	Downflow Conversion Kit - Large Cabinet - 28 Tubes High - DX Coil
DFK18-28-CW	Downflow Conversion Kit - Large Cabinet - 28 Tubes High - Chilled Water Coil
BSHK05B	Small Cabinet 5 kW Heater Kit with circuit breakers
BSHK10B	Small Cabinet 10 kW Heater Kit with circuit breakers
SSHK05B	Small Cabinet 5 kW Heater Kit, no circuit breakers
SSHK10B	Small Cabinet 10 kW Heater Kit, no circuit breakers
BMHK05B	Medium Cabinet 5 kW Heater Kit with circuit breakers
BMHK10B	Medium Cabinet 10 kW Heater Kit with circuit breakers
BMHK15B	Medium Cabinet 15kW Heater Kit with circuit breakers
SMHK05B	Medium Cabinet 5 kW Heater Kit, no circuit breakers
SMHK10B	Medium Cabinet 10 kW Heater Kit, no circuit breakers
BLHK05B	Large Cabinet 5 kW Heater Kit with circuit breakers
BLHK10B	Large Cabinet 10 kW Heater Kit with circuit breakers
BLHK15B	Large Cabinet 15 kW Heater Kit with circuit breakers
BLHK20B	Large Cabinet 20 kW Heater Kit with circuit breakers
SLHK05B	Large Cabinet 5 kW Heater Kit, no circuit breakers
SLHK10B	Large Cabinet 10 kW Heater Kit, no circuit breakers
R72DB0005	Field Installed Thermal Expansion Valve - 15% Bleed - R-22 - 1.5 - 3.0 Tons
R72DB0003	Field Installed Thermal Expansion Valve - 15% Bleed - R-410A - 1.5 - 2.5 Tons
R72DB0006	Field Installed Thermal Expansion Valve - 15% Bleed - R-22 - 3.0 - 5.0 Tons
R72DB0044	Field Installed Thermal Expansion Valve - Non Bleed - R-410A - 3.5 - 6.0 Tons
86ET0001	Accessory 20 x 20 x 2 Filter Base Kit
86ET0002	Accessory 16 x 20 x 2 Filter Base Kit
86ET0003	Accessory 20 x 24 x 2 Filter Base Kit

Table 11: MSVE, MSVT, MSPS Accessory Parts List

SECTION IX: REPLACEMENT PARTS LISTS

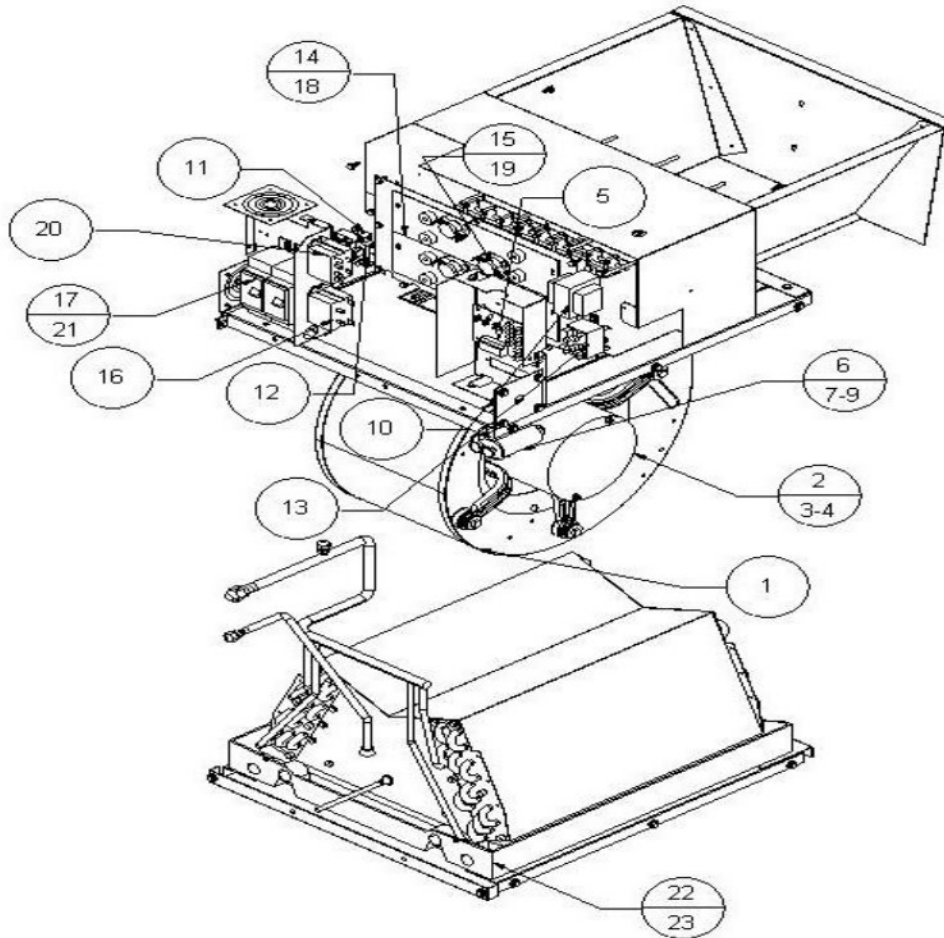


Figure 21: MS 18–24 Electric Heat Air Handler Repair Parts Schematic

MS**18, 24 COOL ONLY OR ELECTRIC HEAT			
Item #	Qty.	Part #	Description
1	1	R69AD0001	9 X 6 Blower Assembly
2	1	R65BV0001	1/3 HP 208/240V ECM Motor 208/240V
3	1	R65BV0025	1/3 HP 208/240V X-13 Motor 208/240V
4	1	R65BU0168	1/3 HP 208/240V PSC Motor 208/240V
5	1	R68AE0003	ECM Motor Control Board
6	1	R68DE0003	5 MFD/370V Capacitor
7	1	R68AA0003	208/240-24V Transformer
8	1	R68DC0001	Ground Lug
9	1	R68DC0018	Power Terminal Block
10	1	R68AB0001	Fan Relay for X-13 and PSC Motor
5 KW Electric Heat MS**18,24			
11	1	R86CG0073	5 KW Element
12	1	R68CA0003	Limit Switch
13	1	R68AB0008	Single Pole Heat Relay (X-13 & ECM Motors Only)
14	1	R68BAD013	30 Amp Circuit Breaker
10 KW Electric Heat MS**18,24			
15	1	R86CG0074	10 KW Element
16	2	R68CA0003	Limit Switch
17	1	R68AB0007	Double Pole Heat Relay (X-13 & ECM Motors Only)
18	1	R68BAD018	60 Amp Circuit Breaker
DRAIN PANS (PLASTIC)			
19	1	R86EB0202	16.625" W x 19.000" D - Vertical (71AA0013)
20	1	R86EB0252	20.250" H x 19.500" D - Horizontal (71AA0046)

Table 12: MS 18-24 Electric Heat Air Handler Repair Parts List

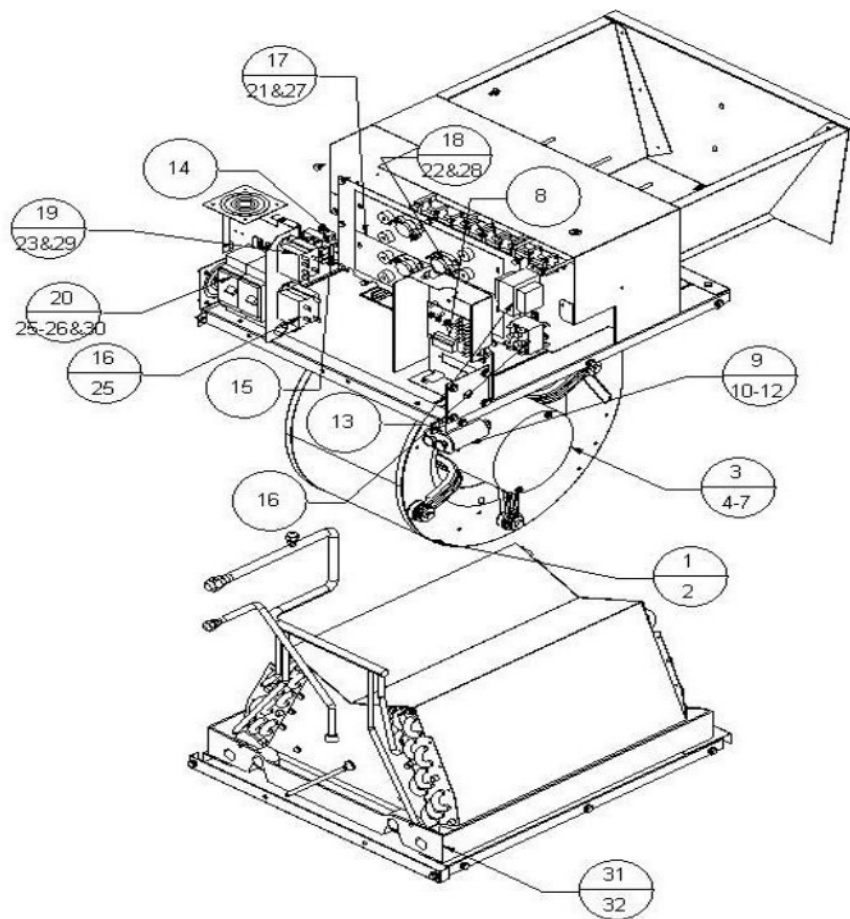


Figure 22: MS 25-30-36 Electric Heat Air Handler Repair Parts Schematic

MS**25, 30, 36 COOL ONLY OR ELECTRIC HEAT			
Item #	Qty.	Part #	Description
1	1	R69AD0002	10 X 7 Blower Assembly
2	1	R65BV0002	1/2 HP 208/240V ECM Motor 208/240V
3	1	R65BV0026	1/2 HP 208/240V X-13 Motor 208/240V
4	1	R65BU0159	1/2 HP 208/240V PSC Motor 208/240V
5	1	R68AE0003	ECM Motor Control Board
6	1	R68DE0001	10 MFD/370V Capacitor
7	1	R68AA0003	208/240-24V Transformer
8	1	R68DC0001	Ground Lug
9	1	R68DC0018	Power Terminal Block
10	1	R68AB0001	Fan Relay for X-13 and PSC Motor
5 KW Electric Heat MS**25, 30, 36			
11	1	R86CG0073	5 KW Element
12	1	R68CA0003	Limit Switch
13	1	R68AB0008	Single Pole Heat Relay (X-13 & ECM Motors Only)
14	1	R68BAD013	30 Amp Circuit Breaker
10 KW Electric Heat MS**25, 30, 36			
15	1	R86CG0074	10 KW Element
16	2	R68CA0003	Limit Switch
17	1	R68AB0007	Double Pole Heat Relay (X-13 & ECM Motors Only)
18	1	R68BAD018	60 Amp Circuit Breaker
15 KW Electric Heat MS**25, 30, 36			
19	1	R86CG0075	15 KW Element
20	3	R68CA0003	Limit Switch
21	1	R68AB0007	Double Pole Heat Relay (X-13 & ECM Motors Only)
22	1	R68AB0008	Single Pole Heat Relay (X-13 & ECM Motors Only)
23	1	R68BAD018	60 Amp Circuit Breaker
24	1	R68BAD013	30 Amp Circuit Breaker
DRAIN PANS (PLASTIC)			
25	1	R86EB0204	19.625" W x 19.000" D - Vertical (71AA0015)
26	1	R86EB0222	23.875" H x 19.500" D - Horizontal (71AA0031)

Table 13: MS 25-30-36 Electric Heat Air Handler Repair Parts List

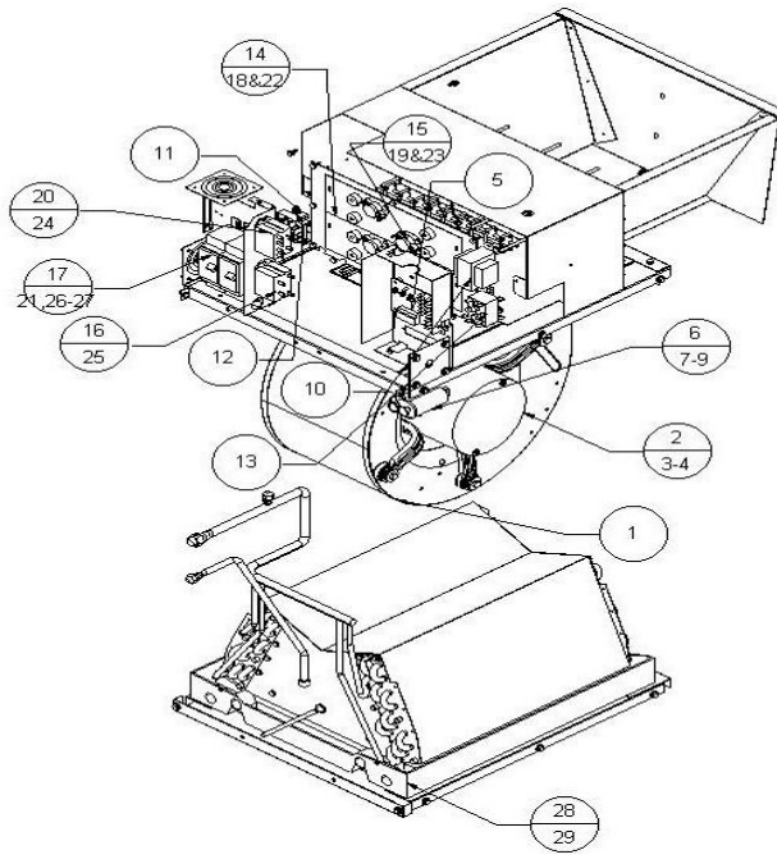


Figure 23: MS 37-42-48-60-72 Electric Heat Air Handler Repair Parts Schematic

MS**37, 42, 48, 60, 72 COOL ONLY OR ELECTRIC HEAT			
Item #	Qty.	Part #	Description
1	1	R69AD0017	12 x 9 Blower Assembly (MS**37,42,48,60)
2	1	R69AD0019	12 x 10 Blower Assembly (MS**72)
3	1	R65BV0003	3/4 HP 208/240V ECM Motor (MS**37,42,48,60)
4	1	R65BV0027	3/4 HP 208/240V X-13 Motor (MS**37,42,48,60)
5	1	R65BU0160	3/4 HP 208/240V PSC Motor (MS**37,42,48,60)
6	1	R65BV0004	1 HP 208/240V ECM Motor (MS**72)
7	1	R65BV0028	1 HP 208/240V X-13 Motor (MS**72)
8	1	R65BU0161	1 HP 208/240V PSC Motor (MS**72)
9	1	R68AE0003	ECM Motor Control Board
10	1	R68DE0002	15 MFD/370V Capacitor (Used on 3/4 HP PSC Motor)
11	1	R68DE0004	25 MFD/370V Capacitor (Used on 1.0 HP PSC Motor)
12	1	R68AA0003	208/240-24V Transformer
13	1	R68DC0001	Ground Lug
14	1	R68DC0018	Power Terminal Block
15	1	R68AB0001	Fan Relay for X-13 and PSC Motor
10 KW Electric Heat MS**37, 42, 48, 60, 72			
16	1	R86CG0074	10 KW Element
17	2	R68CA0003	Limit Switch
18	1	R68AB0007	Double Pole Heat Relay (X-13 & ECM Motors Only)
19	1	R68BAD018	60 Amp Circuit Breaker
15 KW Electric Heat MS**25, 30, 36, 42, 48, 60, 72			
20	1	R86CG0075	15 KW Element
21	3	R68CA0003	Limit Switch
22	1	R68AB0007	Double Pole Heat Relay (X-13 & ECM Motors Only)
23	1	R68AB0008	Single Pole Heat Relay (X-13 & ECM Motors Only)
24	1	R68BAD018	60 Amp Circuit Breaker
25	1	R68BAD013	30 Amp Circuit Breaker
20 KW Electric Heat MS**37, 42, 48, 60, 72			
26	2	R86CG0074	10 KW Element
27	4	R68CA0003	Limit Switch
28	2	R68AB0007	Double Pole Heat Relay (X-13 & ECM Motors Only)
29	2	R68BAD018	60 Amp Circuit Breaker
DRAIN PANS (PLASTIC)			
30	1	R86EB0250	23.625" W x 20.500" D - Vertical (71AA0037)
31	1	R86EB0251	32.125" H x 20.750" D - Horizontal (71AA0038)

Table 14: MS 37-42-48-60-72 Electric Heat Air Handler Repair Parts List

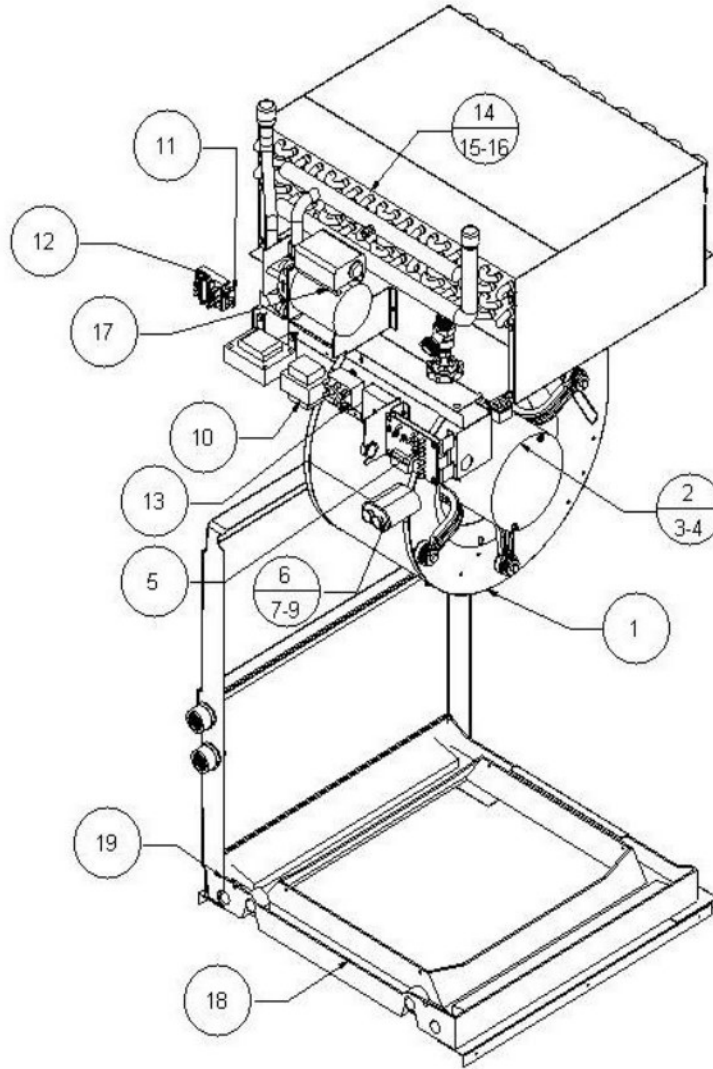


Figure 24: MS 18-24 Hydronic Heat Air Handler Repair Parts Schematic

MS**18, 24 HYDRONIC HEATING			
Item #	Qty.	Part #	Description
1	1	R69AD0002	10 X 7 Blower Assembly
2	1	R65BV0001	1/3 HP 120V ECM Motor
3	1	R65BV0021	1/3 HP 120V X-13 Motor
4	1	R65BU0162	1/3 HP 120V PSC Motor
5	1	R68AE0003	ECM Motor Control Board
6	1	R68DE0001	10 MFD/370V Capacitor
7	1	R68AA0002	120-24V Transformer
8	1	R68DC0001	Ground Lug
9	1	R68DC0018	Power Terminal Block
10	1	R68AB0001	Fan Relay for X-13 and PSC Motor
11	1	R86CH0017	2 Row Hydronic Coil 14.75X16
12	1	R86CH0018	3 Row Hydronic Coil 14.75X16
13	1	R86CH0025	4 Row Hydronic Coil 14.75X16
14	1	R78AA0007	3 GPM Pump 120V
DRAIN PANS (PLASTIC)			
15	1	R86EB0202	16.625" W x 19.000" D - Vertical (71AA0013)
16	1	R86EB0252	20.250" H x 19.500" D - Horizontal (71AA0046)

Table 15: MS 18-24 Hydronic Heat Air Handler Repair Parts List

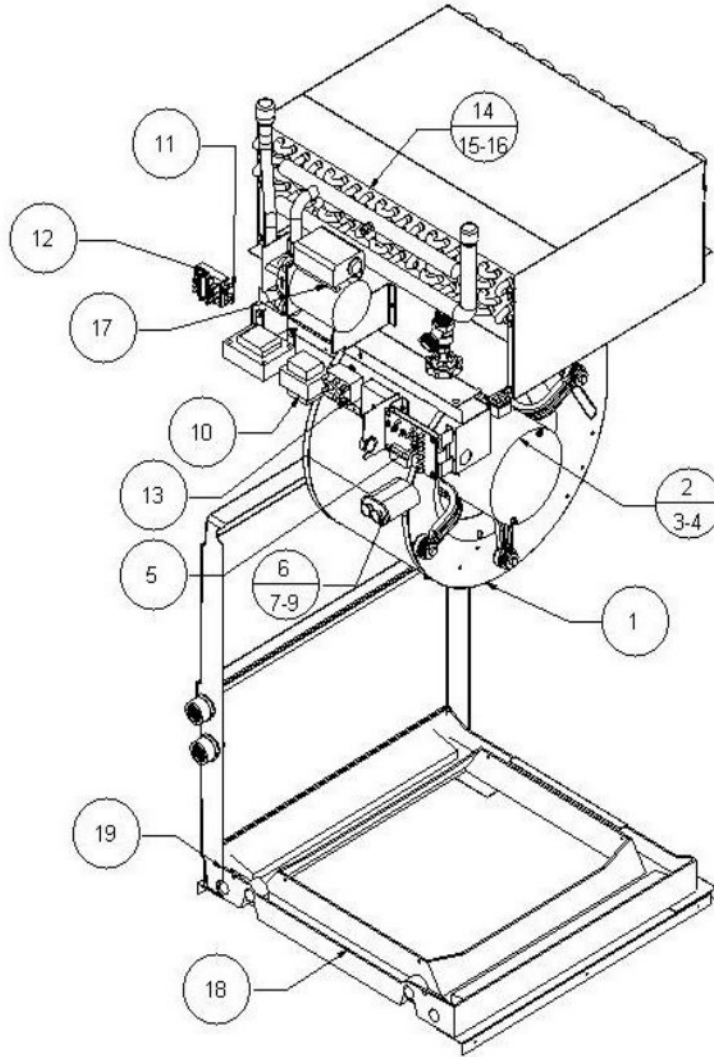


Figure 25: MS 25-30-36 Hydronic Heat Air Handler Repair Parts Schematic

MS**25, 30, 36 HYDRONIC HEATING			
Item #	Qty.	Part #	Description
1	1	R69AD0002	10 X 7 Blower Assembly
2	1	R65BV0002	1/2 HP 120V ECM Motor
3	1	R65BV0022	1/2 HP 120V X-13 Motor
4	1	R65BU0163	1/2 HP 120V PSC Motor
5	1	R68AE0003	ECM Motor Control Board
6	1	R68DE0001	10 MFD/370V Capacitor
7	1	R68AA0002	120-24V Transformer
8	1	R68DC0001	Ground Lug
9	1	R68DC0018	Power Terminal Block
10	1	R68AB0001	Fan Relay for X-13 and PSC Motor
11	1	R86CH0019	2 Row Hydronic Coil 14.75X20
12	1	R86CH0020	3 Row Hydronic Coil 14.75X20
13	1	R86CH0021	4 Row Hydronic Coil 14.75X20
14	1	R78AA0007	3 GPM Pump 120V
DRAIN PANS (PLASTIC)			
15	1	R86EB0204	19.625" W x 19.000" D - Vertical (71AA0015)
16	1	R86EB0222	23.875" H x 19.500" D - Horizontal (71AA0031)

Table 16: MS 25-30-36 Hydronic Heat Air Handler Repair Parts List

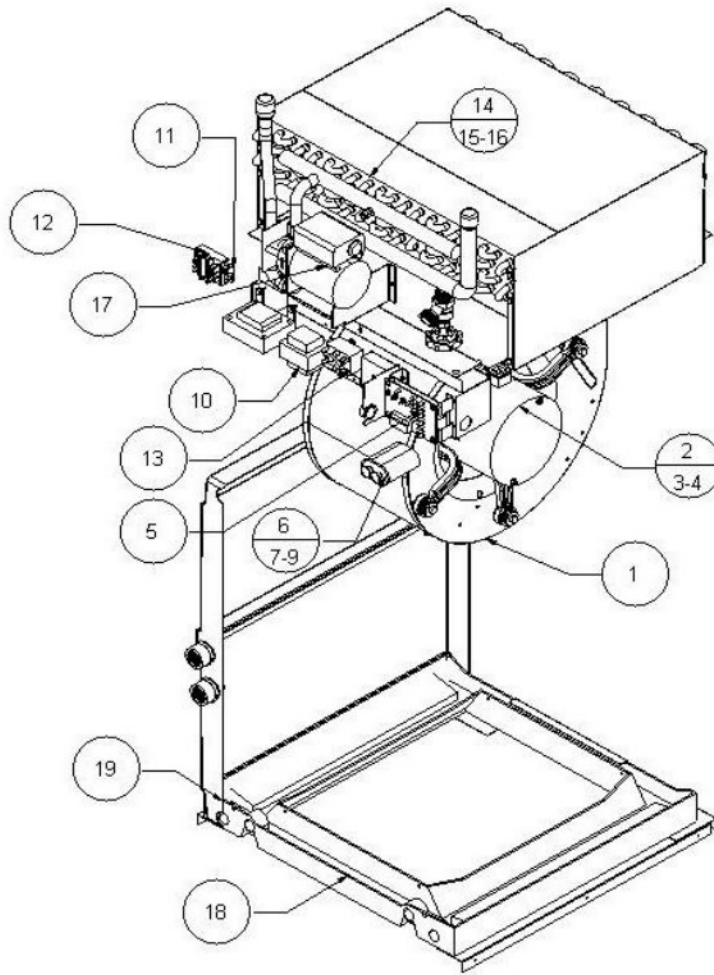


Figure 26: MS 37-42-48-60-72 Hydronic Heat Air Handler Repair Parts Schematic

MS**37, 42, 48, 60, 72 HYDRONIC HEATING			
Item #	Qty.	Part #	Description
1	1	R69AD0017	12 x 9 Blower Assembly (MS**37,42,48,60)
2	1	R69AD0019	12 x 10 Blower Assembly (MS**72)
3	1	R65BV0004	1.0 HP 120V ECM Motor
4	1	R65BV0024	1.0 HP 120V X-13 Motor
5	1	R65BU0165	1.0 HP 120V PSC Motor (Used on 72 Only)
6	1	R65BU0164	3/4 HP 120V PSC Motor (Used on 37, 42, 48 and 60)
7	1	R68AE0003	ECM Motor Control Board
8	1	R68DE0002	15 MFD/370V Capacitor (Used on 1.0 HP PSC Motor)
9	1	R68DE0004	25 MFD/370V Capacitor (Used on 3/4 HP PSC Motor)
10	1	R68AA0002	120-24V Transformer
11	1	R68DC0001	Ground Lug
12	1	R68DC0018	Power Terminal Block
13	1	R68AB0001	Fan Relay for X-13 and PSC Motor
14	1	R68AA0004	Choke
15	1	R86CH0022	2 Row Hydronic Coil 15.75X24
16	1	R86CH0023	3 Row Hydronic Coil 15.75X24
17	1	R86CH0024	4 Row Hydronic Coil 15.75X24
18	1	R78AA0008	7 GPM Pump 120V
DRAIN PANS (PLASTIC)			
19	1	R86EB0250	23.625" W x 20.500" D - Vertical (71AA0037)
20	1	R86EB0251	32.125" H x 20.750" D - Horizontal (71AA0038)

Table 17: MS 37-42-48-60-72 Hydronic Heat Air Handler Repair Parts List