

9 Spare parts

The following spare parts are available from Buderus Hydronic Systems. If there are several Buderus article numbers for one item number, the numbers for the various models are listed in the relevant columns. Otherwise the table shows the number of components for each model.

Boiler outer casing (→ Fig. 50)

Item No.	Designation	Product-number	G234X/38 5 sections	G234X/45 5 sections	G234X/55 6 sections	G234X/64 7 sections
10	Boiler jacket (complete)	5024-	240	240	242	244
20	Left jacket	6302 9212	1	1	1	1
30	Jacket clip SNU-5743	5834 364	2	2	2	2
40	Right jacket	6302 9211	1	1	1	1
50	Front jacket	6302-	9199	9199	9198	9197
60	"Buderus" sign	6790 2840	1	1	1	1
70	Top front cover	5024-	061	061	063	065
80	Top rear cover	5024-	081	081	083	085
	Mounting kit no. 1	5015 951	1	1	1	1

Tab. 13 Individual parts boiler casing

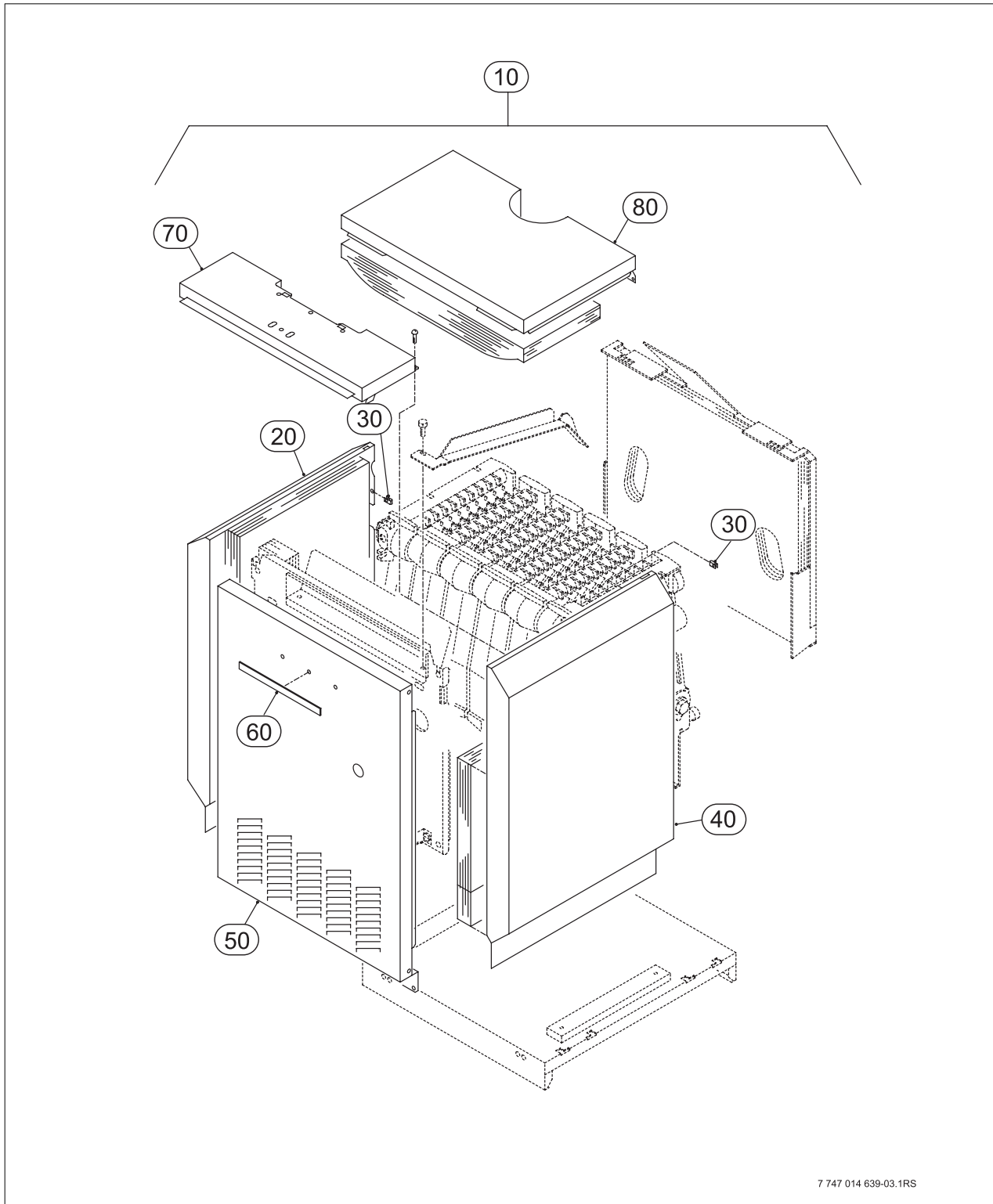


Fig. 50 Boiler casing

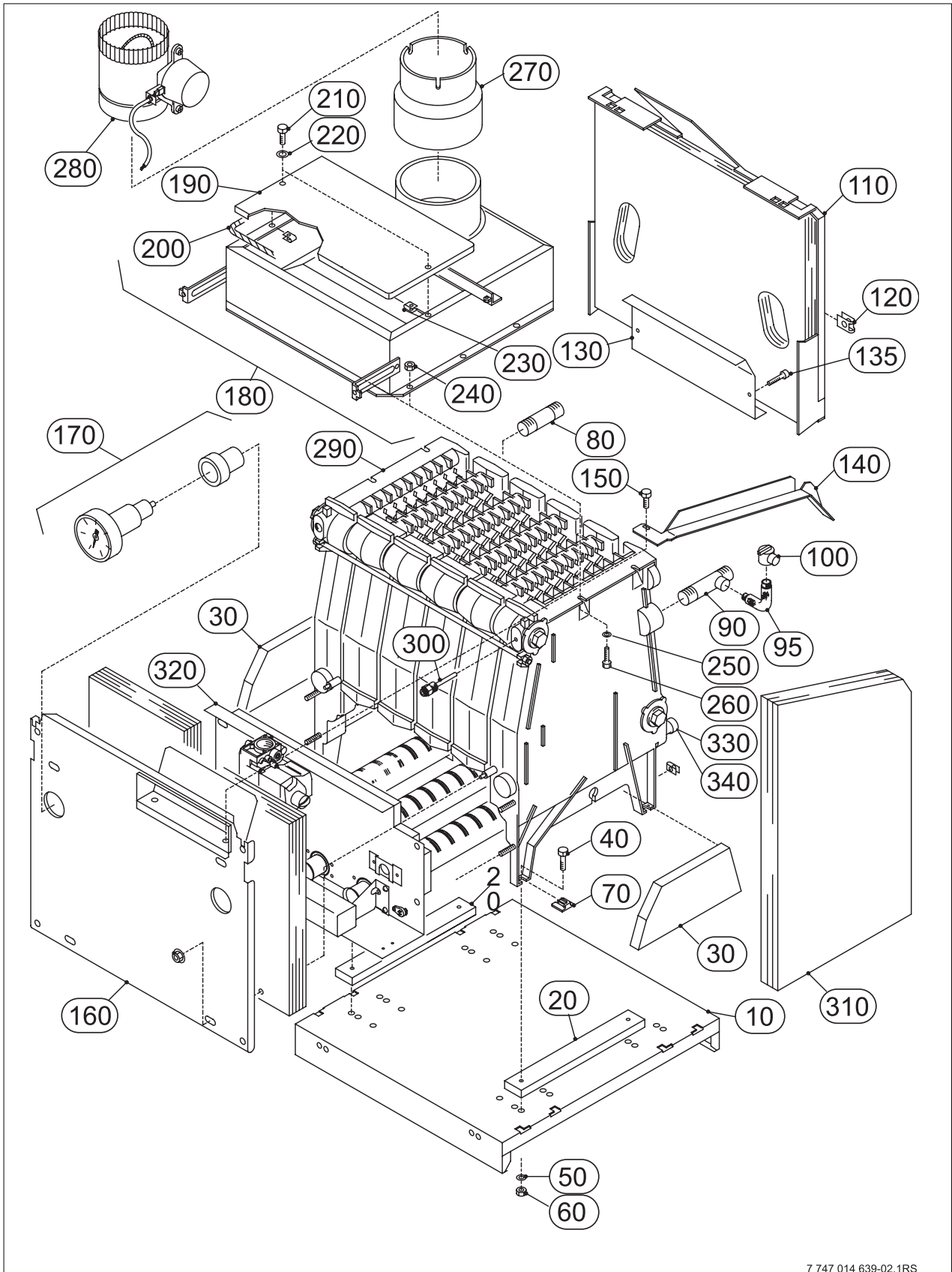
Boiler heat exchanger (→ Fig. 51)

Item No.	Designation	Product-number	G234X/38 5 sections	G234X/45 5 sections	G234X/55 6 sections	G234X/64 7 sections
10	Bottom cover, non-combustible	5024-	140	140	142	144
20	Suspension plate	5015 257	2	2	2	2
30	Shield rear	5015 273	2	2	2	2
40	Screw M8x25	→ Mounting kit no. 2	4	4	4	4
50	Lock washer	→ Mounting kit no. 2	4	4	4	4
60	M8-8-A3K nut	→ Mounting kit no. 2	4	4	4	4
70	Block shoe	→ Mounting kit no. 2	4	4	4	4
80	Return pipe	5584 754	1	1	1	1
90	Supply pipe	5584 752	1	1	1	1
95	3/4" 90° elbow	9990 8401	1	1	1	1
100	Safety relief valve	5947 650	1	1	1	1
110	Rear jacket	63002-	790	790	791	792
120	Jacket clip SNU-5743	→ Mounting kit no. 2	2	2	2	2
130	Shield for rear jacket	5512-	526	526	528	530
135	Screw C-ST 4.8x22	→ Mounting kit no. 2	2	2	2	2
140	Conduit	5495 471	1	1	1	1
150	Screw 3.5x9.5-A3T	→ Mounting kit no. 2	1	1	1	1
160	Partition wall	63002-	776	776	777	778
170	Tridicator set	5900 076	1	1	1	1
180	Draft diverter		6302 2583	6302 2583	6302 2582	5624 535
190	Clean out cover	5371-	923	923	924	925
200	Sealant rope GP 6x1500 mm	6302 0956			1	
200	Sealant rope GP 8x3000	6302 0958				1
200	Sealant rope GP 6x10000	5822 706				
	Buderus sealant - 3055	6301 4362	1	1	1	1

Tab. 14 Individual parts of boiler heat exchanger

Item No.	Designation	Product-number	G234X/38 5 sections	G234X/45 5 sections	G234X/55 6 sections	G234X/64 7 sections
210	Screw M6x16-MS	→ Mounting kit no. 3	2	2	2	2
220	Washer A 6.4	→ Mounting kit no. 3	2	2	2	2
230	Jacket clip M6-A3F-MCU5315	→ Mounting kit no. 3	2	2	2	2
	Glue PK-W11	2037 038	1	1	1	1
240	M8 nut	→ Mounting kit no. 3	4	4	4	4
250	Washer	→ Mounting kit no. 3	4	4	4	4
260	Screw M8-25	→ Mounting kit no. 3	4	4	4	4
270	Adapter for the flue outlet 7" D182.5M	5384 516	1	1	1	
270	Adapter for the flue outlet 8" D202.5M	5384 508				1
280	Vent damper RVGP-KS 7 inch BKF	9990 8399	1	1	1	
280	Vent damper RVGP-KS 8 inch BKF	9990 8400				1
290	Boiler heat exchanger	67900-	358	358	359	360
300	Sensor well	5446 190	1	1	1	1
310	Thermal insulation	6790 0566	1	1	1	1
320	Burner AE234X "US" replacement	5181-	736	748	738	740
	Mounting kit no. 2	5621 818	1	1	1	1
	Mounting kit no. 3	5621 819	1	1	1	1
330	Reducer DIN 2950 241 1" x 3/4"	3869 828	1	1	1	1
340	Pipe extension DIN 2950 526 3/4" x 80	320 840	1	1	1	1

Tab. 14 Individual parts of boiler heat exchanger



7 747 014 639-02.1RS

Fig. 51 Boiler heat exchanger

Control unit GAW025 US (→ Fig. 52)

Item No.	Designation	Product-number	G234X/38 5 sections	G234X/45 5 sections	G234X/55 6 sections	G234X/64 7 sections
10	Control unit GAW025 US	5557 946	1	1	1	1
20	Cable protector	→ Installation material no. 4	1	1	1	1
30	Attachment bracket for flue gas safety switch	→ Installation material no. 4	1	1	1	1
40	Flue gas safety switch	7079 498	1	1	1	1
50	Screw F ST 3.5x6.5 A3K	→ Installation material no. 4	2	2	2	2
60	Cable assembly	5182 064	2	2	2	2
70	Screw KA 3.5x16	→ Installation material no. 4	2	2	2	2
80	Terminal strip	→ Installation material no. 4	1	1	1	1
90	Screw C ST 2.9x16 A3K	→ Installation material no. 4	2	2	2	2
100	Cable clamp	→ Installation material no. 4	2	2	2	2
110	Cable assembly	6301 5744	1	1	1	1
120	Cable orange/black	7079 806	1	1	1	1
130	Screw (flat head) 3.9x9.5 A3K	→ Installation material no. 4	4	4	4	4
140	Burner control unit	7747 007 839	1	1	1	1
150	Aquastat	5996 360	1	1	1	1
170	Cable assembly	7079 804	1	1	1	1
	Mounting kit no. 4	7079 764	1	1	1	1

Tab. 15 Individual parts control unit GAW025 US

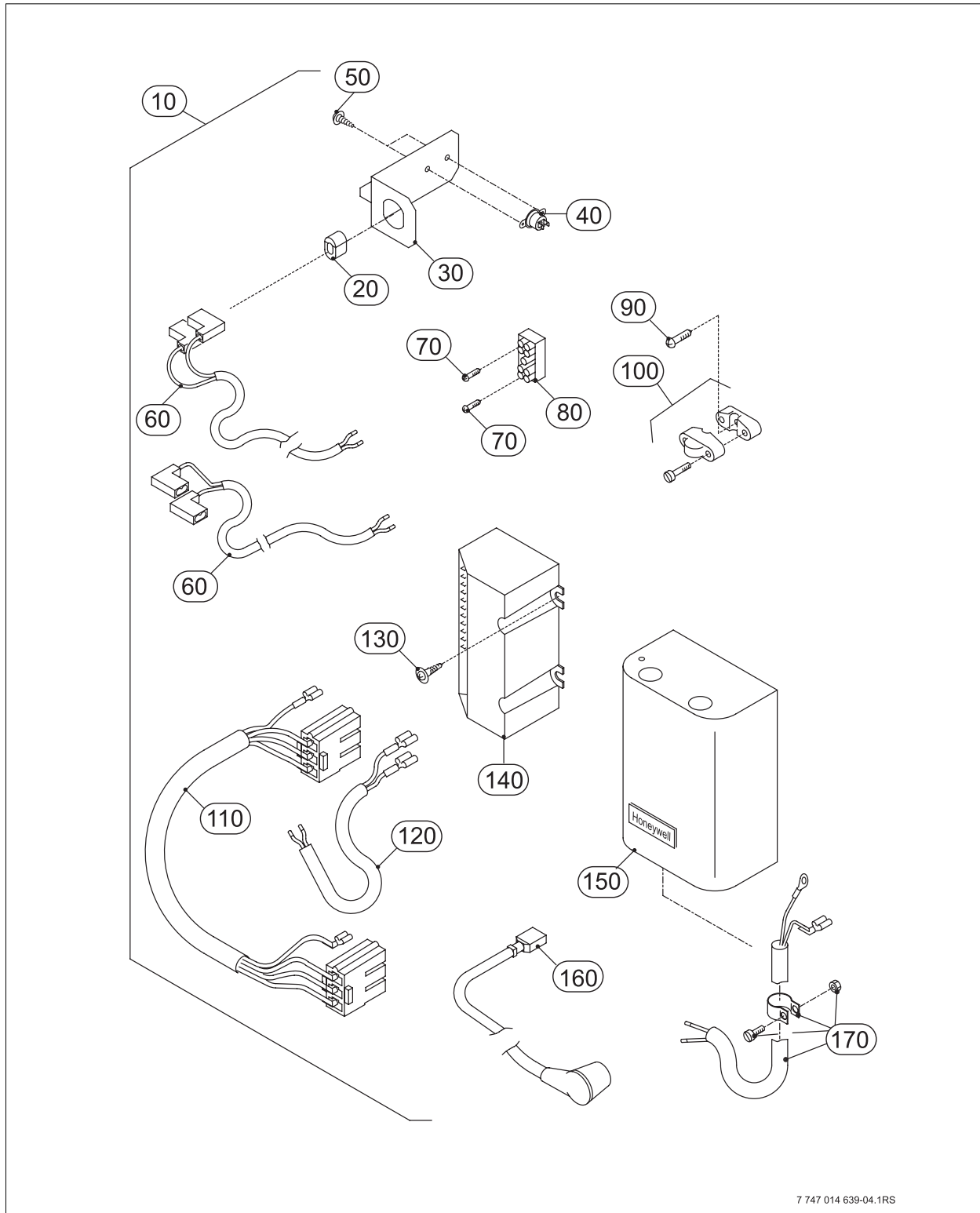


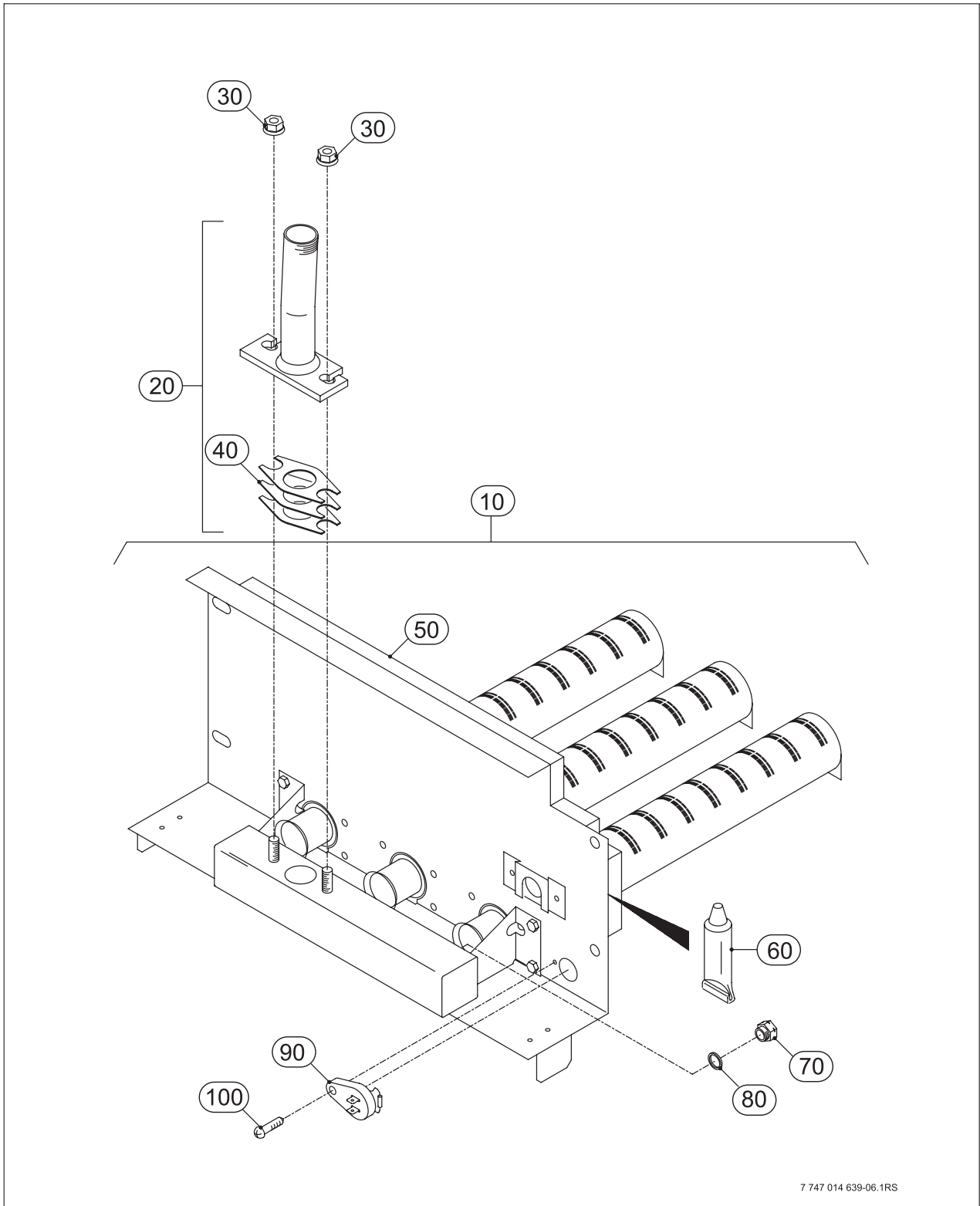
Fig. 52 Control unit GAW025 US

7 747 014 639-04.1RS

Gas distributor (→ Fig. 53)

Item No.	Designation	Product-number	G234X/38 5 sections	G234X/45 5 sections	G234X/55 6 sections	G234X/64 7 sections
10	Burner assembly	5181-	742	742	744	746
20	Gas pipe	7747 002 195	1	1	1	1
30	M8 nut	→ Installation material no. 5	2	2	2	2
40	Gasket	5489 280	3	3	3	3
50	Heat shield incl. glue	5181 396	1	1	1	1
60	Glue for heat shield	2037 312	1	1	1	1
	All factory installed nozzles are for elevation of 0 - 2000 ft (0-610 m). Contact Buderus for high elevation kits.					
70	Nozzle set NG-0-2000 ft (0-610 m)	5484-	176 (3x)	176 (3x)	168 (4x)	184 (4x)
80	Gasket	5883 094	3	3	4	4
90	Flame escape switch 171°F (77 °C)	5176 272	1	1	1	1
100	Screw M4x16 ST	→ Installation material no. 5	1	1	1	1
	Mounting kit no. 5	5181 883	1	1	1	1

Tab. 16 Individual parts of gas distributor



7 747 014 639-06.1RS

Fig. 53 Gas distributor

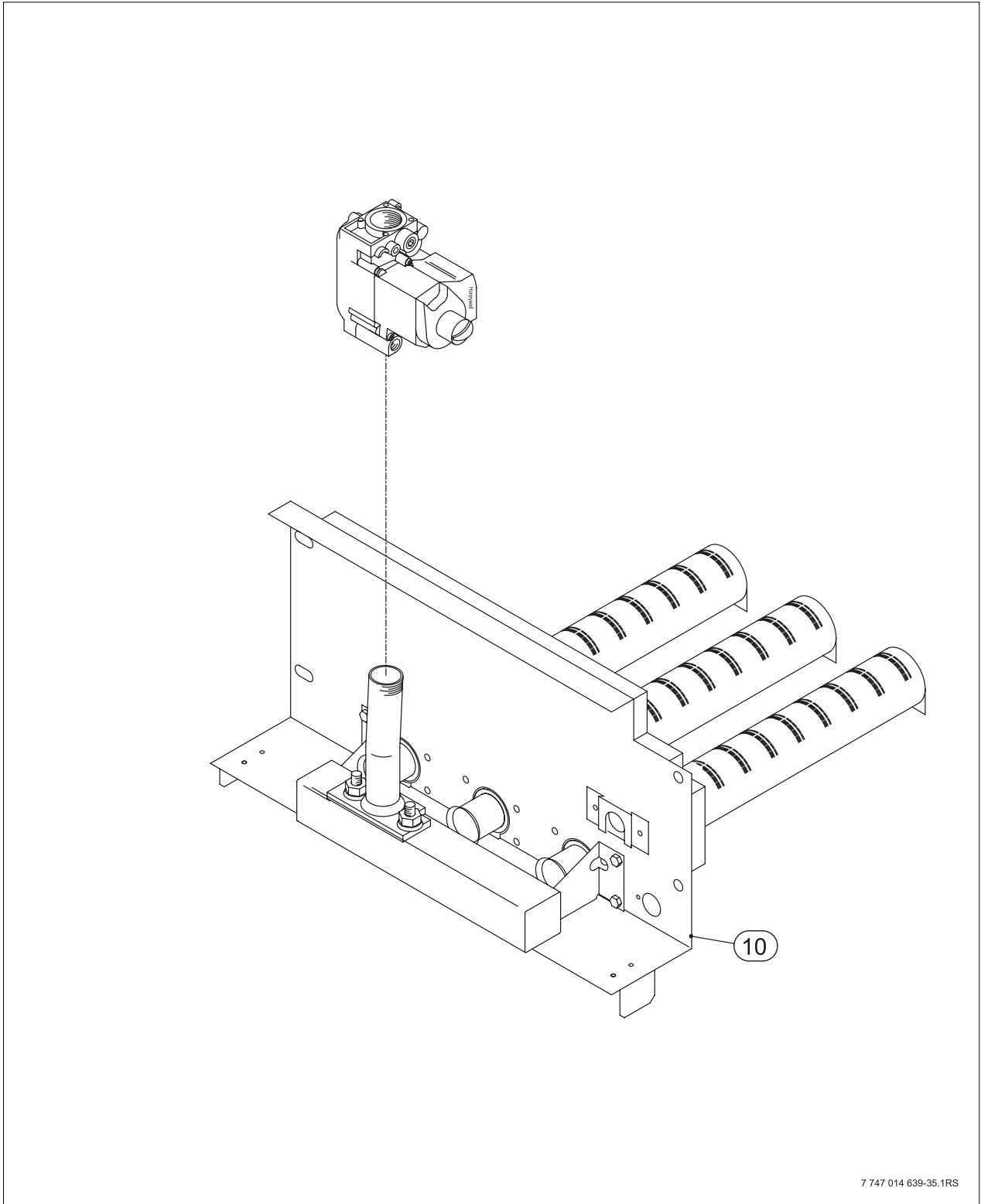
Burner models, gas conversion parts G234X US (→ Fig. 54)



The complete burner is supplied only in the model for natural gas G20 for 0 - 2000 feet (0 - 610 m). If you want another model burner, you must also order the appropriate gas conversion parts. The replaced parts must remain with the heating system for a possible future reconversion.

Item No.	Designation	Product-number	G234X/38 5 sections	G234X/45 5 sections	G234X/55 6 sections	G234X/64 7 sections
10	Burner AE234X "US" replacement	5181-	736	748	738	740
	NG Kit G234X 0 - 2000 ft "US"	5993-	394	394	396	398
	LP Kit G234X 0 - 2000 ft "US"	5993-	336	338	340	344

Tab. 17 Individual parts gas type conversion parts



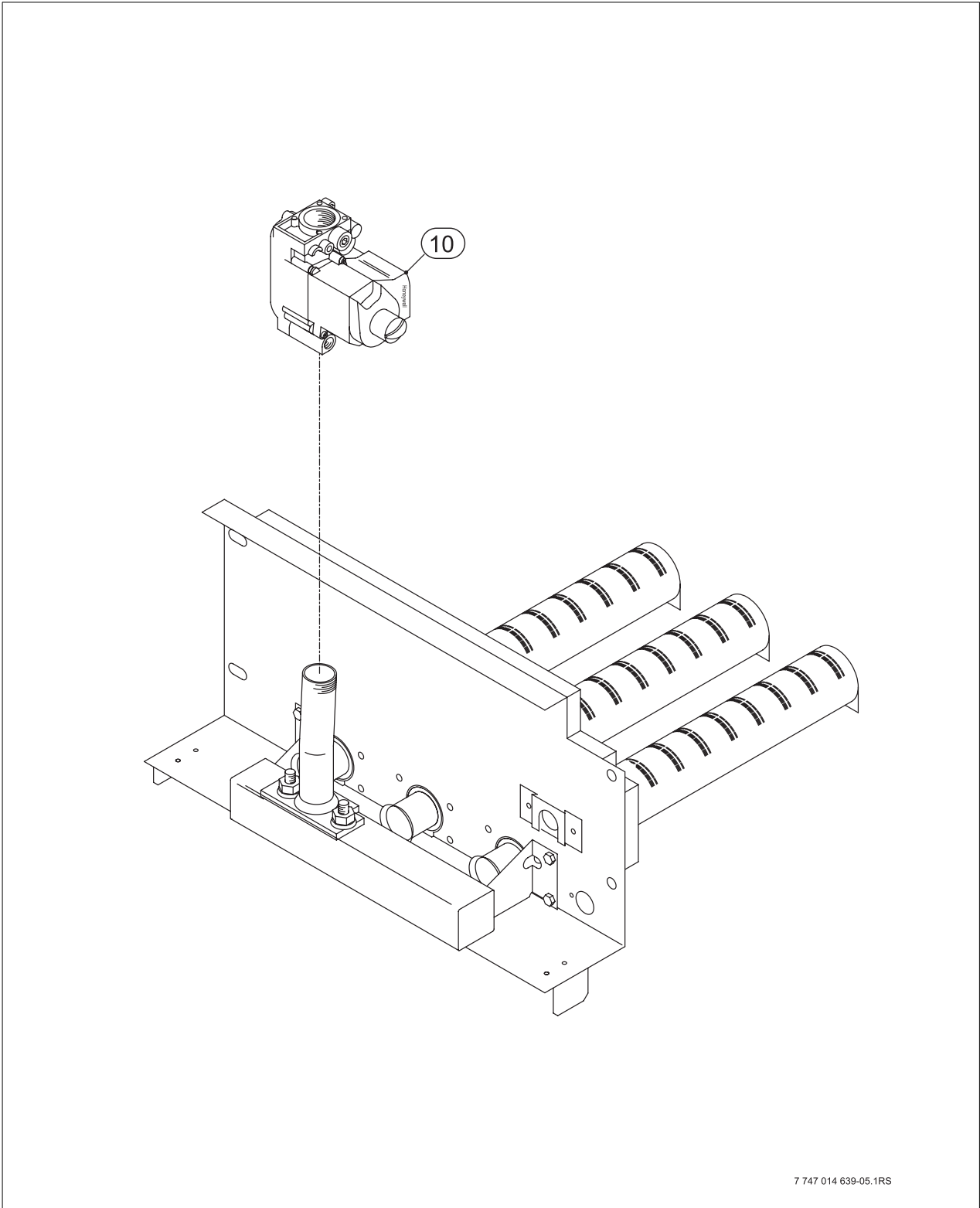
7 747 014 639-35.1RS

Fig. 54 Burner models, gas type conversion parts AE234X US

Gas valve VR8304H4206 G234X FAS US/CA (→ Fig. 55)

Item No.	Designation	Product-number	G234X/38 5 sections	G234X/45 5 sections	G234X/55 6 sections	G234X/64 7 sections
10	Gas valve WARNING: Do not use the screw fitting included with the gas fitting for the pilot gas pipe!	5181 870	1	1	1	1

Tab. 18 Gas fitting VR8304H4206 $\frac{3}{4}$ 24V 60Hz



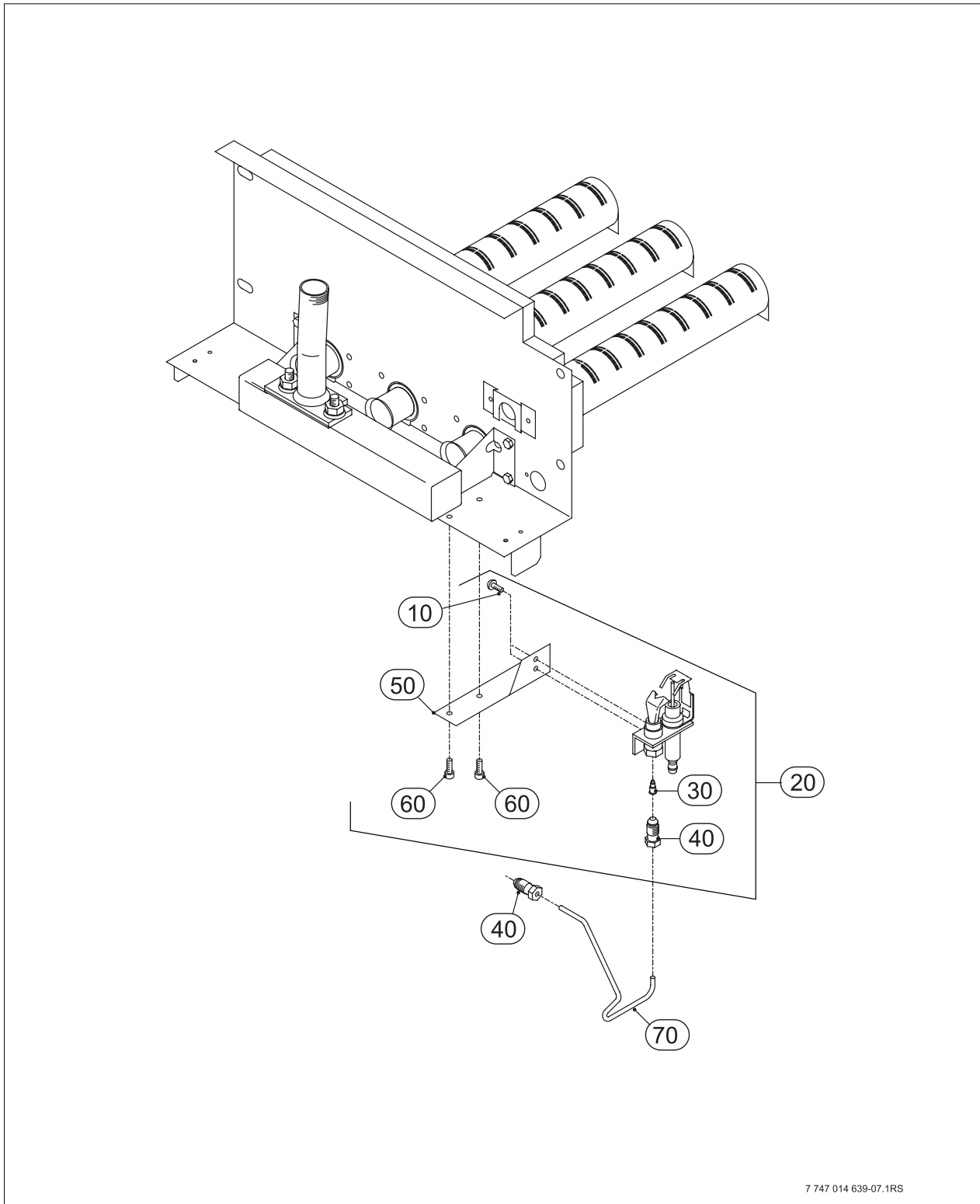
7 747 014 639-05.1RS

Fig. 55 Gas fitting VR8304H4206 $\frac{3}{4}$ 24V 60Hz

Pilot burner for G234X (→ Fig. 56)

Item No.	Designation	Product-number	G234X/38 5 sections	G234X/45 5 sections	G234X/55 6 sections	G234X/64 7 sections
10	Allen screw 8x32x3/16	→ Mounting kit no. 5	1	1	1	1
20	Pilot burner Q345 1E	5181 443	1	1	1	1
30	Ignition gas nozzle, natural gas, BCR20	5181 648	1	1	1	1
30	Ignition gas nozzle, LP gas, BBR12	5176 998	1	1	1	1
40	Screw fitting for pilot gas pipe	5181 672	1	1	1	1
50	Ignition burner holder	→ Installation material no. 5	1	1	1	1
60	Screw M5x12 A3K	→ Installation material no. 5	2	2	2	2
70	Pilot gas pipe	5181 670	1	1	1	1

Tab. 19 Pilot burner for G234X



7 747 014 639-07.1RS

Fig. 56 Pilot burner for G234X