



# Parallel® | K-27121-4

Deck-mount bath faucet

## Features

- Two Lever handles offer separate control of hot and cold water
- 10.0 gpm (37.9 lpm) maximum flow rate at 45 psi (3.1 bar)
- Coordinates with other products in the Parallel collection



## Available Colors/Finishes

*Color tiles intended for reference only.*

- CP Polished Chrome
- SN Vibrant Polished Nickel
- BN Vibrant Brushed Nickel
- BV Vibrant Brushed Bronze
- BL Matte Black
- 2MB Vibrant Brushed Moderne Brass
- TT Vibrant Titanium



1-800-4KOHLER (1-800-456-4537)  
Kohler Co. reserves the right to make revisions without notice to product specifications.  
For the most current specification sheet, go to [www.kohler.com](http://www.kohler.com) USA or [www.kohler.ca](http://www.kohler.ca) Canada.  
4-24-2026 5:0 - US-CA

THE BOLD LOOK  
OF **KOHLER**

## Codes/Standards

ADA, OBC, CSA B651 compliant when installed to the specific requirements of these regulations.

ADA CSA B651 OBC

ASME A112.18.1/CSA B125.1

ADA

ICC/ANSI A117.1

CSA B651

OBC

## Warranty

See website for detailed warranty information.

KOHLER® Faucet Lifetime Limited Warranty

## Technical Information

All product dimensions are nominal.

### Handle

Handle Style/ Type: Lever

### Spout

Spout Reach: 8-1/4" (209 mm)

### Flow Rate

Faucet Flow Rate: 10 gpm (37.9 l/min)

## Material

- Premium metal construction for durability and reliability
- KOHLER finishes resist corrosion and tarnishing

## Recommended Products/Accessories

K-23726 Drain treatment

K-23723 Faucet cleaner

K-21897 Double toilet paper holder

K-23524 18" towel bar

K-23526 Towel arm

K-23527 Vertical toilet paper holder

K-23529 Robe hook

K-23525 24" towel bar

K-23528 Pivoting toilet paper holder

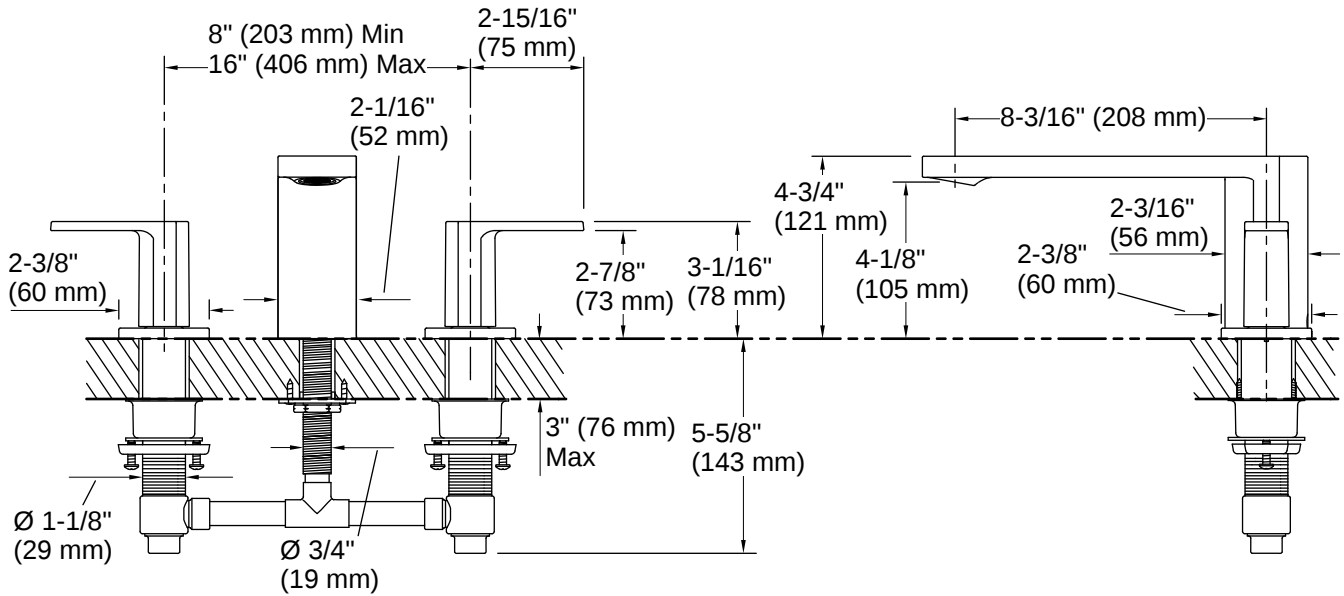


1-800-4KOHLER (1-800-456-4537)

Kohler Co. reserves the right to make revisions without notice to product specifications.

For the most current specification sheet, go to [www.kohler.com](http://www.kohler.com) USA or [www.kohler.ca](http://www.kohler.ca) Canada.

4-24-2026 5:0 - US-CA



## Installation

- Three-hole
- Deck-mount

## Installation Notes

*Install this product according to the installation instructions.*

ADA, OBC, CSA B651 compliant when installed to the specific requirements of these regulations.

