

Features

- Metal construction.
- Quarter-turn washerless ceramic disc valves.
- 4" (102 mm) gooseneck spout reach.
- Stationary gooseneck spout.
- For 4" (102 mm) centers.
- ADA compliant lever handles.
- Lower flow aerator options are available (refer to the Kohler Price Book).
- Less drain.
- 2.2 gal/min (8.3 l/min) maximum flow rate [max at 60 psi (4.14 bar)].



For complete listing of available colors, go to kohler.com.

ADA

Codes/Standards

ASME A112.18.1/CSA B125.1

NSF 61

NSF 372

ADA

ICC/ANSI A117.1

DOE - Energy Policy Act 1992

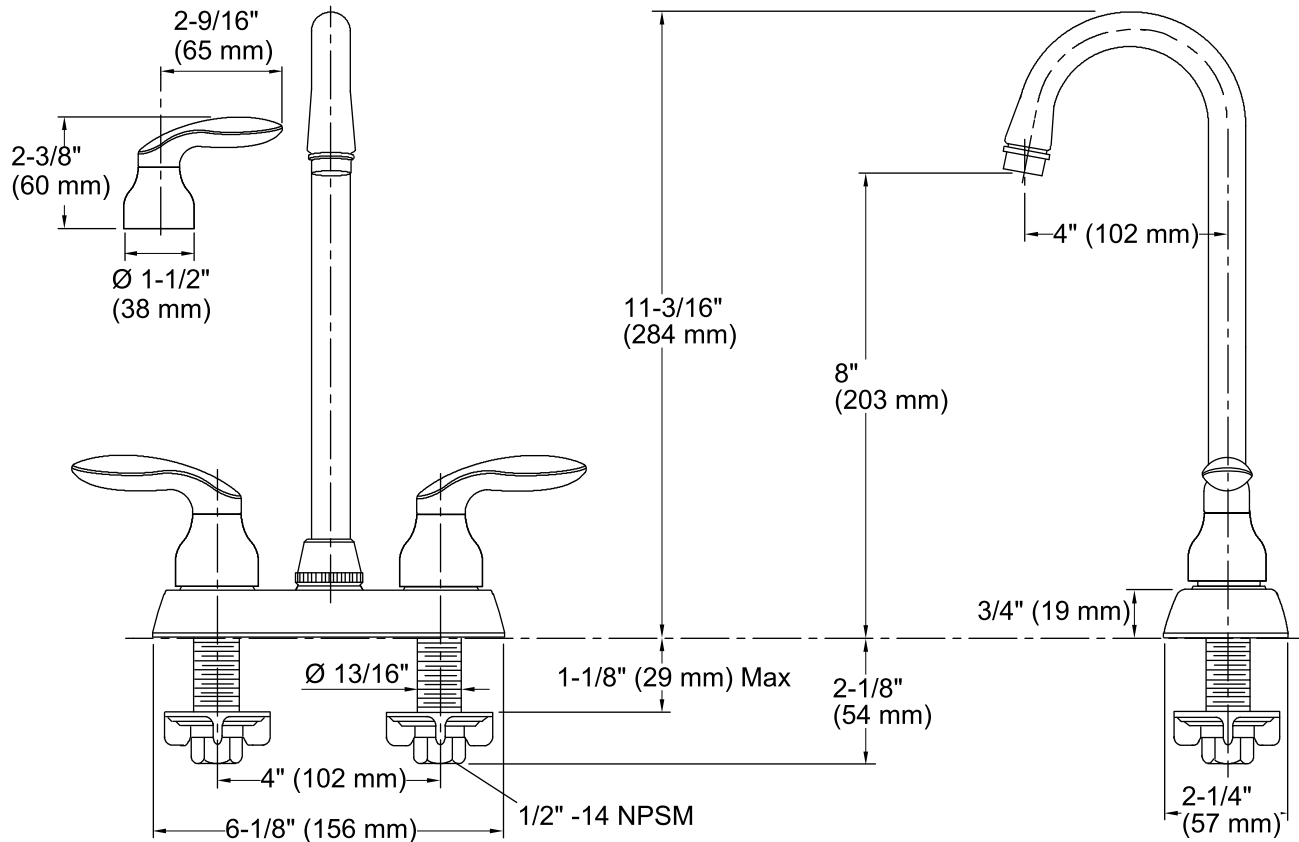
All applicable US Federal and State material regulations

KOHLER® One-Year Limited Warranty

See website for detailed warranty information.

Product Specification

Bar sink faucet shall be 4" (102 mm) gooseneck spout reach and 8" (203 mm) spout outlet height. Bar sink faucet shall be metal construction. Bar sink faucet shall be lever handles. Bar sink faucet shall be stationary gooseneck spout. Bar sink faucet shall be for 4" (102 mm) centers. Bar sink faucet shall be KOHLER Model K-15275-4.



Technical Information

All measurements are nominal.

Spout reach: 4" (102 mm)

Faucet:

Flow rate: 2.2 gal/min (8.3 l/min)

Pressure: 60 psi (4.1 bar)

Installation Notes

Install this product according to the installation guide.

ADA compliant when installed to the specific requirements of these regulations.