

VITODENS 200-W

Vitodens 200-W	B2HA 80	B2HA 100	
	7533 369	7533 370	
	7533 378	7533 379	

General Info Price List Section:
 Parts Catalog Section: 10
 Series Name: B2HA
 Applies to serial nos. beginning with: 7510833... 7510834...
 As at: 01/23/2015 06

Parts List

Please refer to: Parts List
 Pos. Description

Part Numbers / Price Categories

Parts for Main Enclosure Assembly

0001	Cover Panel, boiler	7833 654 ²⁰	7833 654 ²⁰		
0002	Nameplate "Viessmann"	7839 162 ⁹	7839 162 ⁹		
0003	Mounting Clip (Set of 2)	7817 500 ³	7817 500 ³		
0004	Cover Panel, electronics	7839 757 ²⁶	7839 757 ²⁶		
0005	Ctrl Housing	7833 699 ¹⁴	7833 699 ¹⁴		
0006	Mounting Rail, left	7836 183 ¹¹	7836 183 ¹¹		
0007	Mounting Rail, right	7836 184 ¹¹	7836 184 ¹¹		
0008	Cover Panel	7833 473 ¹³	7833 473 ¹³		
0009	Wall-Mount Bracket	7826 547 ⁷	7826 547 ⁷		
0010	Mounting Rail, right	7839 759 ¹²	7839 759 ¹²		
0011	Mounting Rail, left	7839 758 ¹²	7839 758 ¹²		
0012	Leveling Bolt	7835 110 ¹⁰	7835 110 ¹⁰		
0013	Electrical Box	7839 668 ¹⁶	7839 668 ¹⁶		
0014	Electrical Box Cover	7839 669 ¹⁰	7839 669 ¹⁰		

Parts (not illustrated)

0301	Touch-UP Spray Paint "Vitowhite"	7822 681 ⁹	7822 681 ⁹		
0302	Touch-UP Paint Stick "Vitowhite"	7822 682 ⁵	7822 682 ⁵		
0303	Lubricant 6g	7819 602 ⁵	7819 602 ⁵		

Parts for Pressure Vessel Assembly

0001	Condensate Flex Hose (exit)	7839 794 ⁷	7839 794 ⁷		
0002	Gasket (Air Intake) D = 150mm	7818 559 ⁹	7818 559 ⁹		
0003	Gasket (Flue Gas), DN110	7826 553 ⁷	7826 553 ⁷		
0004	Test Port Cap (Set of 2)	7822 742 ⁶	7822 742 ⁶		
0005	Sensor (flue gas)	7839 630 ¹²	7839 630 ¹²		
0006	Heat Exchanger Assly, ASME	7831 454 ⁸⁷	7831 454 ⁸⁷		
0007	Condensate Drain Kit	7836 593 ¹⁷	7836 593 ¹⁷		
0008	Gas Distribution Pipe 2	7839 713 ¹⁵	7839 713 ¹⁵		
0009	Grommet (Flue Gas), DN110	7817 688 ⁵	7817 688 ⁵		
0010	Vent Pipe Adaptor 110/150	7835 050 ¹⁶	7835 050 ¹⁶		
0011	Comb.Chbr.Refr.	7828 793 ¹²	7828 793 ¹²		
0012	P-Trap	7828 796 ⁹	7828 796 ⁹		
0013	Gasket (Set of 5, 23x30x2)	7828 003 ⁶	7828 003 ⁶		
0014	Gas Distribution Pipe 1	7828 798 ¹⁶	7828 798 ¹⁶		
0016	Sealing Grommet (each)	7839 724 ⁷	7839 724 ⁷		
0017	Grommet (P-Trap)	7839 795 ⁷	7839 795 ⁷		
0018	Pipe Clamp DN25 (Set of 5)	7827 429 ⁶	7827 429 ⁶		
0019	Extension Pipe 1" NPT (gas)	7839 718 ¹³	7839 718 ¹³		
0020	O-Ring (Set of 5, 24X2.5)	7839 650 ⁸	7839 650 ⁸		
0021	Connector D21 (htg.supp)	7839 651 ¹³	7839 651 ¹³		
0022	Gasket Set A17x24x2 (Set of 5)	7826 217 ⁴	7826 217 ⁴		continued

VITODENS 200-W

Vitodens 200-W	B2HA 80	B2HA 100	
	7533 369	7533 370	
	7533 378	7533 379	

General Info	Price List Section:		
	Parts Catalog Section:		10
	Series Name:		B2HA
	Applies to serial nos. beginning with:	7510833...	7510834...
	As at:	01/23/2015	06

Parts List

Please refer to: Parts List
Pos. Description

Part Numbers / Price Categories

Parts for Burner Assembly

0001	Burner Gasket, 299x5.6mm	7836 178 ¹⁴	7836 178 ¹⁴		
0002	Comb.Ch.Dr.Refr.	7828 337 ¹¹	7828 337 ¹¹		
0003	Burner Tube, NG/LP	7832 826 ⁴³	7832 826 ⁴³		
0004	Gasket (Burner Tube)	7826 524 ⁶	7826 524 ⁶		
0005 W	Ignition Electrode w Gskt	7829 798 ¹⁰	7829 798 ¹⁰		
0006 W	Ionization Electrode	7836 489 ¹³	7836 489 ¹³		
0007	Flapper	7835 111 ¹⁰	7835 111 ¹⁰		
0008 W	Radial Fan RG148E	7839 775 ⁵³	7839 775 ⁵³		
0009 W	Gas Valve CES10, 120/1/60	7839 704 ²¹	7839 704 ²¹		
0010	Burner Mounting Flange Assly	7839 178 ²⁹	7839 178 ²⁹		
0011 W	Ignition Module	7839 612 ¹³	7839 612 ¹³		
0012	Gasket (Ioniz. Electrode)	7827 031 ⁶	7827 031 ⁶		
0013	Gasket (Ignition Electrode)	7827 025 ⁶	7827 025 ⁶		
0014	Ground Terminal (Set of 10)	7819 839 ⁶	7819 839 ⁶		
0015	Orifice 09, NG/LP (GRY)	7833 979 ⁷	7833 979 ⁷		
0016	Bracket (Set of 3)	7839 706 ⁹	7839 706 ⁹		
0017	Mounting Plate (Ign.Adapt.)	7839 600 ⁸	7839 600 ⁸		
0018	Cover Panel, gas valve	7839 966 ⁹	7839 966 ⁹		

Parts for Control Assembly

0001	Control Console	7838 557 ⁴⁹	7838 557 ⁴⁹		
0002	Ctrl Housing, Rear	7841 005 ¹⁸	7841 005 ¹⁸		
0003	Coding Plug	7841 083 ⁸	7841 084 ⁸		
0004 W	Fuse, 6.3A/250V (Pkg of 10)	7404 365 ⁶	7404 365 ⁶		
0005	Fuse Holder	7823 502 ⁴	7823 502 ⁴		
0007	Vitotronic 200 HO1B	7839 479 ⁴³	7839 479 ⁴³		
0008	Communication Module (LON) HO1	7179 113 ³³	7179 113 ³³		
0009	Circuit Board (LON Module Adaptor)	7823 033 ¹⁰	7823 033 ¹⁰		
0010	Cable Harness X8/X9/Ioniz.	7836 840 ¹⁶	7836 840 ¹⁶		
0011	Cable Harness 100/35/54/PE	7839 496 ¹²	7839 496 ¹²		
0013	Counter Plug Neptune	7837 898 ¹²	7837 898 ¹²		
0014	Strain Relief (Set of 10)	7823 516 ⁶	7823 516 ⁶		
0015	Locking Assly (left/right)	7831 618 ¹³	7831 618 ¹³		
0016	Sensor, (outdoor) NTC	7837 053 ²¹	7837 053 ²¹		
0017	Circuit Board (exp. functions)	7509 610 ¹⁶	7509 610 ¹⁶		
0020	Power/Pump Ctrl Module	7839 389 ³²	7839 389 ³²		
0021	Extension Module EA1, 120/1/60	7509 475 ²⁴	7509 475 ²⁴		
0022 W	Fuse, 2.0A/250V (Pkg of 10)	7404 363 ⁶	7404 363 ⁶		
0023	Harness Set, PPC Module	7839 397 ¹⁷	7839 397 ¹⁷		continued

VITODENS 200-W

Vitodens 200-W	B2HA 80	B2HA 100	
	7533 369	7533 370	
	7533 378	7533 379	

General Info	Price List Section:	
	Parts Catalog Section:	10
	Series Name:	B2HA
	Applies to serial nos. beginning with:	7510833... 7510834...
	As at:	01/23/2015 06

Parts List

Please refer to: Parts List
Pos. Description

Part Numbers / Price Categories

Parts for Hydronic Assembly

Pos.	Description	Part Numbers	Price Categories
0001	O-Ring (Set of 3, ht.exch)	7835 467 ⁵	7835 467 ⁵
0002	Conn. Pipe 1 (htg rtn)	7828 931 ¹⁹	7828 931 ¹⁹
0003	Gasket 1 ¼ (Set of 5)	7835 225 ⁶	7835 225 ⁶
0004	Ball Valve w Gasket (Supply/Return Pipe)	7828 933 ¹⁴	7828 933 ¹⁴
0005 W	Flow Switch VK332M	7828 795 ¹²	7828 795 ¹²
0006	Conn. Pipe 2 (htg rtn)	7839 760 ³⁴	7839 760 ³⁴
0007	Sealing Grommet, Di = 28.0 W = 7	7839 761 ⁶	7839 761 ⁶
0008	O-Ring (Set of 5, supp/ret)	7839 721 ⁸	7839 721 ⁸
0009	Extension Pipe (supp/ret)	7839 722 ¹⁵	7839 722 ¹⁵
0010	Connector D32 (htg.supp)	7839 762 ¹³	7839 762 ¹³
0011	Heating Supply Conn. Pipe	7839 763 ²⁸	7839 763 ²⁸
0012	O-Ring (Set of 5, 8x2)	7831 409 ⁸	7831 409 ⁸
0013	Clip D = 8 (Set of 5)	7827 943 ⁶	7827 943 ⁶
0014	Press. Gage (PSI) w clip/gsk	7839 764 ¹¹	7839 764 ¹¹
0015	Sealing Grommet, 60x30	7839 765 ⁶	7839 765 ⁶
0016 W	Sensor #3 (Boiler, Set of 2)	7835 112 ¹³	7835 112 ¹³

continued

VITODENS 200-W

Vitodens 200-W	B2HA 80	B2HA 100	
	7533 369	7533 370	
	7533 378	7533 379	

General Info Price List Section:
 Parts Catalog Section: 10
 Series Name: B2HA
 Applies to serial nos. beginning with: 7510833... 7510834...
 As at: 01/23/2015 06

Parts List

Please refer to: Parts List
 Pos. Description

Part Numbers / Price Categories

Parts for Installation Set

Pos.	Description	Part Numbers	Price Categories
0300	Installation Set	7529 679 ^{Other}	7529 679 ^{Other}
0301	Nipple, 3/4" x 1 1/2" Short BLK	9543 294 ⁴	9543 294 ⁴
0302	Sediment Faucet, 3/4" NPT	9542 942 ⁵	9542 942 ⁵
0303	Tee, 3/4" BMI	9544 337 ⁴	9544 337 ⁴
0304	Nipple, 3/4" x 3 1/2" BLK	9543 293 ⁴	9543 293 ⁴
0305	Red. Tee, 1 1/2" x 1 1/2" x 3/4"	9549 661 ⁸	9549 661 ⁸
0306	Gas Ball Valve, 1"	7424 391 ⁷	7424 391 ⁷
0309	Access. Pack (Mtl.Stud Mt.Kit)	7134 206 ⁵	7134 206 ⁵
0310	Access. Pack (Venting Fasteners)	7455 794 ⁸	7455 794 ⁸
0311	Sensor, (outdoor) NTC	7508 904 ¹¹	7508 904 ¹¹
0312	Pr.Rel Valve, 3/4" (FF) 30PSI Conbraco	9542 940 ⁸	9542 940 ⁸
0313	Pr.Rel Valve, 3/4" x 3/4" 45PSI Conbraco	9549 944 ¹¹	9549 944 ¹¹
0314	Pr.Rel Valve, 3/4" x 3/4" 60PSI Conbraco	9560 183 ¹¹	9560 183 ¹¹
0316	Keychain w Air Bleed Key	9561 042 ^{Other}	9561 042 ^{Other}
0317	Thermometer (Winters) 2" 30-250°F	9653 218 ¹³	9653 218 ¹³
0319	Sensor #5 (LLH, Immersion NTC)	7179 488 ²⁰	7179 488 ²⁰
0320	Technical Literature Set	7529 676 ^L	7529 676 ^L
0321	Installation Instructions	5683 706 ^L	5683 706 ^L
0322	Service Instructions	5683 707 ^L	5683 707 ^L
0323	Operating Instructions	5683 712 ^L	5683 712 ^L
0324	Parts List B2HA 80/100	5683 708 ^L	5683 708 ^L
0325	Parts List B2HA inst.set	5774 184 ^L	5774 184 ^L
0330	Install. Instr. Vent.Sys (Coax) 2013	5774 552 ^L	5774 552 ^L
0331	Install. Instr. Vent.Sys (Flex) 2013	5774 554 ^L	5774 554 ^L
0340	Warranty Sheet Condensing, Resid v2	5348 723 ^L	5348 723 ^L

Notes:

"n.a." indicates not applicable.

"W" indicates wearing part (service).

"L" indicates literature (no charge).

"Kit" or "Other" indicates that this is not a Price Category item; contact Inside Sales for pricing.

VITODENS 200-W B2HA Series

Model No.	Serial No.
B2HA 80 Boiler	7510833□□□□□□□□
B2HA 100 Boiler	7510834□□□□□□□□

Ordering Parts:

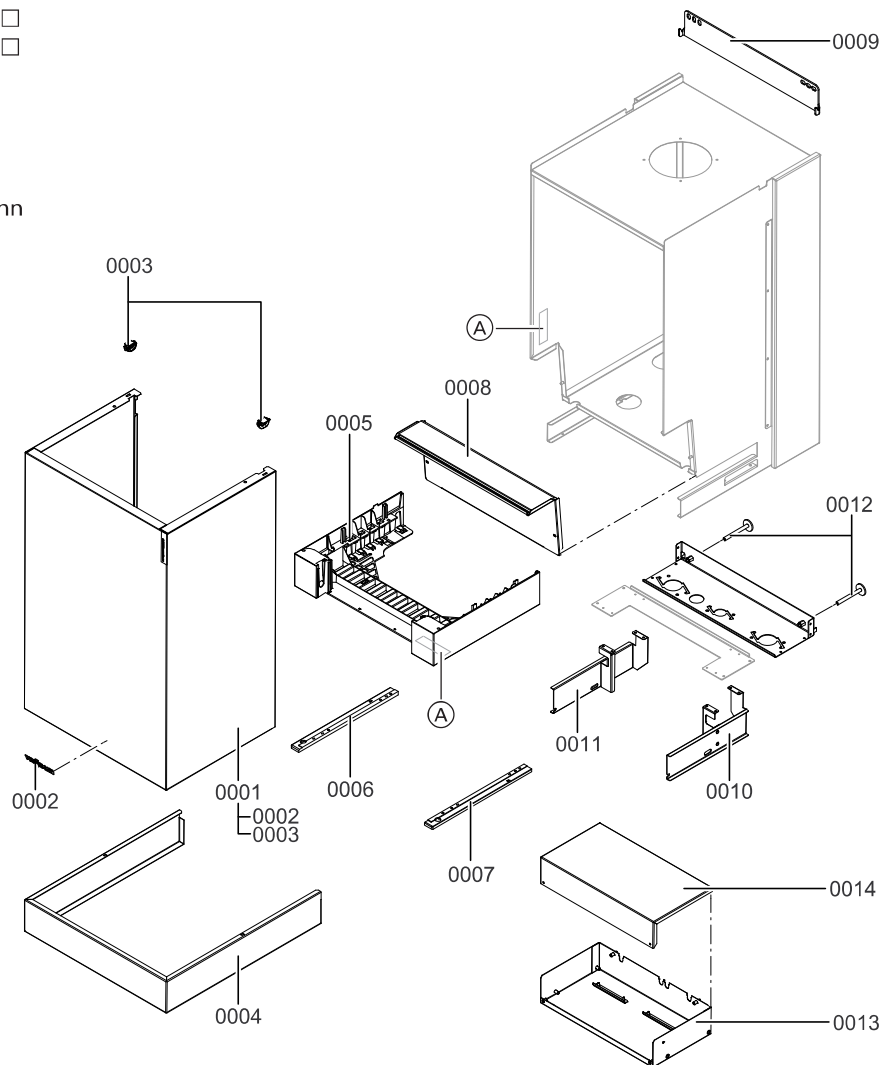
Please provide Model and Serial Number (A) when ordering replacement parts. Order replacement components from your Viessmann distributor.

Parts for Main Enclosure Assembly

- 0001 Cover panel
- 0002 Nameplate
- 0003 Mounting clip
(Set of 2)
- 0004 Cover panel for electronics
- 0005 Control housing
- 0006 Mounting rail, left
- 0007 Mounting rail, right
- 0008 Cover panel
- 0009 Wall-mount bracket
- 0010 Support bracket, right
- 0011 Support bracket, left
- 0012 Leveling bolt
- 0013 Electrical box
- 0014 Electrical box cover

Other Parts (not illustrated)

- 0300 Installation Set ^{*1}
- 0301 Touch-up spray paint
"Vitowhite"
- 0302 Touch-up paint stick
"Vitowhite"
- 0303 Lubricant 6g
- 0320 Technical Literature Set
- 0321 Installation Instructions
- 0322 Service Instructions
- 0323 Operating Instructions
- 0324 Parts List for Vitodens 200-W
- 0325 Parts List for Installation Set
- 0330 Installation Instructions, Coaxial Venting
- 0331 Installation Instructions, Flex Venting
- 0340 Warranty Sheet, Condensing



^{*1} For Installation Set
please see separate Parts List.

VITODENS 200-W

B2HA Series

Model No.	Serial No.
B2HA 80 Boiler	7510833□□□□□□□□
B2HA 100 Boiler	7510834□□□□□□□□

Parts for Control Assembly

- 0001 Control console
- 0002 Control housing, rear
- 0003 Coding plug
- 0004 Fuse, 6.3A/250V
(Pkg of 10)
- 0005 Fuse holder
- 0007 Vitotronic 200 HO1B
- 0008 LON Communication module H01
- 0009 Circuit board (LON module adaptor)
- 0010 Cable harness X8/X9/Ioniz.
- 0011 Cable harness 100/35/54/PE
- 0013 Counter plug, Neptune
- 0014 Strain relief
(Set of 10)
- 0015 Locking assembly (left/right)
- 0016 Outdoor temperature sensor, NTC
- 0017 Circuit board for expanded functions
- 0020 Power/pump control module
- 0021 Extension module EA1, 120/1/60
- 0022 Fuse, 2.0A/250V
(Pkg of 10)
- 0023 Harness set
for power/pump control module

