

Features

- Two lever handles offer separate control of hot and cold water
- 7-1/8" (181 mm) spout reach
- 1.2 gpm (4.5 lpm) maximum flow rate at 60 psi (4.14 bar)
- Coordinates with other products in the Riff collection

Material

- Premium metal construction for durability and reliability
- KOHLER finishes resist corrosion and tarnishing

Installation

- Wall-mount

Water Conservation & Rebates

- This product can help a building earn Water Efficiency points in LEED® Green Building Rating System

Required Products/Accessories

For wall-mount installation
K-410-K Wall-mount Valve

Recommended Products/Accessories

K-23726 Drain treatment
K-23723 Faucet cleaner
K-27409 18" towel bar
K-27410 24" towel bar
K-27411 Double robe hook
K-27412 Towel ring
K-27413 Pivoting toilet paper holder

Optional Products/Accessories

K-7107 Decorative Drain
K-7108 Decorative Drain
K-7124 Pop-Up Clicker Drain
K-7124-A Pop-Up Clicker Drain
K-7129 Drain
K-7129-A Drain
K-8801 Sink drain and strainer with tailpiece
1008176



Codes/Standards

ASME A112.18.1/CSA B125.1
NSF/ANSI/CAN 61
NSF/ANSI/CAN 372
All applicable US Federal and State material regulations
DOE - Energy Policy Act 1992
EPA WaterSense®
California Energy Commission (CEC)
ADA
ICC/ANSI A117.1
CSA B651
OBC

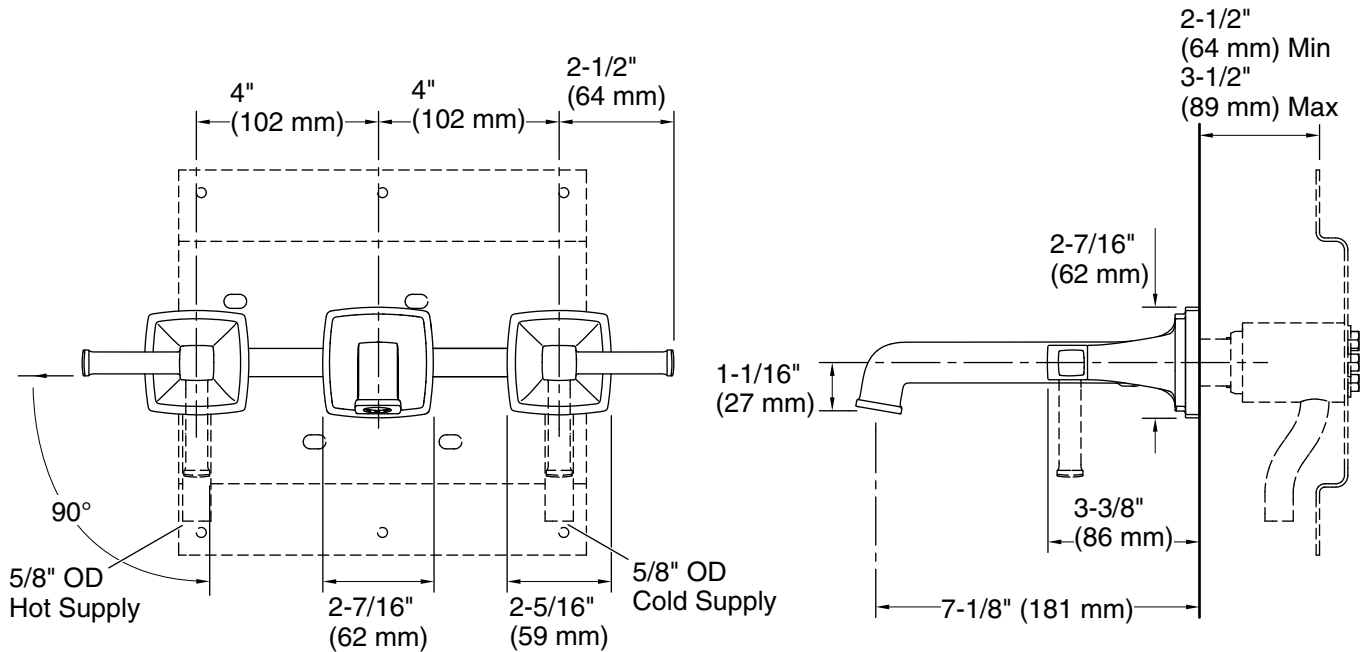
KOHLER® Faucet Lifetime Limited Warranty

See website for detailed warranty information.

Available Colors/Finishes

Color tiles intended for reference only.

Color	Code	Description
	CP	Polished Chrome
	SN	Vibrant® Polished Nickel
	BN	Vibrant® Brushed Nickel
	BL	Matte Black
	2MB	Vibrant® Brushed Moderne



Technical Information

All product dimensions are nominal.

Faucet:

Flow rate: 1.2 gal/min (4.5 l/min)

Pressure: 60 psi (4.1 bar)

Valve body: Machined-brass

Drain included: No

Spout:

Spout reach: 7-1/8" (180 mm)

Notes

Install this product according to the installation instructions.

ADA, OBC, CSA B651 compliant when installed to the specific requirements of these regulations.