



model **6700R**
Mounting Plate

FEATURES & BENEFITS

MOUNTING

3/16" (.47 cm) steel pre-drilled and threaded mounting plate along with all-thread studs

OPTIONS

For more information, visit www.hawesco.com or call (888) 640-4297.

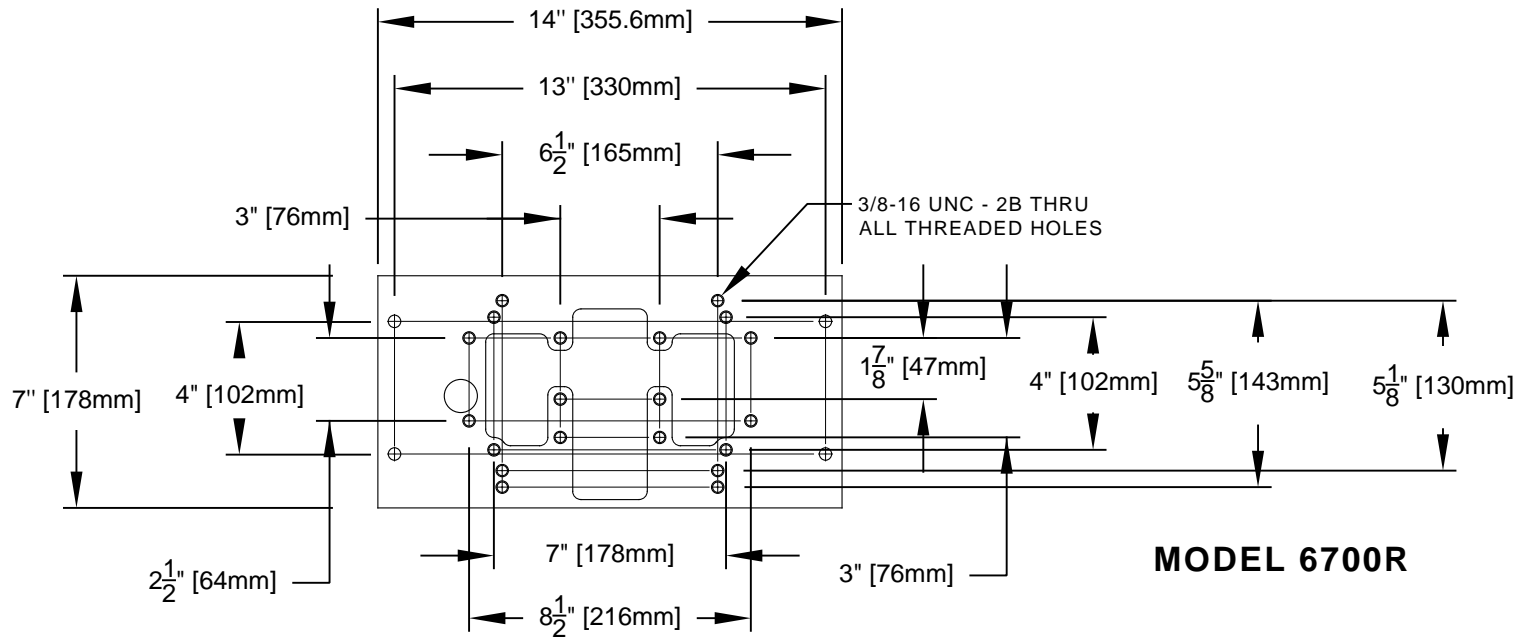
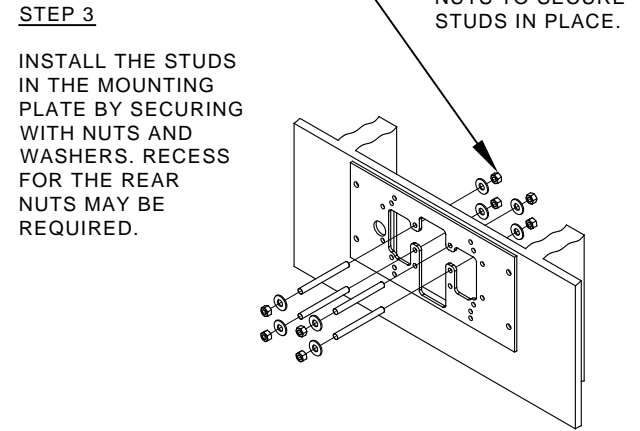
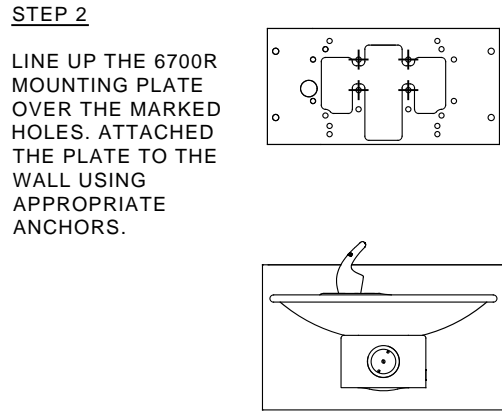
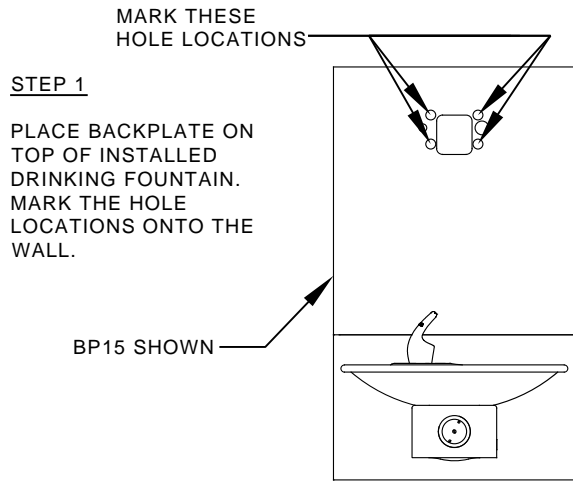


SPECIFICATIONS

On-wall mounting plate, Model 6700R, designed for retrofit installations, provides additional support and facilitates the installation of the 1920 series bottle filler to a wall. Plate is to be mounted on the surface of a finished wall and is concealed behind optional back panel. Steel construction provides a solid support system for Haws 1920, 1920HPS & 1920FR. Measurements are 14" W x 7" H x 3/16" (35.6 x 17.8 x .47 cm).


APPLICATIONS

THIS DOCUMENT IS TRUE AND CORRECT AT TIME OF PUBLICATION. CONTINUED PRODUCT IMPROVEMENTS MAKE SPECIFICATIONS AND MEASUREMENTS SUBJECT TO CHANGE WITHOUT NOTICE.



NOTES:

1. WHEN INSTALLING THIS UNIT, LOCAL, STATE OR FEDERAL CODES SHOULD BE ADHERED TO.
2. FOR CONCRETE/MASONRY WALLS, DO NOT INSTALL THE MOUNTING PLATE ON THE SAME SIDE OF WALL AS FOUNTAIN/BOTTLE FILLER. CALL TECHNICAL SUPPORT IF THERE ARE ANY QUESTIONS AS TO HOW TO OBTAIN A PROPER ANCHOR IN CONCRETE/MASONRY WALL. 1-800-766-5612

		1455 KLEPPE LANE SPARKS, NEVADA 89431 (775) 359-4712 FAX (775) 359-7424 E-MAIL: HAWS@HAWS.CO.COM WEBSITE: WWW.HAWS.CO.COM	
		ECN NO. 5081 DRAWN: MJ APPROVED: FV	REVISED PER: ECN: 5172 DATE: 06/27/16 DATE: 02/27/17
PART NUMBER 0510000492.D			REVISION 2
SCALE: 1:1		DRAWING TYPE: INSTALLATION	SIZE: A SHEET 1 OF 1