

REPAIR PARTS LIST

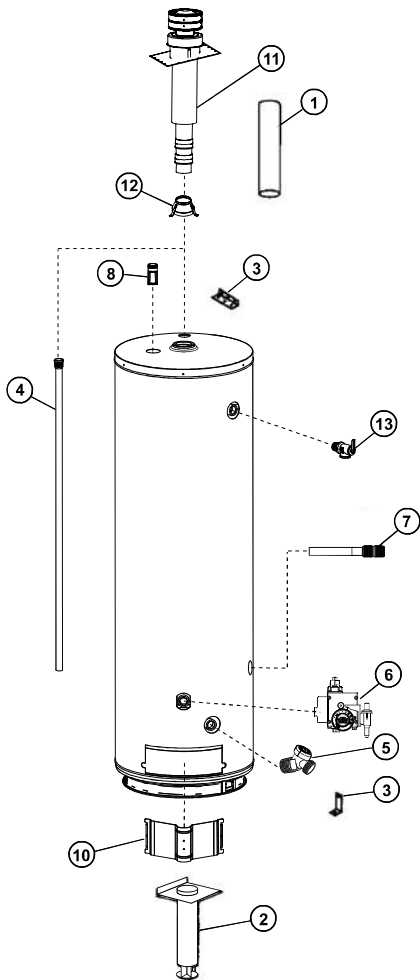
Repair parts may be ordered through your plumber, or the local distributor, or by calling 1-800-365-0024 . When ordering repair parts always give the following information:

NOTICE: When ordering replacement parts, have the following information ready:

- Model and serial number
- Type of gas used
- Item number
- Parts description

Legend

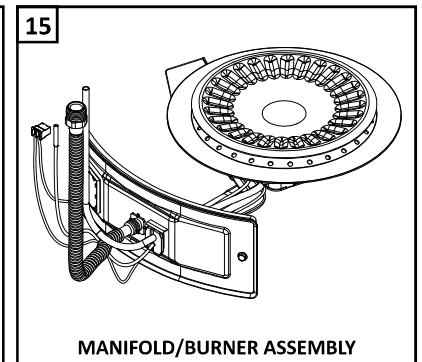
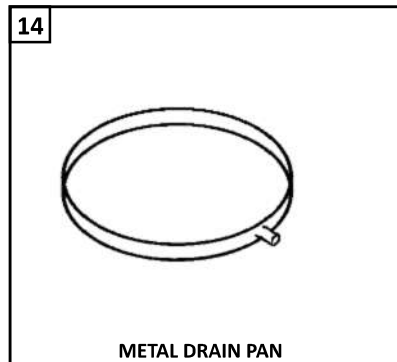
- ▲ Special anode rod (see page 31)
- Temperature and Pressure Relief Valve is required but may be factory installed



PARTS LIST

Item No.	Parts Description
1	10" Extension Pipe (Optional)
2	Air Duct Assembly (14.5" to 24" [36.8cm to 61cm] Long)
3	Angle Brackets (Kit)
4	Anode Rod ▲
5	Drain Valve
6	Gas Control Valve / Thermostat
7	Inlet Tube
8	Nipple w/Heat Traps
9	Optional 3" (76mm) Outside Wall Intake Air Vent Kit 100109072 **
9	Optional 4" (102mm) Outside Wall Intake Air Vent Kit 100109073 **
10	Outer Door
11	Roof Jack 12" / 30.48 cm (100285331) *
11	Roof Jack 32" / 81.28 cm (100285333) *
11	Roof Jack 60" / 152.4 cm (100285412) *
11	Roof Jack 95" / 241.3 cm (100285414) *
12	Flue Reducer
13	Temperature-Pressure Relief Valve (T & P Valve) ■
14	Metal Drain Pan
15	Manifold/Burner Assembly (Natural Gas) (Shown on next page)
15	Manifold/Burner Assembly (Propane [L.P.] Gas) (Shown on next page)
16	Burner (Shown on next page)
17	Burner Orifice (Natural Gas) (Shown on next page)
17	Burner Orifice (Propane [L.P.] Gas) (Shown on next page)
18	Manifold Door Gasket (Shown on next page)
19	Manifold Component Block w/ Clip (Shown on next page)
20	Pilot Assembly with Tubing and Fittings (Shown on next page)

* Roof jack sold separately.
 ** Not Shown



REPAIR PARTS

REPAIR PARTS LIST

LISTED PARTS KITS AND ILLUSTRATIONS

- Item 15: Manifold door assembly which contains the manifold tube, gasket, door, pilot tube, thermocouple, manifold component block with retainer clip, burner, and pilot assembly. (Natural Gas)
- Item 15: Manifold door assembly which contains the manifold tube, gasket, door, pilot tube, thermocouple, manifold component block with retainer clip, burner and pilot assembly. (L.P.)
- Item 16: Contains burner (Natural Gas)
- Item 16: Contains burner (L.P. Gas)
- Item 17: Contains burner orifice (Natural Gas)
- Item 17: Contains burner orifice (L.P. Gas)
- Item 18: Contains manifold door gasket
- Item 19: Contains manifold component block with retainer clip
- Item 20: Contains pilot assembly with tubing and fittings.

