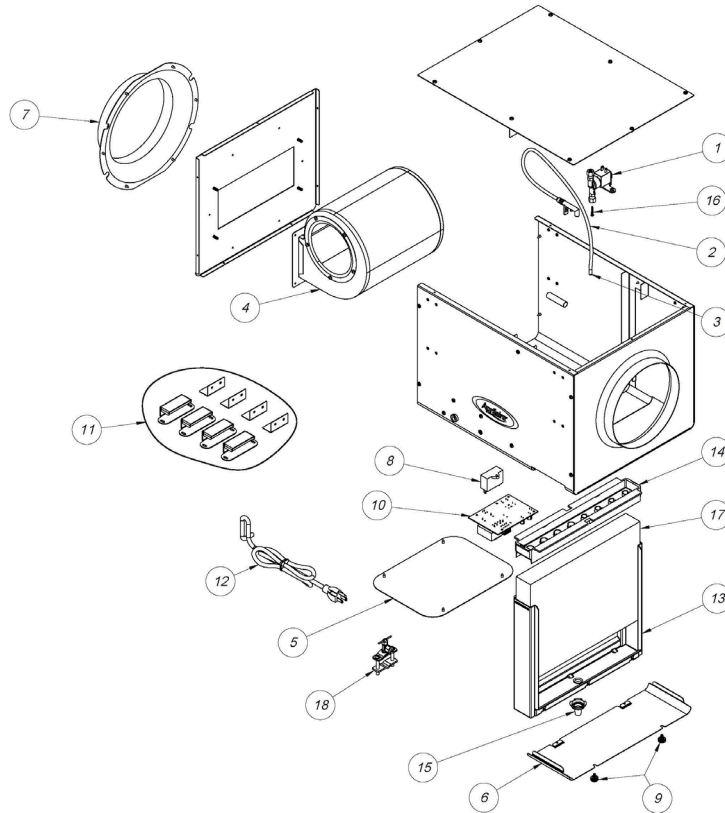




## Humidifiers

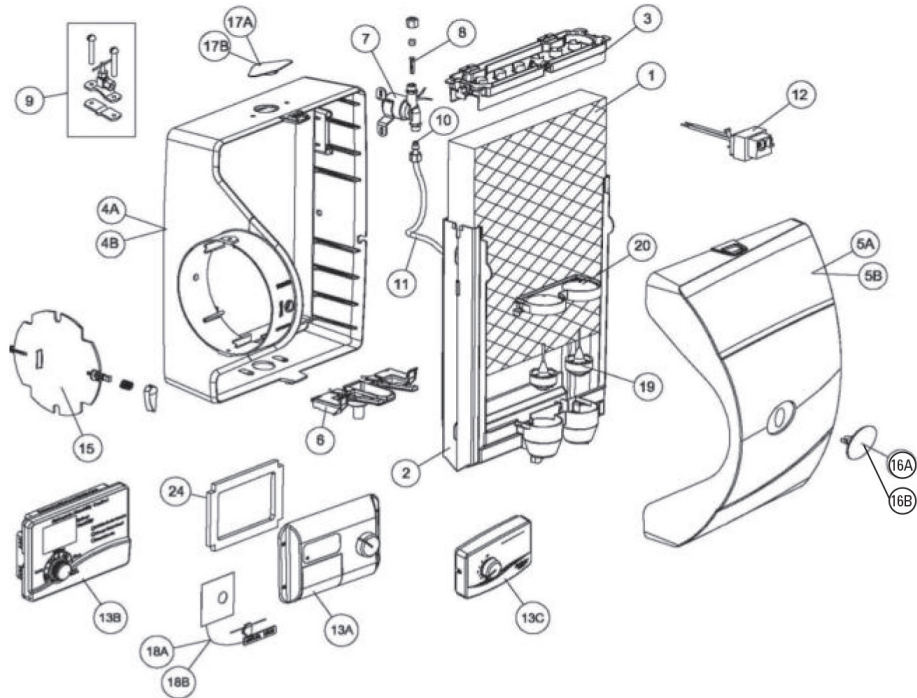
### Dealer Parts List

#### Model 300 Humidifiers



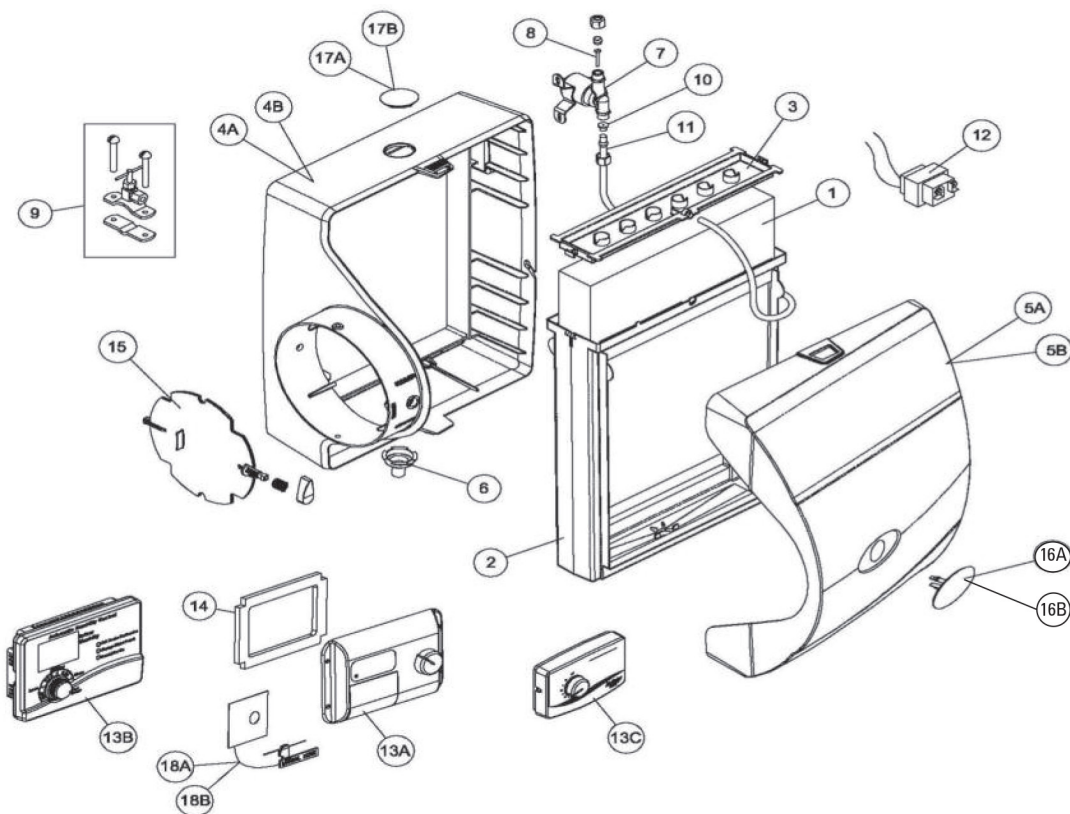
| NO.                | PART NAME   | SELL PACK *Must be<br>ordered in multiples<br>of* | PART NO. |
|--------------------|---|---|----------|
| 1                  | Solenoid Valve, 24 VAC Assy   | 1   | 5926     |
| 2                  | Feed Tube & Nozzle Kit (incl. Strainer, Orifice and Compression Sleeve and Nut) | 1   | 5937     |
| 3                  | Orifice (Blue)  | 12  | 4232     |
| 4                  | Fan w/ Capacitor  | 1   | 5929     |
| 5                  | Cover, Electrical   | 1   | 5930     |
| 6                  | Cover, Wet Pack Access  | 1   | 5931     |
| 7                  | Flange, 8" Dia.   | 1   | 5932     |
| 8                  | Capacitor, Fan, 300   | 1   | 5933     |
| 9                  | Knobs, Wet Pack Access  | 1   | 5934     |
| 10                 | PCBA, Power, 300  | 1   | 5935     |
| 11                 | Mounting Brackets, 300  | 1 Set   | 5938     |
| 12                 | Cord, Power, 300  | 1   | 5939     |
| 13                 | Scale Control Insert, 300/350/360   | 1   | 4181     |
| 14                 | Distribution Tray 300/350/360   | 1   | 4182     |
| 15                 | Drain Spud 300/350/360  | 1   | 4187     |
| 16                 | In-Line Strainer  | 12  | 4004     |
| 17                 | Water Panel Evaporator  | 10  | 35       |
| 18                 | Saddle Valve  | 1   | 4001     |
| <b>OTHER PARTS</b> |   |   |          |
|                    | Wet Pack Maintenance Kit, 300   | 1   | 5936     |
|                    | Digital Manual Humidifier Control (Wall Mounted)                                | 1   | 65       |

# Model 400/400M Humidifiers



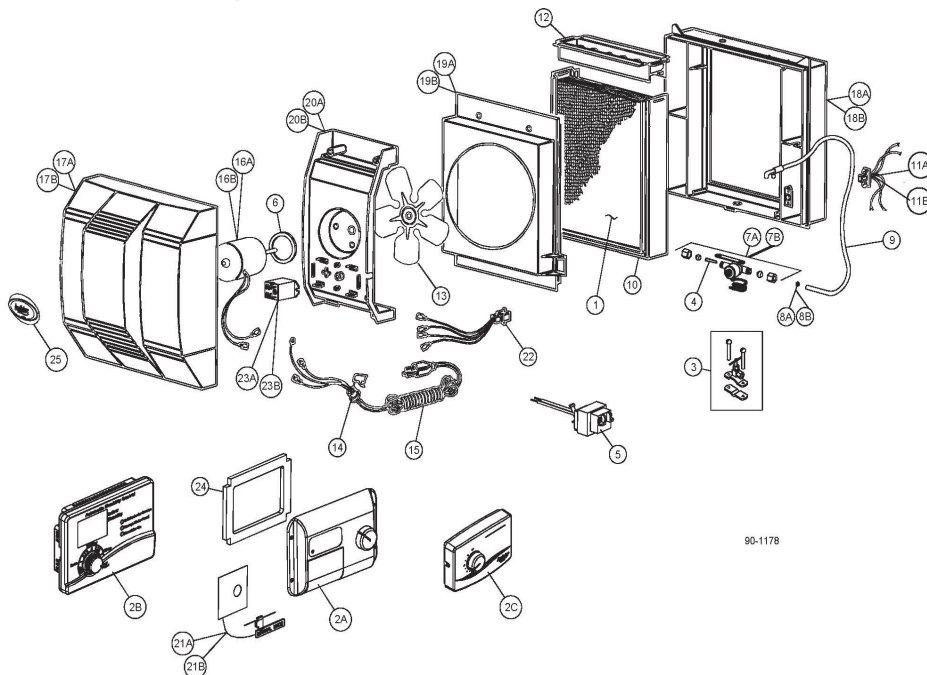
|              |   | MODEL 400  | MODEL 400M        |
|--------------|---|--|-------------------|
| <b>NO.</b>   | <b>BLUE/GRAY UNITS - PART NAME</b>  | <b>SELL PACK *Must be ordered in multiples of*</b> | <b>PART NO.</b>   |
| 4B           | Base (blue/gray)  | 1  | 4734              |
| 5B           | Cover (blue/gray)   | 1  | 4728              |
| 13B          | Automatic Digital Humidifier Control  | 1  | 60                |
| 13C          | Manual Humidifier Control   | 1  | N/A               |
| 16B          | Name Plate (blue/gray)  | 1  | 4880              |
| 17B          | Hole Plug (blue/gray)   | 1  | 4741              |
| 18B          | Resistor Case & Manual Mode Label (for use with 58 ADHC only)                   | 1  | 4737 (Obsolete)   |
|              |   | <b>MODEL 400</b>                                   | <b>MODEL 400M</b> |
| <b>NO.</b>   | <b>ALMOND UNITS - PART NAME</b>   | <b>SELL PACK *Must be ordered in multiples of*</b> | <b>PART NO.</b>   |
| 4A           | Base (almond)   | 1  | 4404 (Obsolete)   |
| 5A           | Cover (almond)  | 1  | 4329              |
| 13A          | Automatic Humidifier Control  | 1  | 56                |
| 16A          | Name Plate (almond)   | 1  | 4409              |
| 17A          | Hole Plug (almond)  | 1  | 4408              |
| 18A          | Resistor Case & Manual Mode Label (for use with 56 AHC only)                    | 1  | 4336 (Obsolete)   |
| <b>NO.</b>   | <b>COMMON PARTS</b>   | <b>SELL PACK *Must be ordered in multiples of*</b> | <b>PART NO.</b>   |
| 1            | Water Panel Evaporator  | 10 (5-2 pks.)                                      | 45                |
| 2            | Scale Control Insert w/Float Chamber  | 6  | 4403              |
| 3            | Water Distribution Tray   | 1  | 4407              |
| 6            | Water Level Sensor Assembly   | 1  | 4410              |
| 7            | Water Solenoid Valve (24 Volt) with Strainer, Compression Sleeve and Nut        | 1  | 4040              |
| 8            | In-line Strainer  | 12   | 4004              |
| 9            | Saddle Valve  | 1  | 4001              |
| 10           | Orifice (Yellow)  | 12   | 4231              |
| 11           | Feed Tube with Strainer, Orifice, Compression Sleeve and Nut                    | 1  | 4335              |
| 12           | Transformer   | 1  | 4010              |
| 15           | Damper Assembly   | 1  | 4332              |
| 19           | Float Assembly  | 1  | 4406              |
| 20           | Float Cover   | 1  | 4405              |
| 24           | Automatic Humidifier Control Gasket   | 1  | 4305              |
| <b>OTHER</b> |   | <b>SELL PACK *Must be ordered in multiples of*</b> | <b>PART NO.</b>   |
|              | Outdoor Temperature Sensor  | 1  | 8052              |
|              | Current Sensing Relay   | 1  | 50                |
|              | Saddle Valve Adapter  | 6  | 4229 (Obsolete)   |
|              | Shock Arrestor  | 1  | 4280              |
|              | Maintenance Kits (includes parts 45 (2), 4004, 4403, 4406, 4407, 4335 and 4231) | 1  | 4788              |
|              | Humidier Adapter Plate (Full Carton Qty Only)                                   | 20   | 5557              |
|              | Blower Activation Relay   | 10   | 4851              |

# Model 500/500M & 600/600M Humidifiers



|     |   | MODEL 500, 500A & 500M                             |                                  | MODEL 600, 600A & 600M                             |                                  |
|-----|---|--|----------------------------------|--|----------------------------------|
|     |   | <b>SELL PACK *Must be ordered in multiples of*</b> |                                  |  |                                  |
| NO. | BLUE/GRAY UNITS - PART NAME   |  | PART NO.                         |  | PART NO.                         |
| 4B  | Base (Blue/Gray)  | 1  | 4730                             |  | 4731                             |
| 5B  | Cover (Blue/Gray)   | 1  | 4727                             |  | 4728                             |
| 13B | Automatic Digital Humidity Control (Models 500, 500A, 600, 600A Only)       | 1  | 60                               |  | 60                               |
| 13C | Manual Humidifier Control (Models 500M & 600M Only)                         | 1  | 4655                             |  | 4655                             |
| 16B | Name Plate (Blue/Gray)  | 1  | 4881                             |  | 4882                             |
| 17B | Hole Plug (Blue/Gray)   | 1  | 4733                             |  | 4733                             |
| 18B | Resistor Case & Manual Mode Label   | 1  | N/A                              |  | 4737 (Obsolete)                  |
|     |   | <b>MODEL 500, 500A &amp; 500M</b>                  |                                  | <b>MODEL 600, 600A &amp; 600M</b>                  |                                  |
|     |   | <b>SELL PACK *Must be ordered in multiples of*</b> |                                  |  |                                  |
| NO. | ALMOND UNITS - PART NAME  |  | PART NO.                         |  | PART NO.                         |
| 4A  | Base (Almond)   | 1  | 4641 (Obsolete replaced by 4730) |  | 4328 (Obsolete replaced by 4731) |
| 5A  | Cover (Almond)  | 1  | 4642 (Obsolete)                  |  | 4329 (Obsolete replaced by 4728) |
| 13A | Automatic Humidifier Control  | 1  | 56                               |  | 56                               |
| 16A | Name Plate (Almond)   | 1  | 4643                             |  | 4333 (Obsolete)                  |
| 17A | Hole Plug (Almond)  |  | Obsolete                         |  |                                  |
| 18A | Resistor Case & Manual Label  | 1  | 4336 (Obsolete)                  |  | 4336 (Obsolete)                  |
|     |   | <b>COMMON PARTS</b>                                |                                  | <b>SELL PACK *Must be ordered in multiples of*</b> |                                  |
|     |   |  | PART NO.                         |  | PART NO.                         |
| 1   | Water Panel* Evaporator   | 10   | 10                               |  | 35                               |
| 2   | Scale Control Insert  | (4640-10) (4330-8)                                 | 4640                             |  | 4330                             |
| 3   | Water Distribution Tray   | 1  | 4331                             |  | 4331                             |
| 6   | Drain Spud  | 6  | 4223                             |  | 4223                             |
| 7   | Water Solenoid Valve (24 volt) with Strainer, Compression Sleeve and Nut    | 1  | 4040                             |  | 4040                             |
| 8   | In-Line Strainer  | 12   | 4004                             |  | 4004                             |
| 9   | Saddle Valve  | 1  | 4001                             |  | 4001                             |
| 10  | Orifice (Yellow)  | 12   | 4231                             |  | 4231                             |
| 11  | Feed Tube with Strainer, Orifice, Compression Sleeve and Nut                | 1  | 4335                             |  | 4335                             |
| 12  | Transformer   | 1  | 4010                             |  | 4010                             |
| 14  | Automatic Humidifier Control Gasket   | 1  | N/A                              |  | 4305                             |
| 15  | Damper Assembly   | 1  | 4332                             |  | 4332                             |
| 16  | Name Plate  | 1  | 4643 (Obsolete)                  |  | 4333 (Obsolete)                  |
|     |   | <b>OTHER PARTS</b>                                 |                                  | <b>SELL PACK *Must be ordered in multiples of*</b> |                                  |
|     |   |  | PART NO.                         |  | PART NO.                         |
|     | Outdoor Temperature Sensor (only available for automatic units)             | 1  | 8052                             |  | 8052                             |
|     | Current Sensing Relay   | 1  | 50                               |  | 50                               |
|     | Saddle Valve Adapter  | 6  | 4229 (Obsolete)                  |  | 4229 (Obsolete)                  |
|     | Shock Arrestor  | 1  | 4280                             |  | 4280                             |
|     | Maintenance Kits (includes parts 10, 4335, 4231, 4004, 4640, 4331 and 4223) | 1  | 4792                             |  | N/A                              |
|     | Maintenance Kits (includes parts 35, 4335, 4231, 4004, 4330, 4331 and 4223) | 1  | N/A                              |  | 4839                             |
|     | Humidifier Adapter Plate (Full Carton Qty Only)                             | 20   | 5553                             |  | 5557                             |
|     | Blower Activation Relay   | 10   | 4851                             |  | 4851                             |

# Model 700/700M, 768<sup>1</sup>, 760A<sup>1</sup> & 760<sup>1</sup> Humidifiers



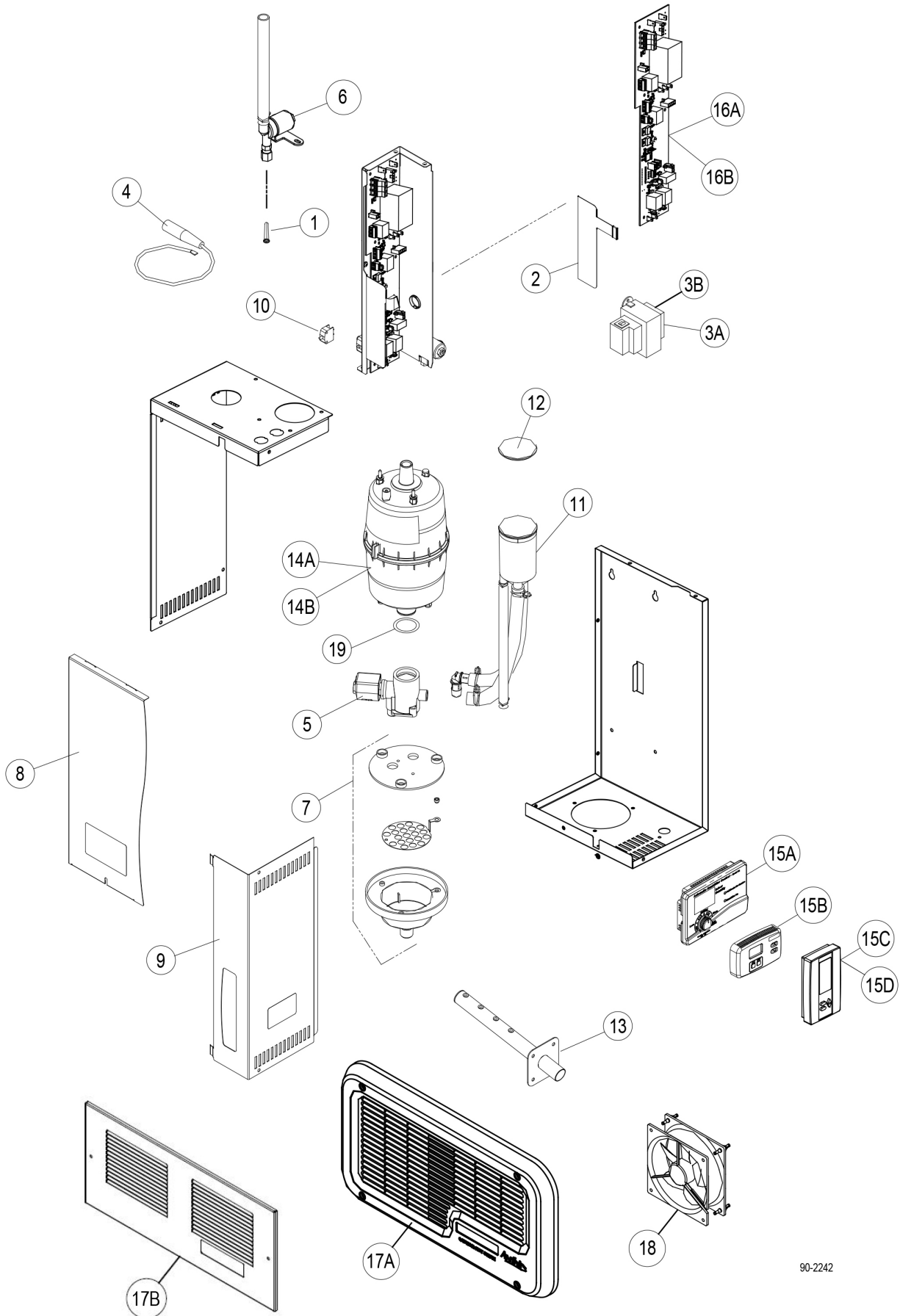
90-1178

| BLUE/GRAY UNITS |  |   | MODEL 700                                   | MODEL 700M                         |          |
|-----------------|--|---|---|------------------------------------|----------|
| NO.             | PART NAME  | SELL PACK *Must be ordered in multiples of* | PART NO.                                    | PART NO.                           |          |
| 2B              | Automatic Digital Humidifier Control                                     | 1   | 60  | N/A                                |          |
| 2C              | Manual Humidifier Control  | 1   | N/A   | 4655                               |          |
| 5               | Transformer  | 1   | 4010  | 4010                               |          |
| 16B             | Motor (Blue/Gray)  | 1   | 4670  | 4670                               |          |
| 17B             | Cover (Blue/Gray)  | 1   | 4729  | 4729                               |          |
| 18B             | Base (Blue/Gray)   | 1   | 4732  | 4732                               |          |
| 19B             | Orifice Plate (Blue/Gray)  | 1   | 4735  | 4735                               |          |
| 20B             | Bridge   | 1   | 4736  | 4736                               |          |
| 21B             | Resistor Case & Manual Mode Label  | 1   | 4737 (Obsolete)                             | N/A                                |          |
| 22B             | Female Disconnect Assembly   | 1   | 4739  | 4739                               |          |
| 23B             | Relay  | 1   | 4740  | 4740                               |          |
| ALMOND UNITS    |  |   | MODEL 700                                   | MODEL 700, 768, 760A, 760          |          |
| NO.             | PART NAME  | SELL PACK *Must be ordered in multiples of* | PART NO.                                    | PART NO.                           |          |
| 2A              | Automatic Humidifier Control   | 1   | N/A   | 56                                 |          |
| 16A             | Motor (Almond)   | 1   | N/A   | 4237                               |          |
| 17A             | Cover (Almond)   | 1   | N/A   | 4242 (Obsolete replaced with 4729) |          |
| 18A             | Base (Almond)  | 1   | N/A   | 4245 (Obsolete replaced with 4732) |          |
| 19A             | Orifice Plate (Almond)   | 1   | N/A   | 4244 (Obsolete replaced with 4735) |          |
| 20A             | Bridge   | 1   | N/A   | 4243 (Obsolete replaced with 4736) |          |
| 21A             | Resistor Case & Manual Mode Label  | 1   | N/A   | 4336 (Obsolete)                    |          |
| 22A             | Female Disconnect Assembly   | 1   | N/A   | 4239                               |          |
| 23A             | Circuit Board  | 1   | N/A   | 4238                               |          |
| 24              | Automatic Humidifier Control Gasket                                      | 1   | N/A   | 4305                               |          |
| NO.             | COMMON PARTS   | SELL PACK *Must be ordered in multiples of* | PART NO.                                    | PART NO.                           |          |
| 1               | Water Panel* Evaporator  | 10  | 35  | 35                                 |          |
| 3               | Saddle Valve   | 1   | 4001  | 4001                               |          |
| 4               | In-line Strainer   | 12  | 4004  | 4004                               |          |
| 6               | Carb Isolator  | 6   | 4031  | 4031                               |          |
| 7A              | Water Solenoid Valve (24 Volt) with Strainer, Compression Sleeve and Nut | 1   | 4040  | 4040                               |          |
| 7B              | Water Solenoid Valve (24 Volts) without yellow wires                     | 1   | 5832  | 5832                               |          |
| 8A              | Orifice (Yellow)   | 12  | 4231  | 4231                               |          |
| 8B              | Orifice (Blue)   | 12  | 4232  | 4232                               |          |
| 9               | Feed Tube with Strainer, Orifice, Compression Sleeve and Nut             | 1   | 4235  | 4235                               |          |
| 10              | Scale Control Insert   | 12  | 4236  | 4236                               |          |
| 11A             | Male Disconnect Assembly   | 1   | 4240  | 4240                               |          |
| 11B             | Male Disconnect Assembly with push connectors                            | 1   | 5833  | 5833                               |          |
| 12              | Water Distribution Tray  | 1   | 4246  | 4246                               |          |
| 13              | Fan Blade  | 1   | 4247  | 4247                               |          |
| 14              | Electrical Grommet   | 1   | 4249  | 4249                               |          |
| 15              | Power Cord (Blue/Gray)   | 1   | 4664  | 4664                               |          |
| 25              | Name Plate Assembly  | 1   | 4968  | 4968                               |          |
| OTHER PARTS     |  |   | SELL PACK *Must be ordered in multiples of* | PART NO.                           | PART NO. |
|                 | Outdoor Temperature Sensor (only available for automatic units)          | 1   | 8052  | 8052                               |          |
|                 | Current Sensing Relay  | 1   | 50  | 50                                 |          |
|                 | Saddle Valve Adapter   | 6   | 4229 (Obsolete)                             | 4229 (Obsolete)                    |          |
|                 | Shock Arrestor   | 1   | 4280  | 4280                               |          |
|                 | Maintenance Kits (Includes parts 35, 4236, 4235, 4246, 4232 and 4004)    | 1   | 4750  | 4750                               |          |
|                 | Blower Activation Relay  | 10  | 4851  | 4851                               |          |

<sup>1</sup>Full units no longer available, parts only.

# Model 800(LC)/801/865/866 Residential Steam Humidifiers

(Release Date of Model 800/865 after November 2014)



# Model 800(LC)/801/865/866 Residential Steam Humidifiers

(Release Date of Model 800/865 after November 2014)

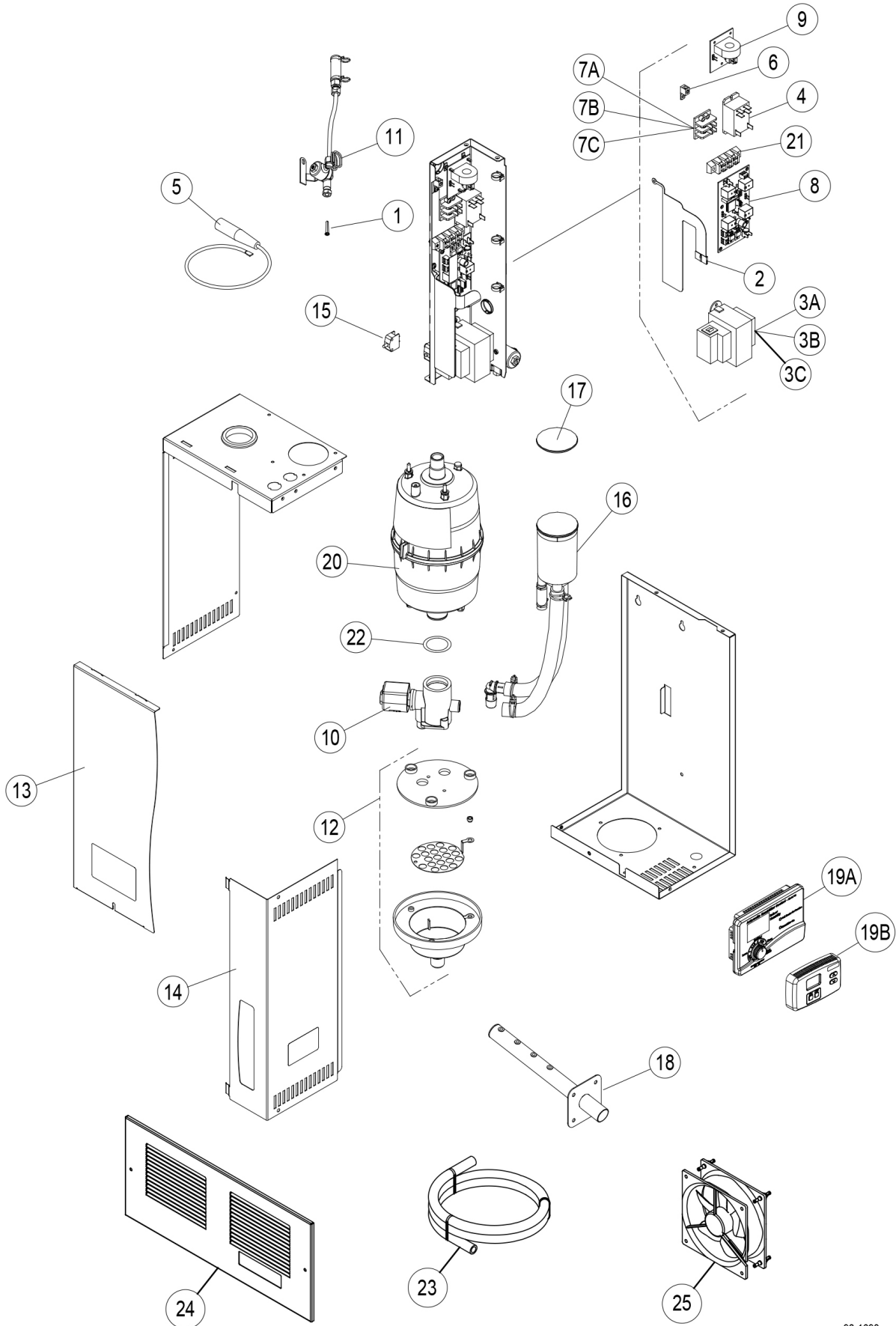
| NO.                | PART NAME   | SELL PACK *Must be ordered in multiples of* | PART NO. |
|--------------------|---|---|----------|
| 1                  | Fill Valve In-line Strainer   | 12  | 4004     |
| 2                  | Membrane Switch   | 1   | 5532     |
| 3A                 | Transformer, Universal for Model 865, 866 (75 VA)   | 1   | 5306     |
| 3B                 | Universal Transformer, Model 800, 801 (40 VA)   | 1   | 5529     |
| 4                  | Electrode Wire  | 1   | 4978     |
| 5                  | Drain Valve   | 1   | 4983     |
| 6                  | Inlet Fill Valve, Water Feed Tube and Clamps  | 1   | 5531     |
| 7                  | Drain Cup Assembly  | 1   | 4985     |
| 8                  | Front Panel and Screw   | 1   | 4986     |
| 9                  | Electrical Access Panel and Screw   | 1   | 4987     |
| 10                 | Safety Interlock Switch   | 1   | 4988     |
| 11                 | Fill Cup and Hoses  | 1   | 5590     |
| 12                 | Fill Cup Cap  | 1   | 4990     |
| 13                 | Steam Dispersion Tube and Screws  | 1   | 4991     |
| 14A                | Steam Canister and O-Ring   | 6   | 80       |
| 14B                | Steam Canister and O-Ring for Model 800LC   | 6   | 80LC     |
| 15A                | Automatic Digital Humidifier Control for Model 800  | 1   | 62       |
| 15B                | Digital Manual Humidistat (Wall Mounted)  | 1   | 65       |
| 15C                | Automatic Digital Modulating control (ADMC) for Model 801   | 1   | 63       |
| 15D                | Automatic Digital Modulating control (ADMC) for Model 866   | 1   | 5558     |
| 16A                | Control Board, Model 800, 865   | 1   | 5530     |
| 16B                | Modulating Control board, Model 801, 866  | 1   | 5554     |
| 17A                | Fan Pack Grille, Plastic  | 1   | 5662     |
| 17B                | Fan Pack Grille, Metal  | 1   | 4998     |
| 18                 | Fan Pack Fan  | 1   | 4999     |
| 19                 | O-Ring for Steam Canister   | 6   | 5258     |
| <b>OTHER PARTS</b> |   |   |          |
|                    | Saddle Valve  | 1   | 4001     |
|                    | Drain Trap Assembly   | 1   | 4028     |
|                    | Airflow Proving Switch  | 1   | 4592     |
|                    | High Humidity Limit Switch  | 1   | 4594     |
|                    | Relay, ADHC   | 1   | 4851     |
|                    | Condensate Pump (Rated for 160°F)   | 1   | 4856     |
|                    | Steam Hose (6ft.) and Clamps  | 1   | 4973     |
|                    | Drain Hose (10 ft.) and Clamps  | 1   | 4974     |
|                    | Duct Sensor, Used with Model 63 Only  | 1   | 5559     |
|                    | Dispersion Tube Mounting Bracket for 8" Round Hi-Velocity Duct  | 1   | 5405     |
|                    | Condensate Tubing with Wire Ties  | 1   | 4997     |
|                    | Maintenance Kit   | 1   | 5768     |
|                    | Fan Pack includes 75VA transformer and Model 65 control. Part No. 4028 drain trap assembly sold separately. | 1   | 5658     |

### Competitive Canister/Cylinder

| PART NAME   | SELL PACK *Must be ordered in multiples of* | PART NO.          |
|---|---|-------------------|
| Honeywell® HM700ACVL2 and Nortec® 202 Replacement Steam Humidifier Cylinder | 1   | 202AAC (Obsolete) |
| Nortec® 204 Replacement Steam Humidifier Cylinder                           | 1   | 204AAC (Obsolete) |
| Nortec® 303 Replacement Steam Humidifier Cylinder                           | 1   | 303AAC (Obsolete) |
| Nortec® 311 Replacement Steam Humidifier Cylinder                           | 1   | 311AAC (Obsolete) |
| Nortec® 321 Replacement Steam Humidifier Cylinder                           | 1   | 321AAC (Obsolete) |
| Nortec® 411 Replacement Steam Humidifier Cylinder                           | 1   | 411AAC (Obsolete) |
| Nortec® 421 Replacement Steam Humidifier Cylinder                           | 1   | 421AAC (Obsolete) |
| Nortec® 605 Replacement Steam Humidifier Cylinder                           | 1   | 605AAC (Obsolete) |
| Nortec® 607 Replacement Steam Humidifier Cylinder                           | 1   | 607AAC (Obsolete) |
| Nortec® 621 Replacement Steam Humidifier Cylinder                           | 1   | 621AAC (Obsolete) |

# Model 800/865 Residential Steam Humidifiers

(Release Date Before November 2014)<sup>3</sup>



# Model 800/865 Residential Steam Humidifiers

(Release Date Before November 2014)<sup>3</sup>

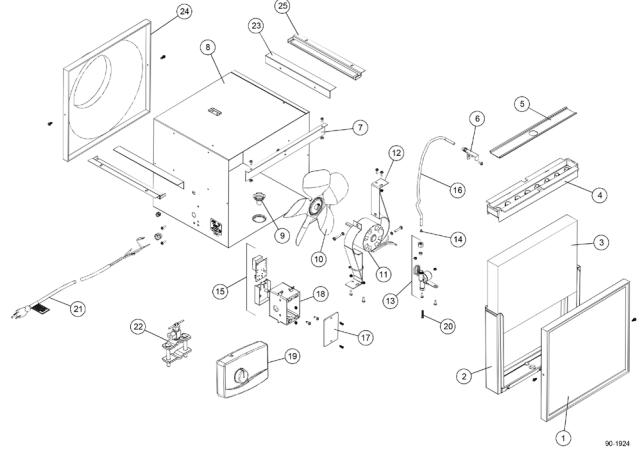
| NO.                | PART NAME  | SELL PACK *Must be ordered in multiples of* | PART NO.        |
|--------------------|--|---|-----------------|
| 1                  | Fill Valve In-line Strainer  | 12  | 4004            |
| 2                  | Membrane Switch  | 1   | 4975            |
| 3A                 | Transformer, 120/24 VAC for 11.5 amp unit <sup>2</sup> & fill valve contained within housing                           | 1   | 4976 (Obsolete) |
| 3B                 | Transformer, Universal for Model 865 with fill valve inlet extending from bottom of housing (75 VA)                    | 1   | 5306            |
| 3C                 | Transformer, Universal for Model 800 with fill valve inlet extending from bottom of housing (40 VA)                    | 1   | 5529            |
| 4                  | Power Relay  | 1   | 4977            |
| 5                  | Electrode Wire   | 1   | 4978            |
| 6                  | Ground Lug   | 1   | 4979            |
| 7A                 | Input Power Terminal Block 3-post for 11.5 amp unit <sup>2</sup> and fill valve contained within housing               | 1   | 4980            |
| 7B                 | Input Power Terminal Block 2-post for 11.5 amp unit <sup>2</sup> and fill valve inlet extending from bottom of housing | 1   | 5307            |
| 7C                 | Input Power Terminal Block 2-post for 11.5/16.0 amp unit <sup>2</sup>  | 1   | 5354            |
| 8                  | Internal Control Circuit Board   | 1   | 4981            |
| 9                  | Current Sensing Circuit Board  | 1   | 4982            |
| 10                 | Drain Valve  | 1   | 4983            |
| 11                 | Inlet Fill Valve, Water Feed Tube and Clamps   | 1   | 5531            |
| 12                 | Drain Cup Assembly   | 1   | 4985            |
| 13                 | Front Panel and Screw  | 1   | 4986            |
| 14                 | Electrical Access Panel and Screw  | 1   | 4987            |
| 15                 | Safety Interlock Switch  | 1   | 4988            |
| 16                 | Fill Cup and Hoses   | 1   | 4989            |
| 17                 | Fill Cup Cap   | 1   | 4990            |
| 18                 | Steam Dispersion Tube and Screws   | 1   | 4991            |
| 19A                | Automatic Digital Control  | 1   | 62              |
| 19B                | Digital Manual Control (Wall Mounted)  | 1   | 65              |
| 20                 | Steam Canister and O-Ring  | 6   | 80              |
| 21                 | Transformer terminal block for unit with fill valve inlet extending from bottom of housing                             | 1   | 5308            |
| 22                 | O-Ring for Steam Canister  | 6   | 5258            |
| 23                 | Condensate Tubing with Wire Ties   | 1   | 4997            |
| 24                 | Grille   | 1   | 4998            |
| 25                 | Fan  | 1   | 4999            |
| <b>OTHER PARTS</b> |  |   |                 |
|                    | Saddle Valve   | 1   | 4001            |
|                    | Drain Trap Assembly  | 1   | 4028            |
|                    | Manual Humidistat and Blower Activation Relay  | 1   | 4993 (Obsolete) |
|                    | Airflow Proving Switch   | 1   | 4592            |
|                    | High Humidity Limit Switch   | 1   | 4594            |
|                    | Condensate Pump (Rated for 160°F)  | 1   | 4856            |
|                    | Steam Hose (6 ft) and Clamps   | 1   | 4973            |
|                    | Drain Hose (10 ft) and Clamps  | 1   | 4974            |
|                    | Dispersion Tube Mounting Bracket for 8" Round Hi-Velocity Duct   | 1   | 5405            |

<sup>2</sup>See data label on side of humidifier to determine if unit draws 11.5 amps or 11.5/16.0 amps.

<sup>3</sup>Full units of Models 800 & 865 with a release date before November 2014 no longer available, parts only.

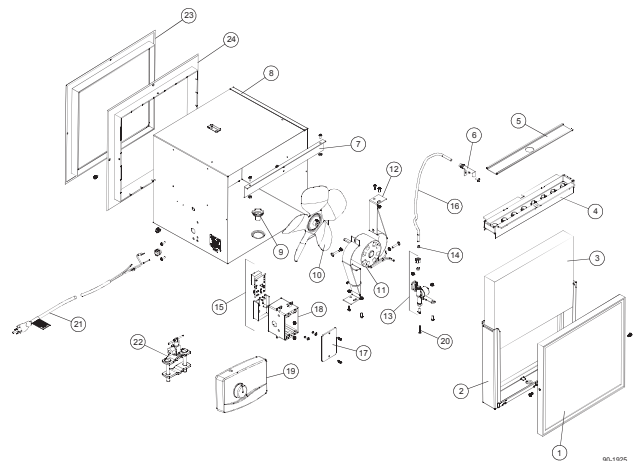
## Model 350 Humidifiers

| NO.                | PART NAME  | SEIL PACK *Must be ordered in multiples of* | PART NO.        |
|--------------------|--|---|-----------------|
| 1                  | Inlet Frame Almond   | 1   | 4206            |
|                    | Inlet Frame Gray   | 1   | 4852            |
| 2                  | Scale Control Insert, 300/350/360                            | 12  | 4181            |
| 3                  | Water Panel* Evaporator                                      | 10  | 35              |
| 4                  | Distribution Tray 300/350/360                                | 1   | 4182            |
| 5                  | Distribution Tray Cover                                      | 1   | 4183            |
| 6                  | Nozzle Only 350/360  | 1   | 4184            |
| 7                  | Baffle   | 1   | 4185            |
| 8                  | Housing Almond   | 1   | 4186 (Obsolete) |
|                    | Housing Gray   | 1   | 4858            |
| 9                  | Drain Spud 300/350/360                                       | 1   | 4187            |
| 10                 | Fan Blade  | 1   | 4188            |
| 11                 | Motor  | 1   | 4189            |
| 12                 | Motor Brackets   | 1 Set                                       | 4190            |
| 13                 | Solenoid Valve (Plastic Junction Box)                        | 1   | 4191            |
| 14                 | Orifice (Blue)   | 12  | 4232            |
| 15                 | 120 Volt Humidifier Control - Replaces 4013                  | 1   | 4258            |
| 16                 | Feed Tube with Strainer, Orifice, Compression Sleeve and Nut | 1   | 4079            |
| 17                 | Junction Box Cover   | 1   | 4193            |
| 18                 | Junction Box   | 1   | 4194            |
| 19                 | Humidistat   | 1   | 4655            |
| 20                 | In-Line Strainer   | 12  | 4004            |
| 21                 | Power Cord   | 1   | 4286            |
| 22                 | Saddle Valve   | 1   | 4001            |
| 23                 | Angle Support Almond   | 2   | 4813            |
|                    | Angle Support Gray   | 2   | 4875            |
| 24                 | Outlet Transition Almond                                     | 1   | 4201            |
|                    | Outlet Transition Gray                                       | 1   | 4854            |
| 25                 | Joist Bracket Almond   | 2   | 4202            |
|                    | Joist Bracket Gray   | 2   | 4874            |
| <b>OTHER PARTS</b> |  |   |                 |
|                    | Screws and Clips Almond                                      | 1   | 4203 (Obsolete) |
|                    | Screws and Clips Gray  | 1   | 4850            |
|                    | Saddle Valve Adapter   | 6   | 4229 (Obsolete) |
|                    | Shock Arrestor   | 1   | 4280            |

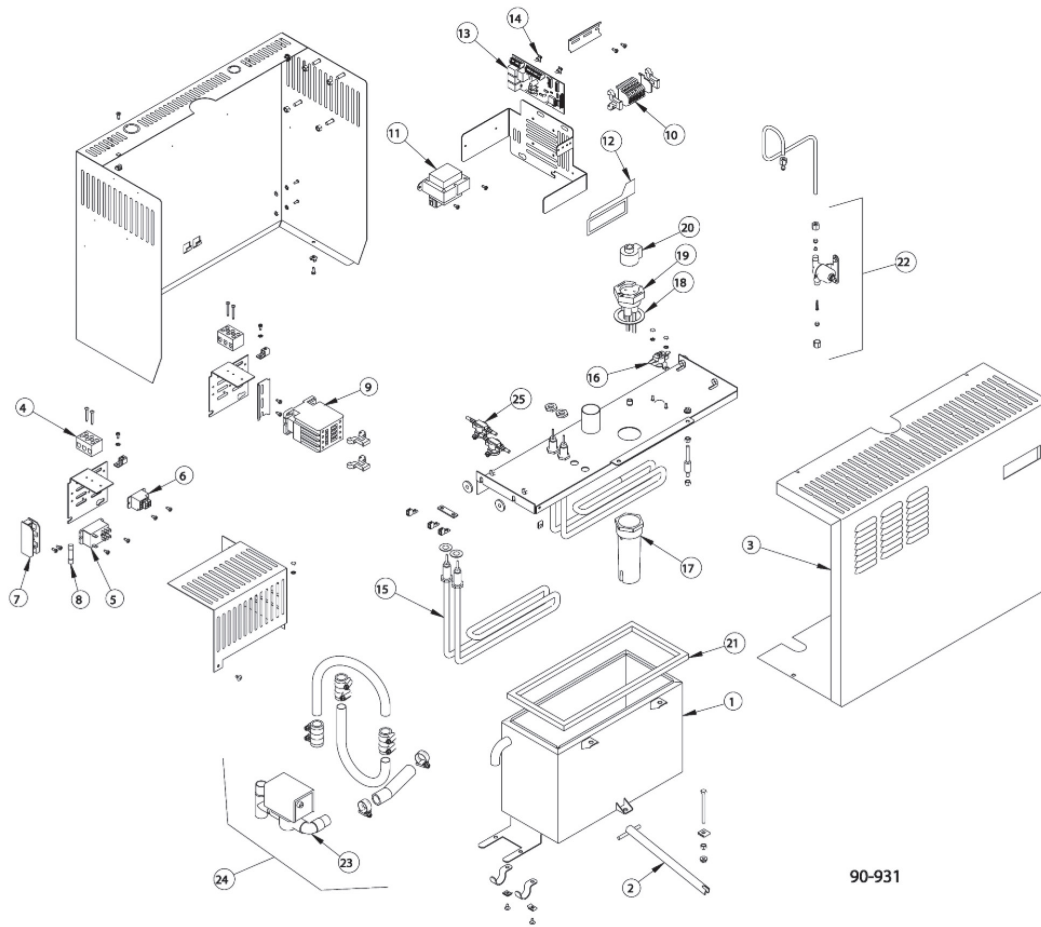


## Model 360 Humidifiers

| NO.                | PART NAME  | SEIL PACK *Must be ordered in multiples of* | PART NO.        |
|--------------------|--|---|-----------------|
| 1                  | Inlet Frame Almond   | 1   | 4206            |
|                    | Inlet Frame Gray   | 1   | 4852            |
| 2                  | Scale Control Insert, 300/350/360                            | 12  | 4181            |
| 3                  | Water Panel* Evaporator                                      | 10  | 35              |
| 4                  | Distribution Tray 300/350/360                                | 1   | 4182            |
| 5                  | Distribution Tray Cover                                      | 1   | 4183            |
| 6                  | Nozzle Only 350/360  | 1   | 4184            |
| 7                  | Baffle   | 1   | 4185            |
| 8                  | Housing Almond (Obsolete)                                    | 1   | 4186            |
|                    | Housing Gray   | 1   | 4858            |
| 9                  | Drain Spud 300/350/360                                       | 1   | 4187            |
| 10                 | Fan Blade  | 1   | 4215            |
| 11                 | Motor  | 1   | 4189            |
| 12                 | Motor Brackets   | 1 Set                                       | 4190            |
| 13                 | Solenoid Valve (Plastic Junction Box)                        | 1   | 4191            |
| 14                 | Orifice (Blue)   | 12  | 4232            |
| 15                 | 120 Volt Humidifier Control - Replaces 4013                  | 1   | 4258            |
| 16                 | Feed Tube with Strainer, Orifice, Compression Sleeve and Nut | 1   | 4079            |
| 17                 | Junction Box Cover   | 1   | 4193            |
| 18                 | Junction Box   | 1   | 4194            |
| 19                 | Humidistat   | 1   | 4655            |
| 20                 | In-Line Strainer   | 12  | 4004            |
| 21                 | Power Cord   | 1   | 4286            |
| 22                 | Saddle Valve   | 1   | 4001            |
| 23                 | Outlet Grille Almond   | 1   | 4204            |
|                    | Outlet Grille Gray   | 1   | 4859            |
| 24                 | Inlet Wall Frame Almond                                      | 1   | 4205            |
|                    | Inlet Wall Frame Gray  | 1   | 4860            |
| <b>OTHER PARTS</b> |  |   |                 |
|                    | Screws and Clips Almond                                      | 1   | 4203 (Obsolete) |
|                    | Screws and Clips Gray  | 1   | 4850            |
|                    | Saddle Valve Adapter   | 6   | 4229 (Obsolete) |
|                    | Shock Arrestor   | 1   | 4280            |



# Model 1150<sup>1</sup>, 1160<sup>1</sup> & 1180<sup>1</sup> Steam Humidifiers



90-931

| NO. | PART NAME                   | SELL PACK *Must be ordered in multiples of* | PART NO.        |
|-----|-----------------------------|---|-----------------|
| 1   | Steam Chamber, 1150         | 1   | 4560            |
|     | Steam Chamber, 1160         | 1   | 4561            |
|     | Steam Chamber, 1180         | 1   | 4627            |
| 2   | Quick Release Handle, 1150  | 1   | 4562            |
|     | Quick Release Handle, 1160  | 1   | 4563            |
|     | Quick Release Handle, 1180  | 1   | 4628            |
| 3   | Cover 1150 & 1160           | 1   | 4564            |
|     | Cover 1180                  | 1   | 4629            |
| 4   | Terminal Block              | 1   | 4565            |
| 5   | Relay, AC Safety (1150)     | 1   | 4566            |
| 6   | Relay, DC Control (1150)    | 1   | 4567            |
| 7   | Fuse Holder (1150)          | 1   | 4568            |
| 8   | Fuse, 25 Amp (1150)         | 1   | 4569            |
| 9   | Contactor (1160 & 1180)     | 1   | 4570 (Obsolete) |
| 10  | Terminal                    | 1   | 4571            |
| 11  | Transformer                 | 1   | 4572            |
| 12  | Overlay & Switch            | 1   | 4573            |
| 13  | Internal Control Board      | 1   | 4574            |
| 14  | Standoff                    | 1   | 4575            |
| 15  | Heater (1150 & 1160)        | 1   | 4576            |
|     | Heater (1180)               | 1   | 4630            |
| 16  | Over-Temperature Thermostat | 1   | 4577            |
| 17  | Probe Housing               | 1   | 4578            |

| NO.                | PART NAME                                  | SELL PACK *Must be ordered in multiples of* | PART NO.        |
|--------------------|--|---|-----------------|
| 18                 | Water Level Probe Gasket                   | 1   | 4579            |
| 19                 | Water Level Probe Assy                     | 1   | 4580            |
| 20                 | Plug                                       | 1   | 4581            |
| 21                 | Gasket, 1150 Steam Chamber                 | 1   | 4582            |
|                    | Gasket, 1160 Steam Chamber                 | 1   | 4583            |
|                    | Gasket, 1180 Steam Chamber                 | 1   | 4631            |
| 22                 | Fill Valve                                 | 1   | 4584            |
| 23                 | Drain Valve                                | 1   | 4585            |
| 24                 | Drain Assy                                 | 1   | 4587            |
| 25                 | Thermal Cutout                             | 1   | 4595            |
| <b>OTHER PARTS</b> |  |   |                 |
|                    | Wiring Harness                             | 1   | 4637            |
|                    | Hose, 1-1/2" Dia. (1150 & 1160)            | 1   | 4588            |
|                    | Hose, 2" Dia. (1180)                       | 1   | 4632            |
|                    | Distribution Tube, 1-1/2" Dia x 10" (1150) | 1   | 4589            |
|                    | Distribution Tube, 1-1/2" Dia x 16" (1160) | 1   | 4590            |
|                    | Distribution Tube, 2" Dia x 28" (1180)     | 1   | 4633 (Obsolete) |
|                    | Duct Plate (1150 & 1160)                   | 1   | 4591            |
|                    | Duct Plate (1180)                          | 1   | 4636            |
|                    | Airflow Switch                             | 1   | 4592            |
|                    | Automatic Steam Humidifier Control         | 1   | 57              |
|                    | Hanging Bracket                            | 1   | 4593            |
|                    | High Humidity Limit Switch                 | 1   | 4594            |

**Full units no longer available, parts only.**

We reserved the right to make modifications as deemed necessary in line with our policy to continue supplying the finest equipment available.

All prices are F.O.B. Poynette, WI, and subject to change without notice.

Orders may be sent via EDI, Fax, email (purchaseorders@aprilair.com), Mail or Phone. If EDI, call us for initial Setup.



PO Box 1467

Madison, WI 53701-1467

Ph. 800.334.6011 Fx. 608.257.4357