

SL 20-160 G3 Modulating Boiler - Parts assembly

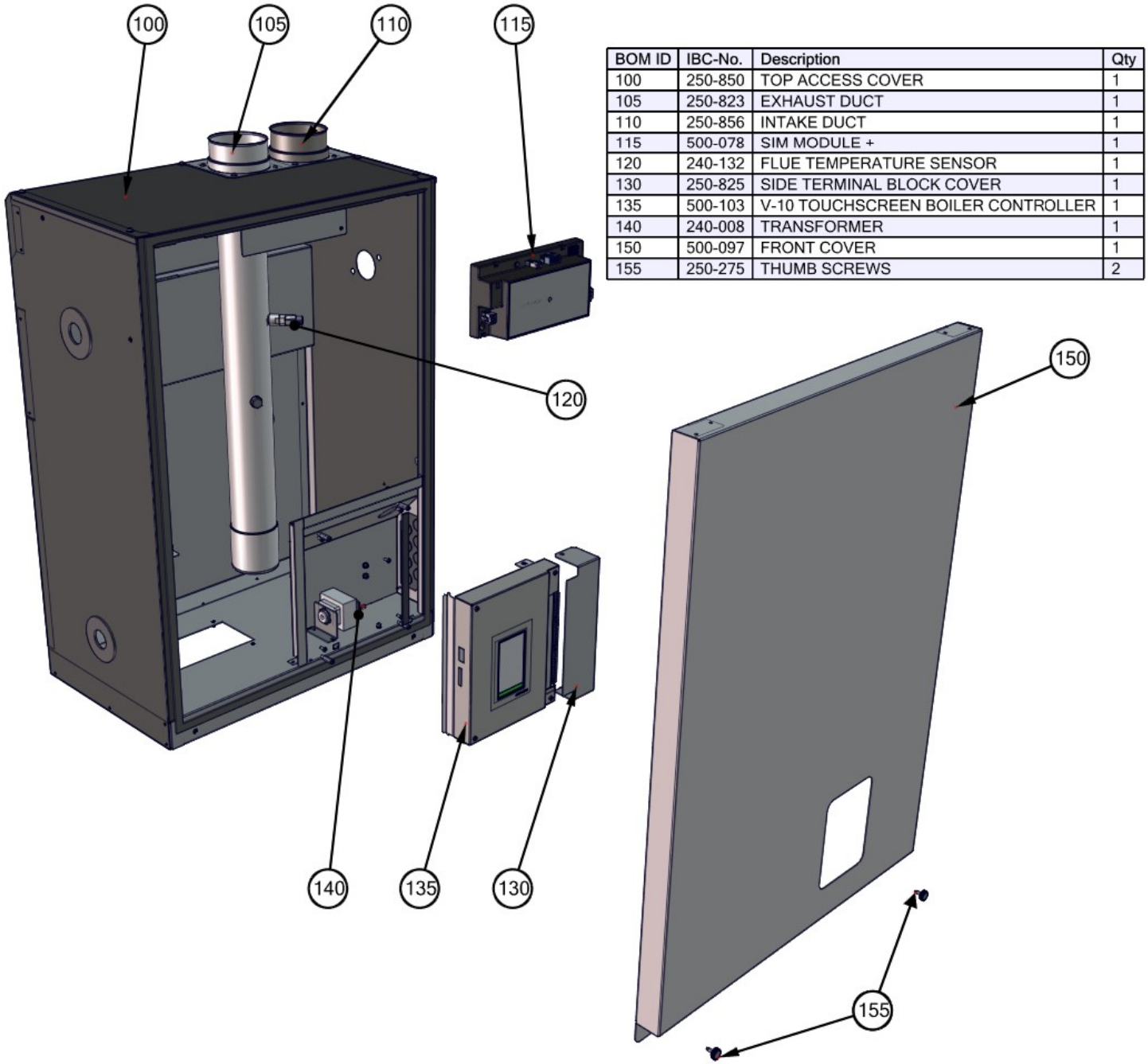
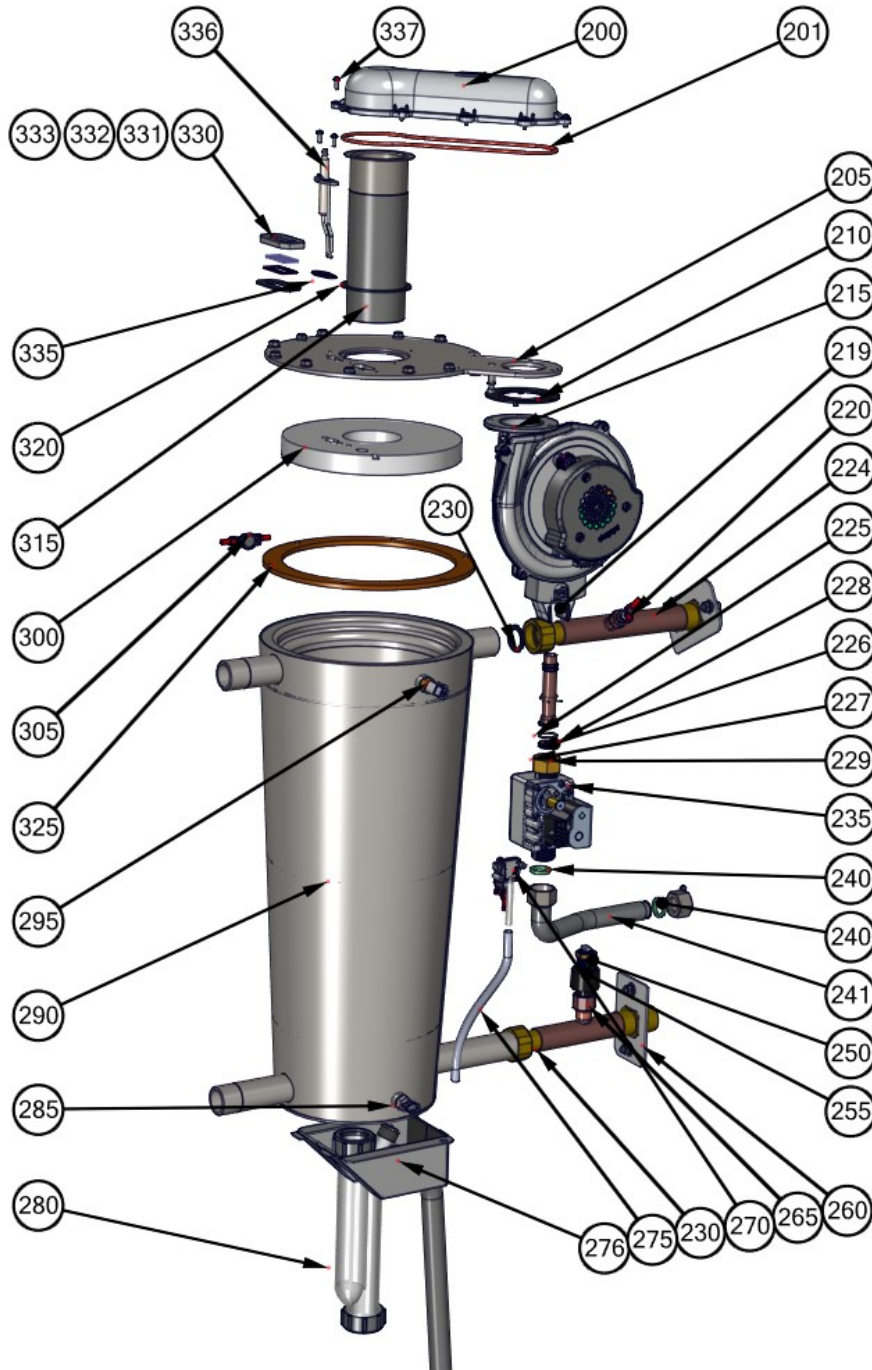


Diagram 6.1-2: Boiler assembly parts



| BOM ID | IBC-No. | Description | Qty |
|--------|---------|----------------------------------|-----|
| 200 | 250-749 | FAN COUPLER | 1 |
| 201 | 150-254 | FAN COUPLER O-RING | 1 |
| 205 | 170-042 | HEAT EXCHANGER LID | 1 |
| 210 | 250-627 | FAN GASKET | 1 |
| 215 | 240-114 | COMBUSTION FAN | 1 |
| 219 | 240-124 | VENTURI | 1 |
| 220 | 240-010 | LOW WATER CUTOFF PROBE | 1 |
| 224 | 250-555 | SUPPLY WATER PIPE | 1 |
| 225 | 250-792 | GAS TUBE | 1 |
| 226 | 180-107 | ORIFICE NG (650) | 1 |
| 227 | 180-095 | ORIFICE LP (505) | 1 |
| 228 | 150-175 | ORIFICE O-RING | 1 |
| 229 | 250-811 | GAS VALVE UNION NUT | 1 |
| 230 | 250-458 | WATER PIPE GASKET | 2 |
| 235 | 180-165 | GAS VALVE | 1 |
| 240 | 150-271 | GAS LINE GASKET | 2 |
| 241 | 190-159 | GAS LINE | 1 |
| 250 | 240-006 | WATER PRESSURE SENSOR | 1 |
| 255 | 250-023 | WATER PRESSURE SENSOR BUSHING | 1 |
| 260 | 250-592 | WATER PIPE BRACKET | 2 |
| 265 | 250-454 | RETURN WATER PIPE | 1 |
| 270 | 240-138 | AIR PRESSURE SWITCH | 1 |
| 275 | 190-165 | SILICONE TUBE | 1 |
| 276 | 250-662 | CONDENSATE TRAP RETAINER | 1 |
| 280 | 180-013 | CONDENSATE TRAP | 1 |
| 285 | 240-134 | RETURN WATER TEMPERATURE SENSOR | 1 |
| 290 | 170-034 | HEAT EXCHANGER | 1 |
| 295 | 240-133 | SUPPLY DUPLEX TEMPERATURE SENSOR | 1 |
| 300 | 250-762 | HEAT EXCHANGER REFRACTORY 160 G3 | 1 |
| 305 | 240-030 | HIGH LIMIT SWITCH | 1 |
| 315 | 180-187 | BURNER 160 G3 | 1 |
| 320 | 255-069 | BURNER GASKET | 1 |
| 325 | 255-029 | HEAT EXCHANGER LID GASKET | 1 |
| 330 | 250-057 | SIGHT GLASS FRAME | 1 |
| 331 | 250-059 | SIGHT GLASS | 1 |
| 332 | 255-025 | SIGHT GLASS UPPER GASKET | 1 |
| 333 | 255-023 | SIGHT GLASS LOWER GASKET | 1 |
| 335 | 250-050 | IGNITOR GASKET | 1 |
| 336 | 240-141 | IGNITOR | 1 |
| 337 | 150-260 | IGNITOR/FAN COUPLER SCREWS | 10 |