



Stoneridge™

60" x 32" alcove shower base, right drain
K-44150

Features

- Honed surface provides improved slip resistance (tested in accordance with DIN EN 16165:2023-02 Annex A)
- Three-sided integral flange
- Color-matched drain cover
- Complements traditional and contemporary bathroom designs
- Allows for quick and easy mortarless installation
- Contains more than 60% natural stone

Material

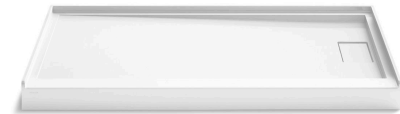
- KOHLER® engineered stone

Installation

- Alcove
- Right drain
- For residential and hospitality use

Recommended Products/Accessories

K-9132 Shower Drain



Codes/Standards

CSA B45.5/IAPMO Z124
ASTM E162
ASTM E662

KOHLER® Plastic Baths and Shower Bases Lifetime Limited Warranty

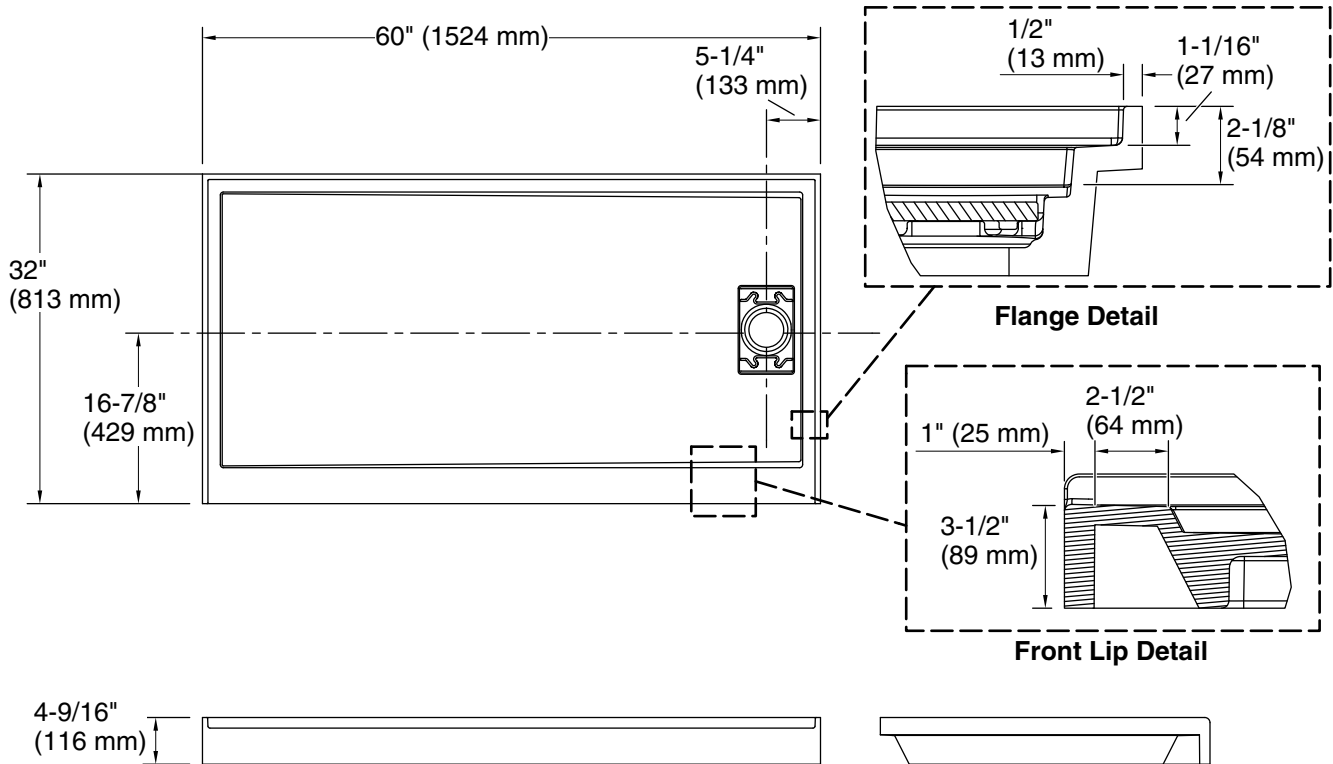
See website for detailed warranty information.

Available Colors/Finishes

Color tiles intended for reference only.

Color	Code	Description
-------	------	-------------

	HW1	Honed White
---	-----	-------------



Technical Information

All product dimensions are nominal.

Drain location: Right

Weight: 181 lbs (82.1 kg)

Notes

Measure your actual product for rough-in details.

Install this product according to the installation instructions.