

VITODENS 200-W

Vitodens 200-W	WB2B-19 7374 863	WB2B-26 7374 864	WB2B-35 7374 865	
General Info	Price List Section:	2.6		
	Parts Catalog Section:	10		
	Series Name:	WB2B		
	Applies to serial nos. beginning with:	7374863...	7374864...	7374865...
	As at:	05/27/2016 03		

Parts List

Please refer to:

Parts List

Pos.

Description

Part Numbers / Price Categories

Pos.	Description	Part Numbers / Price Categories
001	Air Vent w Shut-off Base, 3/8"	7819 971 ⁷
002	Heating Supply Conn. Pipe (Ht.Exch)	7831 386 ¹⁸
003	Heating Supply Conn. Pipe Extension	7831 482 ¹⁵
004	Heating Return Conn. Pipe (Ht.Exch)	7831 388 ¹¹
005	Heating Return Conn. Pipe Extension	7831 484 ¹²
006	Heat Exchanger Assly, ASME	7839 671 ⁵⁰
007	Gasket (Flue Gas)	7828 645 ⁵
008	Press. Gage (PSI)	7831 486 ¹¹
009	Condensate Pipe	7828 426 ⁹
010	Condensate Hose	7826 464 ⁷
011	Condensate Hose	7818 021 ⁶
012	Test Port Cap (Set of 2)	7822 742 ⁶
013	Vent Pipe Adaptor 60/100	7826 466 ⁸
014	Air Intake Cover	7827 389 ⁴
015	Gasket (Flue Gas), DN 60	7826 471 ⁴
016	Air Intake Cap	7827 414 ⁴
017	Sealing Grommet, DN60	7827 995 ⁶
018	Comb.Chbr.Refr.	7830 016 ¹¹
019	Gas Connection Pipe	7831 485 ¹⁴
020	Fastener Set (Return Pipe)	7826 221 ⁸
021	Clip D = 8 (Set of 5)	7827 943 ⁶
022	Connector Retaining Clip (Set of 2)	7822 769 ⁵
023	Sealing Grommet Set	7831 393 ⁹
024	O-Ring Set (Heat Exchanger 21x3mm)	7826 214 ⁴
025	O-Ring Set (Supply/Return 18x3mm)	7826 215 ⁴
026	Support Bracket Set (Heat Exch.)	7823 849 ⁷
027	Spring Clips (Set)	7820 118 ⁶
028	Front Panel	7826 366 ¹⁷
029	Mounting Clip (Set of 2)	7817 500 ³
030	Wall-Mount Bracket Assly	7839 754 ¹²
050	Burner Gasket, 187x5.5mm	7823 834 ^D
051	Comb.Ch.Dr.Refr.	7828 346 ⁹
052	Burner Tube	7826 513 ¹⁹
053	Gasket (Burner Tube)	7826 514 ⁵
054 W	Ignition Electrode w Gskt	7826 516 ¹⁰
055 W	Ionization Electrode w Gsk	7834 234 ¹²
058	Gasket (Radial Fan)	7826 506 ⁶
059 W	Radial Fan NRG118 w Gskts	7831 487 ²⁸
061	Gas Valve CES w Gskts	7836 324 ²⁰
062	Burner Mounting Flange Assly w Gskts	7826 519 ¹⁴
063 W	Ign. Transformer, BW12126-00	7827 957 ¹¹
070	Gasket (Electrode Block)	7827 024 ⁶
071	Gasket (Ignition Electrode)	7827 025 ⁶
072	Gasket Set (Gas Conn. Pipe)	7827 026 ⁴
073	Fixed Orifice NG + LP	7827 485 ⁵

VITODENS 200-W

Vitodens 200-W	WB2B-19 7374 863	WB2B-26 7374 864	WB2B-35 7374 865	
General Info	Price List Section:	2.6		
	Parts Catalog Section:	10		
	Series Name:	WB2B		
	Applies to serial nos. beginning with:	7374863...	7374864...	7374865...
	As at:	05/27/2016 03		

Parts List

Please refer to: Parts List
Pos. Description

Part Numbers / Price Categories

Pos.	Description	Part Numbers / Price Categories
074	Venturi Extension w Gskt	7827 958 ⁸
080	Control Console	7838 384 ⁴⁴
081	Back Cover, Control Console	7822 749 ⁷
082	Fastening Clip (10 Pack)	7818 063 ⁶
083	Ctrl Housing, Bottom	7822 890 ¹¹
084	Cover (Flip-Down)	7822 891 ¹¹
085	Press. Gage Insert	7822 707 ⁴
086	Clip (Ctrl Housing, Set of 10)	7822 708 ⁵
087	Hinges (Ctrl Housing, Set of 10)	7822 709 ⁷
089 W	Fuse, 6.3A/250V (Pkg of 10)	7404 365 ⁶
091	Vitotronic 200 H01	7825 182 ⁴⁵
093	LON Communication Module H01 c/w Adaptor	7179 113 ³³
094	Circuit Board (LON Module Adaptor)	7823 033 ¹⁰
095	Fuse Holder	7823 502 ⁴
096	Counter Plug	7823 515 ¹⁰
097	Strain Relief (Set of 10)	7823 516 ⁶
098	Coding Plug 0-5000ft	7833 221 ⁸
099	Coding Plug 5000-10000ft	7424 902 ¹¹
100	Wiring Harness, X8/X9	7831 478 ¹⁶
101	Connecting Cable, Radial Fan 100	7826 387 ⁹
103	Connecting Cable, Step-Motor	7826 389 ⁷
106	Access Protection	7817 523 ⁵
150	Sensor #1 (Outdoor)	7820 148 ¹⁹
151	Sensor #15 (Flue Gas)	7822 767 ⁸
152	Fixed High Limit, 210°F/99°C	7825 487 ¹⁴
153	Sensor #3 (Boiler)	7819 967 ¹⁴
154	Flow Switch VK315M	7826 314 ¹³
202	Touch-UP Spray Paint "Vitowhite"	7822 681 ⁹
203	Touch-UP Paint Stick "Vitowhite"	7822 682 ⁵

VITODENS 200-W

Vitodens 200-W	WB2B-19 7374 863	WB2B-26 7374 864	WB2B-35 7374 865	
General Info	Price List Section:	2.6		
	Parts Catalog Section:	10		
	Series Name:	WB2B		
	Applies to serial nos. beginning with:	7374863...	7374864...	7374865...
	As at:	05/27/2016 03		

Parts List

Please refer to: Parts List
Pos. Description

Part Numbers / Price Categories

Pos.	Description	Part Numbers / Price Categories
400	Installation Fittings with Vitotronic 200	7427 301 ⁷²
405	Vitotronic 200 HO1 (with OTS)	7193 952 ⁴⁸
410	Power/Pump Ctrl Module	7436 069 ⁵¹
415 * ¹	Pr.Rel Valve, 3/4" (FF) 30PSI	9542 940 ⁸
415	Pr.Rel Valve, 3/4" x 3/4" 45PSI	9549 944 ¹¹
416	Nipple, 3/4" x 2" Brass	9570 696 ⁴
417	Sediment Faucet, 3/4" NPT	9542 942 ⁵
418	Tee, 3/4" Brass	9549 933 ⁷
419	Nipple, 3/4" x 4 1/2" Short Brass	9636 721 ⁶
420	Gas Ball Valve, 3/4" Brass	7134 783 ⁶
423	Extension, 3/4" x 2 1/4" Brass	9549 931 ⁶
425	Access. Pack (Mtl.Stud Mt.Kit)	7134 206 ⁵
426	Access. Pack (Venting Fasteners)	7134 242 ^D
430	Technical Literature Set	7427 299 ^L
431	LPG Conversion Labels	7428 427 ⁶
432	Installation Instructions	5369 297 ^L
433	Service Instructions	5418 911 ^L
434	Operating Instructions	5369 299 ^L
436	Install. Instr. Venting System WB1B/WB2B	5368 815 ^L
437	Warranty Sheet Condensing, Resid v2	5348 723 ^L
438	Parts List Inst. Fittings	5369 304 ^L

Notes:

*1 IMPORTANT 30 psi pressure relief valve is standard equipment shipped with boiler; 45 psi valve is optional equipment.

"n.a." indicates not applicable.

"W" indicates wearing part (service).

"L" indicates literature (no charge).

"Kit" or "Other" indicates that this is not a Price Category item; contact Inside Sales for pricing.

Parts List

VITODENS 200-W WB2B Series

Model No.	Serial No.
WB2B 19	7374863□□□□□□□□
WB2B 26	7374864□□□□□□□□
WB2B 35	7374865□□□□□□□□

Ordering Replacement Parts:

Please provide model no. from rating plate (A) and serial no. when ordering replacement parts. Order replacement components from your Viessmann distributor.

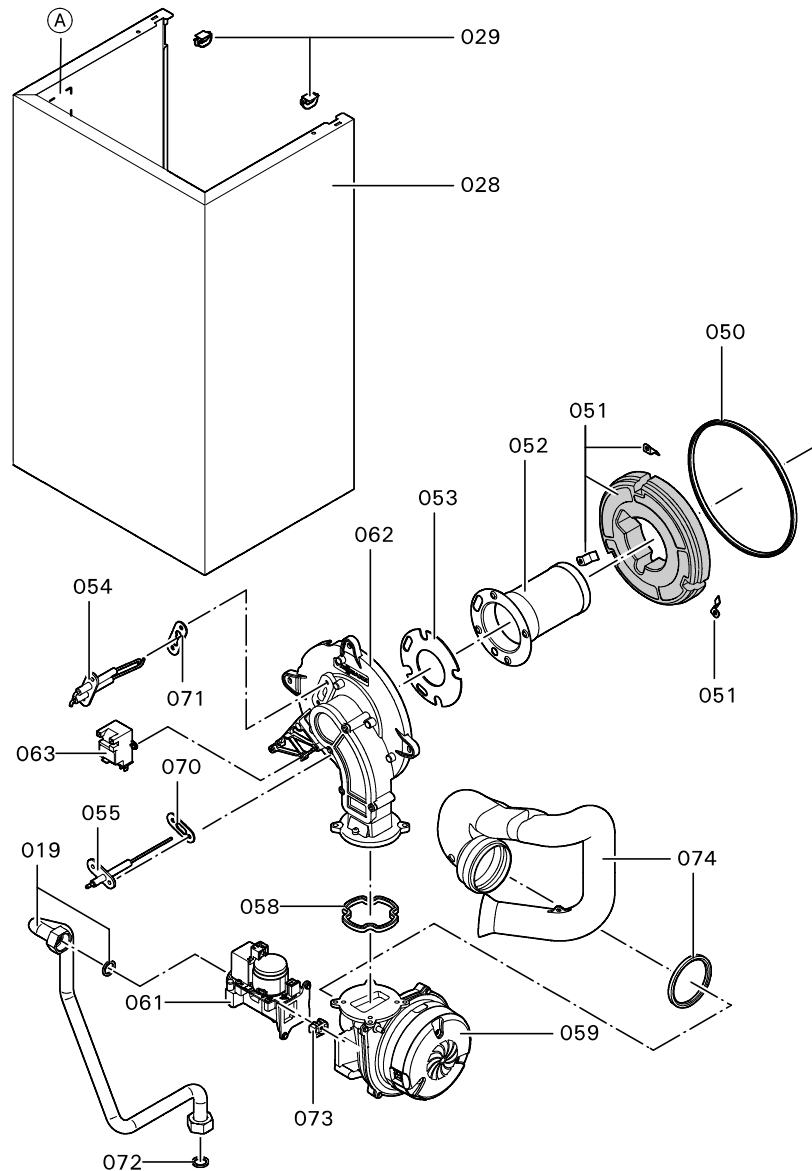
Parts

- 019 Gas connection pipe
- 028 Front panel
- 029 Mounting clip
(set of 2)
- 050 Burner gasket, 187 x 5.5mm
- 051 Combustion chamber door refractory
- 052 Burner tube
- 053 Gasket for burner tube
- 054 Ignition electrode with gasket
- 055 Ionization electrode with gasket
- 058 Gasket for radial fan
- 059 Radial fan NRG118 with gaskets
- 061 Gas valve CES with gaskets
- 062 Burner mounting flange assembly with gaskets
- 063 Ignition transformer, BW12126-00
- 070 Electrode block gasket
- 071 Ignition electrode gasket
- 072 Gasket set for gas connection pipe
- 073 Fixed orifice, NG + LP
- 074 Venturi extension with gasket

Other Parts (not illustrated)

- 202 Touch-up spray paint "Vitowhite"
- 203 Touch-up paint stick "Vitowhite"

(A) CSA Rating Plate



Please file in Service Binder

VITODENS 200-W

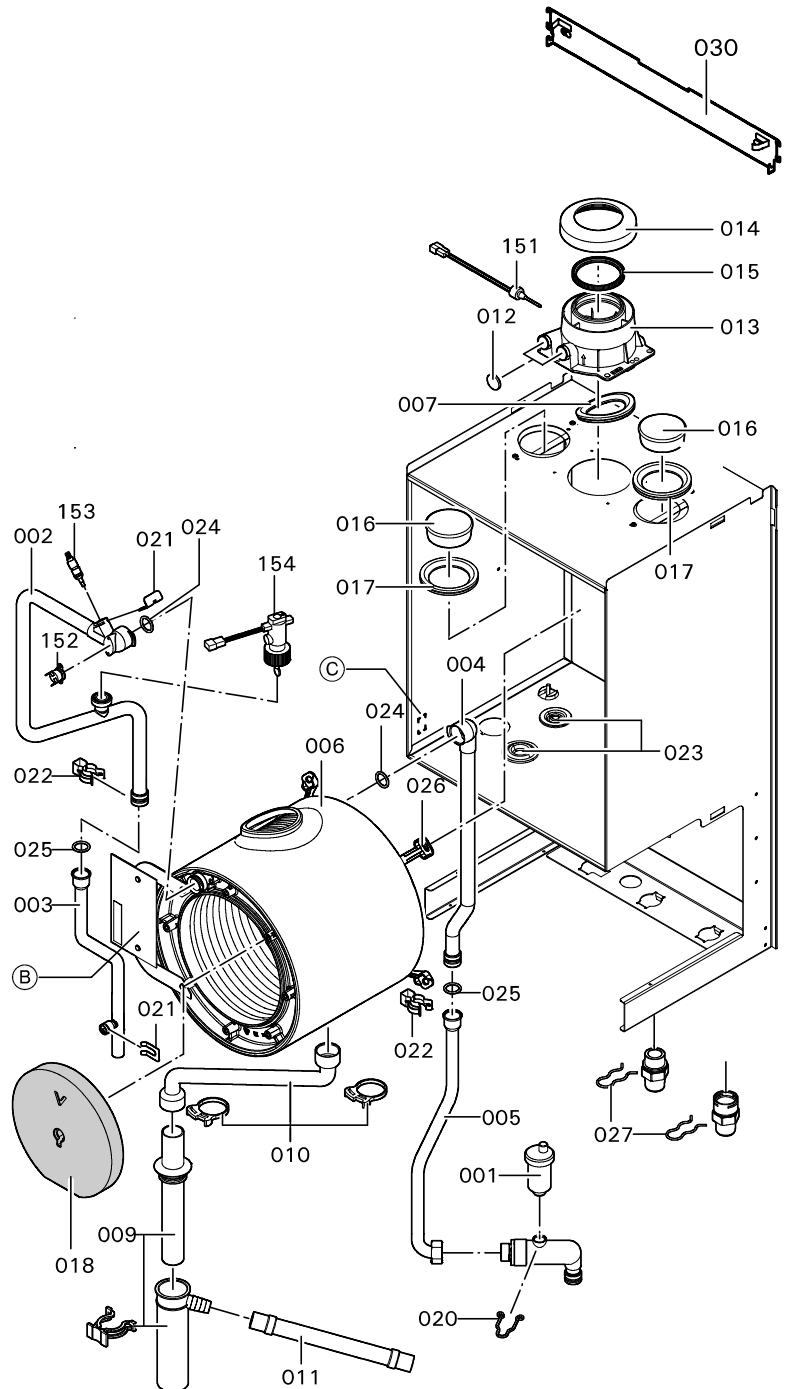
WB2B Series

Model No.	Serial No.
WB2B 19	7374863□□□□□□□□
WB2B 26	7374864□□□□□□□□
WB2B 35	7374865□□□□□□□□

Parts

- 001 Air vent w shut-off base, 3/8"
- 002 Heating supply connection pipe for heat exchanger
- 003 Heating supply connection pipe extension
- 004 Heating return connection pipe for heat exchanger
- 005 Heating return connection pipe extension
- 006 Heat exchanger assembly, ASME
- 007 Flue gas gasket
- 009 Condensate pipe
- 010 Condensate hose
- 011 Condensate hose
- 012 Test port cap (set of 2)
- 013 Vent pipe adaptor 60/100
- 014 Air intake cover
- 015 Air intake gasket, DN60
- 016 Air intake cap
- 017 Sealing grommet, DN60
- 018 Combustion chamber refractory
- 020 Fastener set for return pipe
- 021 Clip d = 8mm (set of 5)
- 022 Connector retaining clip (set of 2)
- 023 Sealing grommet set
- 024 O-Ring set for heat exchanger, 21x3mm
- 025 O-Ring set for supply/return, 18x3mm
- 026 Support bracket set for heat exchanger
- 027 Spring clip set
- 030 Wall-mount bracket assembly
- 151 Flue gas temperature sensor
- 152 Fixed high limit, 210°F/99°C
- 153 Boiler temperature sensor
- 154 Flow switch, VK315M

- Ⓑ ASME Rating Plate
- Ⓒ Boiler Serial No.



VITODENS 200-W WB2B Series

Model No.	Serial No.
WB2B 19	7374863□□□□□□□□
WB2B 26	7374864□□□□□□□□
WB2B 35	7374865□□□□□□□□

Parts

- 008 Pressure gage, PSI
- 080 Control console
- 081 Back cover, control console
- 082 Fastening clip
(set of 10)
- 083 Control housing, bottom
- 084 Flip-down cover
- 085 Pressure gage insert
- 086 Clip for control housing,
(set of 10)
- 087 Hinges for control housing
(set of 10)
- 089 Fuse, 6.3A/250V
(set of 10)
- 091 Vitotronic 200 H01
- 093 LON communication module H01
with LON module adaptor
(Pos. 094)
- 094 Circuit board
(LON module adaptor)
- 095 Fuse holder
- 098 Coding plug for 0-5000ft
- 099 Coding plug for 5000-10000ft
- 150 Outdoor temperature sensor

Other Parts (not illustrated)

- 400 Installation fittings *1
- 410 Power/pump control module *2
- 430 Technical Literature Set
- 431 LPG conversion labels
- 432 Installation Instructions
- 433 Service Instructions
- 434 Operating Instructions
and User's Information Manual
- 436 Installation Instructions
for Venting System
- 437 Warranty Sheet
- 438 Parts List, Installation Fittings

*1 See separate Parts List
for installation fittings.

*2 See separate Parts List
for power/pump control module.

