



Purist® | K-14430

Deck-mount bath spout

Features

- High-arch nondiverter spout with slip-fit connection
- Requires K-411-K spout shank (sold separately) if not used with K-300-K/-, K-300-KR, or K-301-K high-flow ceramic disc valves



Available Colors/Finishes

Color tiles intended for reference only.

- CP Polished Chrome
- SN Vibrant Polished Nickel
- AF Vibrant French Gold
- BN Vibrant Brushed Nickel
- BV Vibrant Brushed Bronze
- BL Matte Black
- 2MB Vibrant Brushed Moderne Brass
- TT Vibrant Titanium
- BGP Vibrant Brushed Graphite



1-800-4KOHLER (1-800-456-4537)
Kohler Co. reserves the right to make revisions without notice to product specifications.
For the most current specification sheet, go to www.kohler.com USA or www.kohler.ca Canada.
4-15-2026 6:1 - US-CA

THE BOLD LOOK
OF **KOHLER**

Codes/Standards

ADA, OBC, CSA B651 compliant when installed to the specific requirements of these regulations.



ASME A112.18.1/CSA B125.1
 ADA
 ICC/ANSI A117.1
 CSA B651
 OBC

Technical Information

All product dimensions are nominal.

Spout

Spout Reach: 7-1/2" (191 mm)

Material

- Brass
- KOHLER finishes resist corrosion and tarnishing

Recommended Products/Accessories

- K-23723 Faucet cleaner
- K-14375 24" Double towel bar
- K-14436 24" towel bar
- K-14443 Robe hook
- K-14377 Pivoting toilet paper holder
- K-14435 18" towel bar
- K-14441 Towel ring
- K-14444 Vertical toilet paper holder

Required Products/Accessories

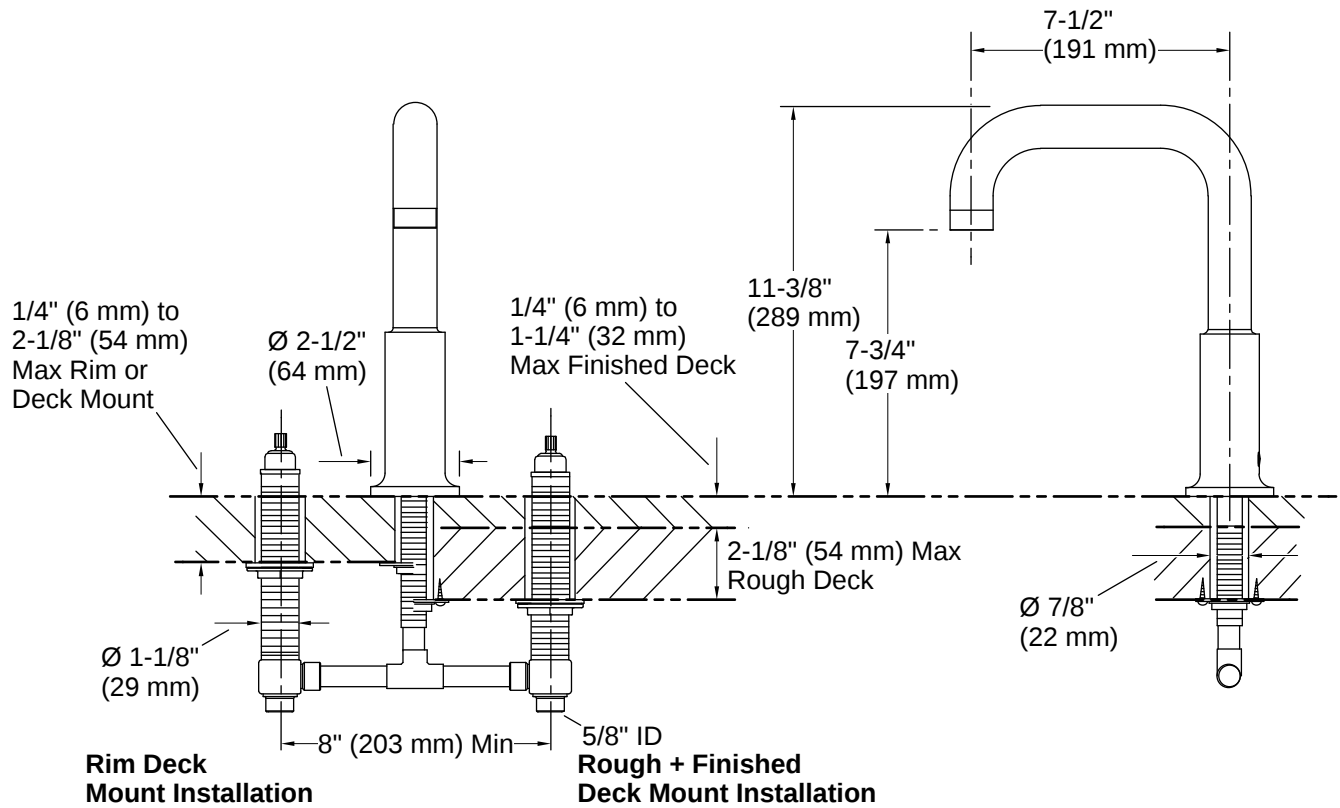
- K-411-K Bath filler spout shank
- or
- K-300-K 1/2" ceramic high-flow valve system
- or
- K-301-K 3/4" ceramic high-flow valve system
- or
- K-300-KR 1/2" ceramic high-flow valve with rigid connections

Warranty

See website for detailed warranty information.

KOHLER® Faucet Lifetime Limited Warranty





Installation

- Deck-mount

Installation Notes

Install this product according to the installation instructions.

ADA, OBC, CSA B651 compliant when installed to the specific requirements of these regulations.

