

Features

- KOHLER cast iron
- Under-mount
- With overflow
- 21" (533 mm) x 16" (406 mm)

UNDER-MOUNT BATHROOM SINK K-2838

ADA

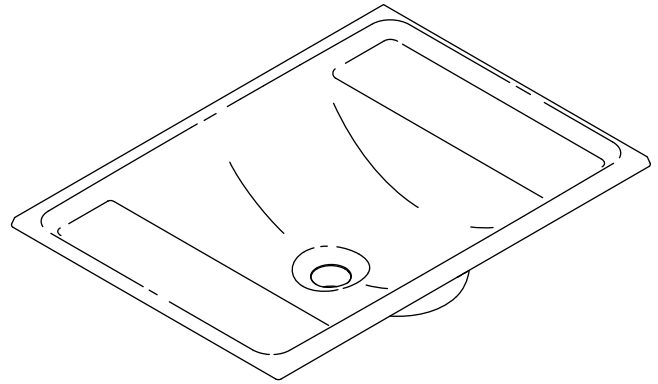
CSA B651

OBC

Codes/Standards Applicable

Specified model meets or exceeds the following:

- ADA
- ICC/ANSI A117.1
- CSA B651
- OBC
- ASME A112.19.1/CSA B45.2



Colors/Finishes

- 0: White
- Other: Refer to Price Book for additional colors/finishes

Accessories

- CP: Polished Chrome
- Other: Refer to Price Book for additional colors/finishes

Specified Model

Model	Description	Colors/Finishes	
K-2838	Cast iron bathroom sink	<input type="checkbox"/> 0	<input type="checkbox"/> Other_____
Recommended Accessories			
K-8998	P-Trap	<input type="checkbox"/> CP	<input type="checkbox"/> Other_____

Product Specification

The under-mount bathroom sink shall be made of cast iron. Bathroom sink shall be 21" (533 mm) in length and 16" (406 mm) in width. Bathroom sink shall be with overflow. Bathroom sink shall be Kohler Model K-2838-_____.

LEDGES®

Technical Information

Fixture*:	
Basin area	12-15/16" (329 mm) x 14-5/8" (371 mm)
Water depth	3-1/4" (83 mm)
Drain hole	Ø 1-11/16" (43 mm)
* Approximate measurements for comparison only.	

Included components:	
Overflow ferrule (1)	84896
Basin clamp assembly	52047
Cut-out template	1070407-7

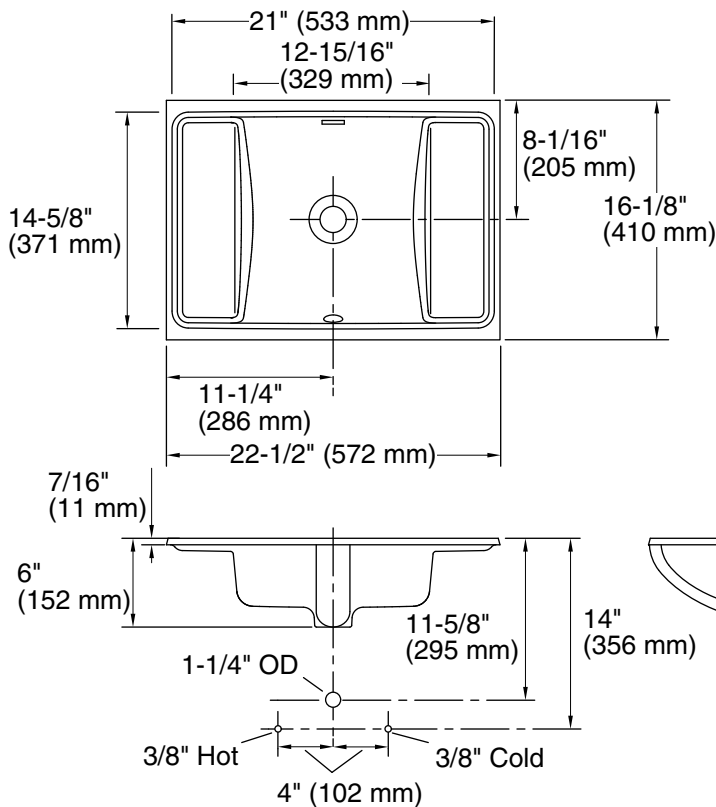
Installation Notes

Install this product according to the installation guide.

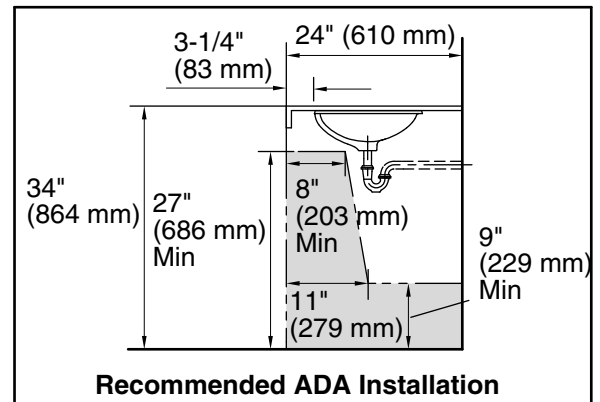
Will comply with **ADA** when installed per Section 606 Lavatories of the Act.

Will comply with **CSA B651** when installed per Clause 4.3.3 of the standard.

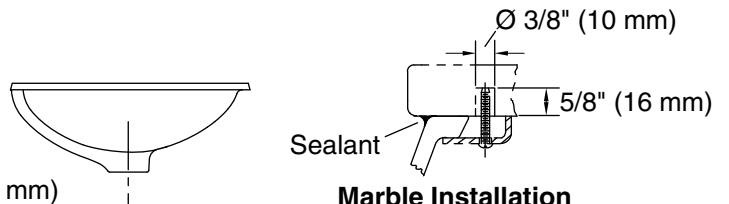
Will comply with **OBC** when installed per Clause 3.8.3.11.



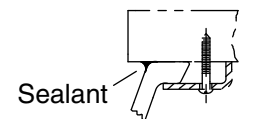
Standard Installation



Recommended ADA Installation



Marble Installation



Wood Installation

Product Diagram