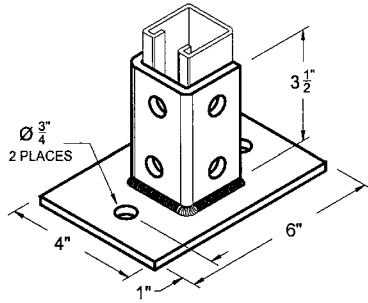


9089PB

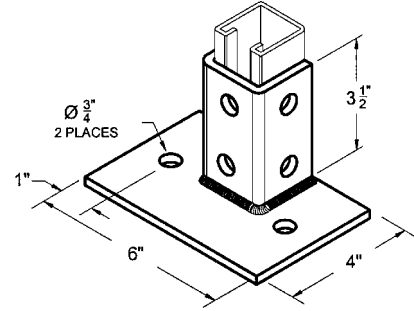
**POST BASE
FOR 1-5/8" X 1-5/8" STRUT
4" X 6" BASE**



Material:	1/4"
Finish:	Electro-Galvanized
Hole Dim:	9/16"
Wt. Each (lbs):	3.12

9090PB

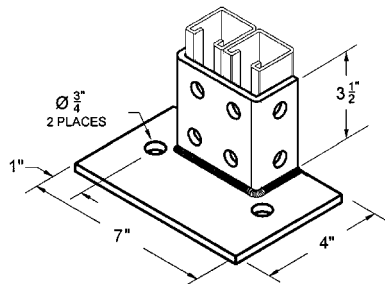
**POST BASE - FLUSH MOUNT
FOR 1-5/8" X 1-5/8" STRUT
4" X 6" BASE**



Material:	1/4"
Finish:	Electro-Galvanized
Hole Dim:	9/16"
Wt. Each (lbs):	3.12

9091PB

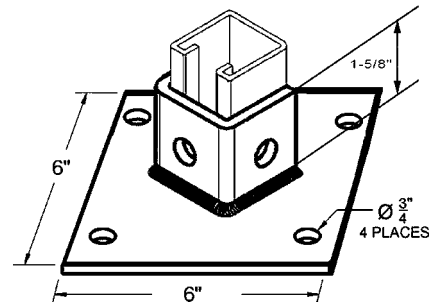
**POST BASE
FOR 1-5/8" X 3-1/4" STRUT
4" X 7" BASE**



Material:	1/4"
Finish:	Electro-Galvanized
Hole Dim:	9/16"
Wt. Each (lbs):	3.20

9092PB

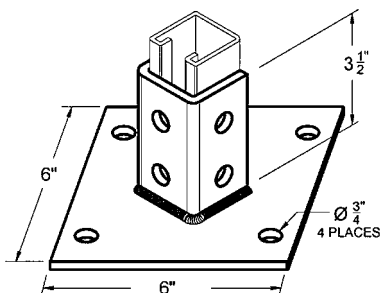
**POST BASE
FOR 1-5/8" X 1-5/8" STRUT
6" BASE**



Material:	1/4"
Finish:	Electro-Galvanized
Hole Dim:	9/16"
Wt. Each (lbs):	3.14

9093PB

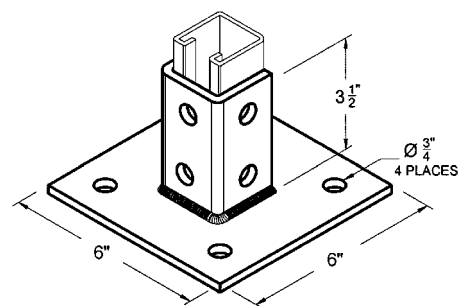
**POST BASE - DIAGONAL
FOR 1-5/8" X 1-5/8" STRUT**



Material:	1/4"
Finish:	Electro-Galvanized
Hole Dim:	9/16"
Wt. Each (lbs):	3.92

9094PB

**POST BASE - SQUARE
FOR 1-5/8" X 1-5/8" STRUT**



Material:	1/4"
Finish:	Electro-Galvanized
Hole Dim:	9/16"
Wt. Each (lbs):	3.92