

### Features

- Includes lever handle, single-function showerhead, shower arm and flange, valve trim, and non-diverter tub spout with NPT or slip-fit connection.
- Single lever handle allows for simultaneous on/off activation and temperature setting.
- Rite-Temp® pressure-balancing technology maintains water temperature within +/-3 degrees Fahrenheit.
- High-temperature limit stop allows you to preset a comfortable maximum temperature to eliminate scalding.
- Integrated push-button diverter.
- 2.0 gal/min (7.6 l/min) maximum flow rate showerhead with Katalyst® spray technology.

### Material

- Premium material construction for durability and reliability.
- KOHLER finishes resist corrosion and tarnishing.

### Installation

- Trim only; requires K-11748-K or K-11748-KS Rite-Temp pressure-balancing valve (sold separately).

### Required Products/Accessories

K-11748-K Pressure-Balancing Valve w/Diverter

or

K-11748-KS Pressure-Balancing Valve w/Diverter

### Adapters, Rough-in and Extension Kits

1226074-CP

### Recommended Products/Accessories

K-23723 Faucet cleaner



### Codes/Standards

ASME A112.18.1/CSA B125.1  
DOE - Energy Policy Act 1992  
EPA WaterSense®

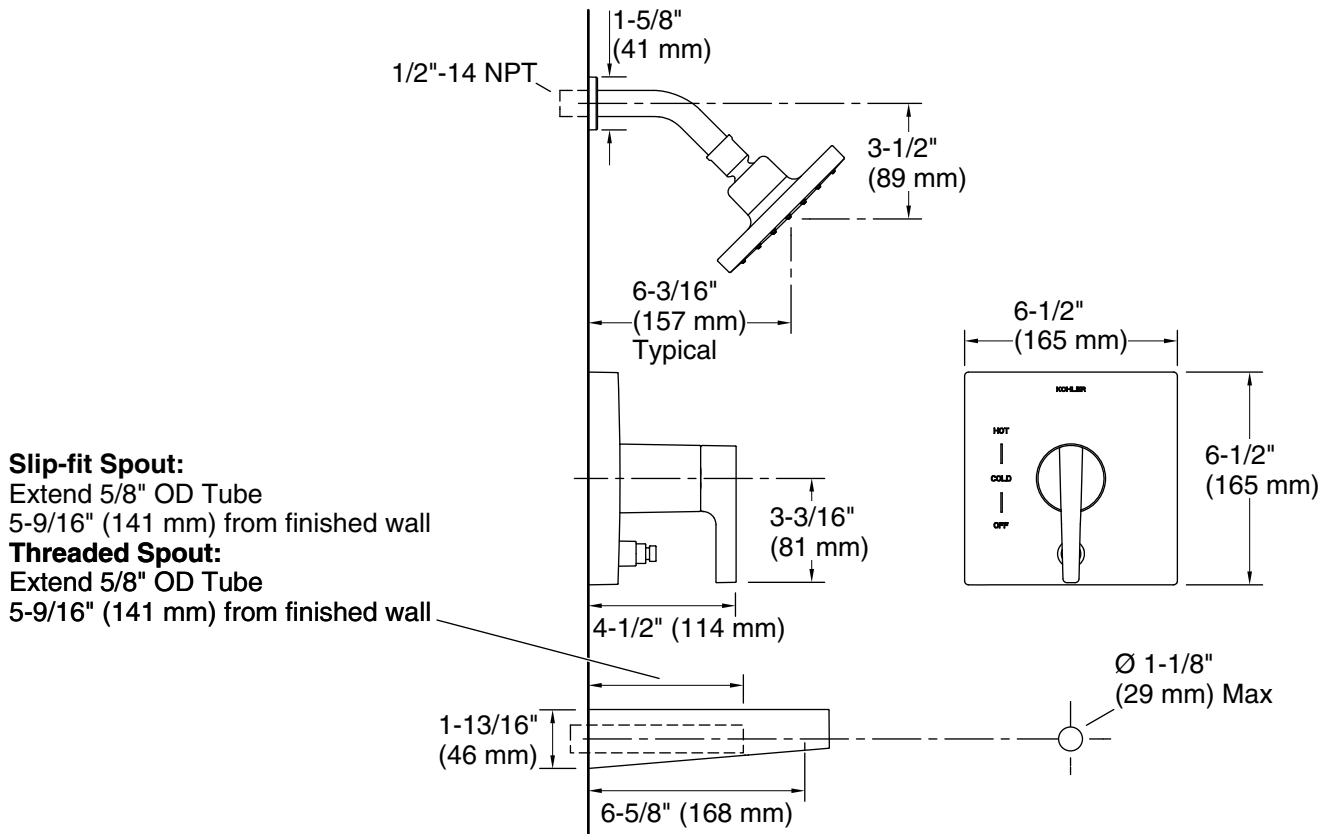
### KOHLER® Faucet Lifetime Limited Warranty

See website for detailed warranty information.

### Available Colors/Finishes

*Color tiles intended for reference only.*

Color	Code	Description
	CP	Polished Chrome



### Technical Information

All product dimensions are nominal.

Valve body: Machined-brass

Drain included: No

### Showerhead/Body Spray:

Rated maximum flow: 2 gal/min (7.6 l/min)

Pressure: 45 psi (3.1 bar)

### Notes

Install this product according to the installation guide.

Install straight pipe or tube drop of 7" (178 mm) to 18" (457 mm) with single elbow between the valve and the wall-mount spout. Elbow must be a 90 degree drop ell that is secured to rigid framing.