

## Malin™ by Studio McGee | K-35020

36" bathroom vanity cabinet with sink and quartz top

### Features

- Designed in collaboration with Studio McGee
- Set includes cabinet, precut quartz vanity top, backsplash, sink, cabinet hardware
- Full-extension 17" (432 mm) drawer with soft-close undermount slides
- Removable dividers in top drawers to personalize drawer organization
- Three-way adjustable soft-close door hinges for easy cabinet access
- 20-7/16" (519 mm) cabinet interior provides ample storage space
- Finish-matched cabinet interior offers generous clearance for plumbing
- Vanity top has 8" (203 mm) widespread faucet holes; requires deck-mount faucet (sold separately)
- Vibrant® Polished Nickel hardware included on White and Draper Oak vanities; Vibrant Brushed Moderne Brass hardware on White Oak vanities. Additional hardware finishes are available (sold separately)
- Bianco Bella (GBB) quartz vanity top adds beauty and long-lasting durability
- Coordinates with Bianco Bella (GBB) quartz side splash (sold separately)



### Available Colors/Finishes

*Color tiles intended for reference only.*

- 0 White
- SWK White Oak
- DAK Draper Oak



## Codes/Standards

ASME A112.19.2/CSA B45.1  
EPA TSCA Title VI/CARB P2

---

## Technical Information

*All product dimensions are nominal.*

Lighting Included:	No
Number of Deck Holes:	3
Center(s):	8" (203 mm)

---

## Material

- Quartz vanity top
  - Vitreous china sink
  - Solid and composite wood
  - Wood is a living material, and its beauty is enhanced by natural variations in grain, color, and pattern. No two pieces of wood are exactly the same, and the color will change with age, temperature, and exposure to light
- 

## Recommended Products/Accessories

K-38554 4" x 21-11/16" quartz side splash

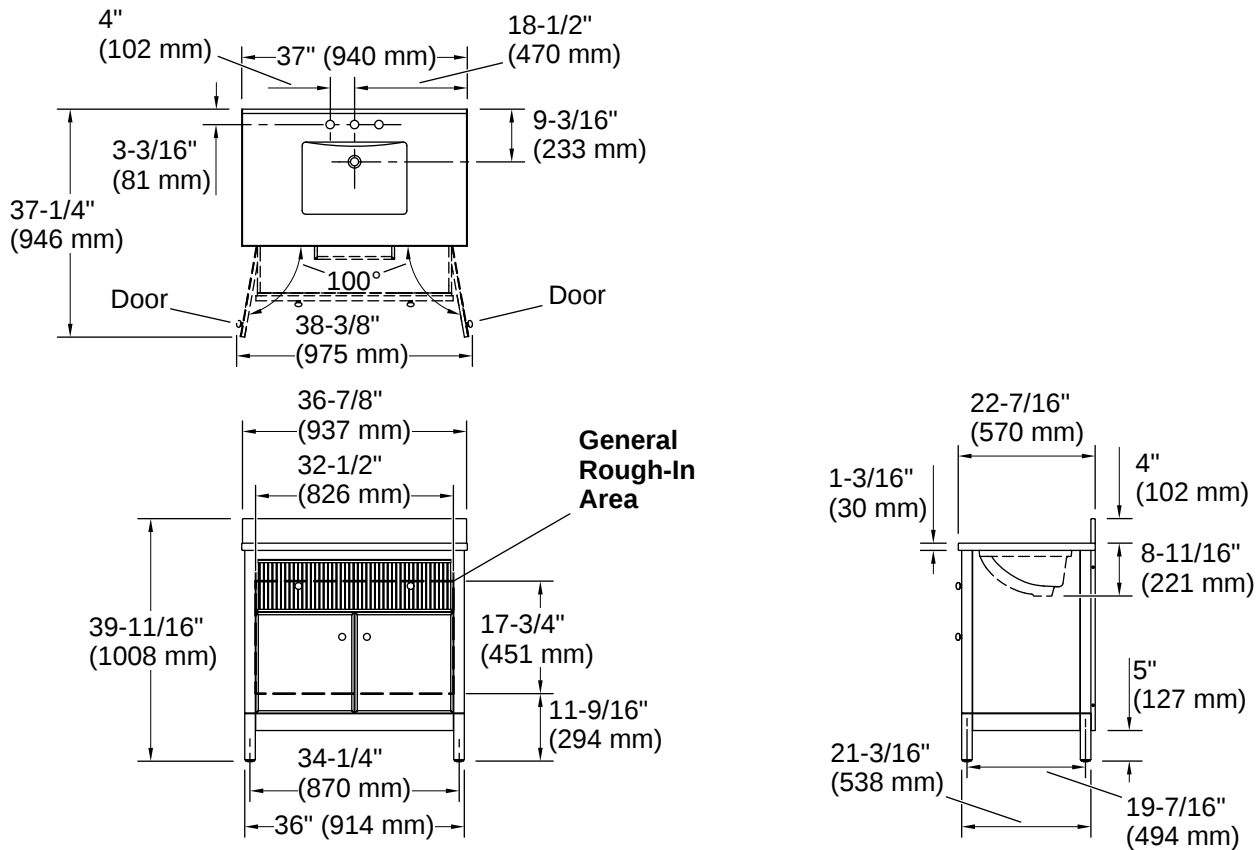
---

## Warranty

*See website for detailed warranty information.*

KOHLER® One-Year Limited Warranty





## Installation

- Easy installation – no special tools required
- Sink preinstalled on vanity top to simplify installation

## Installation Notes

*Install this product according to the installation instructions.*

Select the type of fastener based upon the wall material. Two 250 lb (113.4 kg) minimum load bearing fasteners are recommended with a lag bolt of length to clear obstacles in the wall and 5/16" washers. Calculate the proper lag bolt length by adding the 1-1/2" (38 mm) backing material, plus the wallboard thickness, plus the back rail thickness.

