



Winnow™
24" x 28" wall cabinet
K-33583-ASB

Features

- Open shelf offers easy access to storage, while interior shelf provides ample space for extra toilet paper
- Three-way adjustable slow-close door hinges for easy cabinet access
- Finish-matched 10"-deep cabinet interior
- Customize your storage with optional accessories such as floor liners, drawer organizers, and perfectly sized containers (sold separately)
- Coordinates with K-33584 upgraded hardware finishes (sold separately)

Material

- Solid wood and moisture-resistant MDF
- Painted exterior

Installation

- Easy installation – no special tools required

Required Products/Accessories

K-29747 Protective floor liner for 24" cabinet
K-33584 4" cabinet pull



Codes/Standards

EPA TSCA Title VI/CARB P2



**KOHLER® One-Year Limited
Warranty**

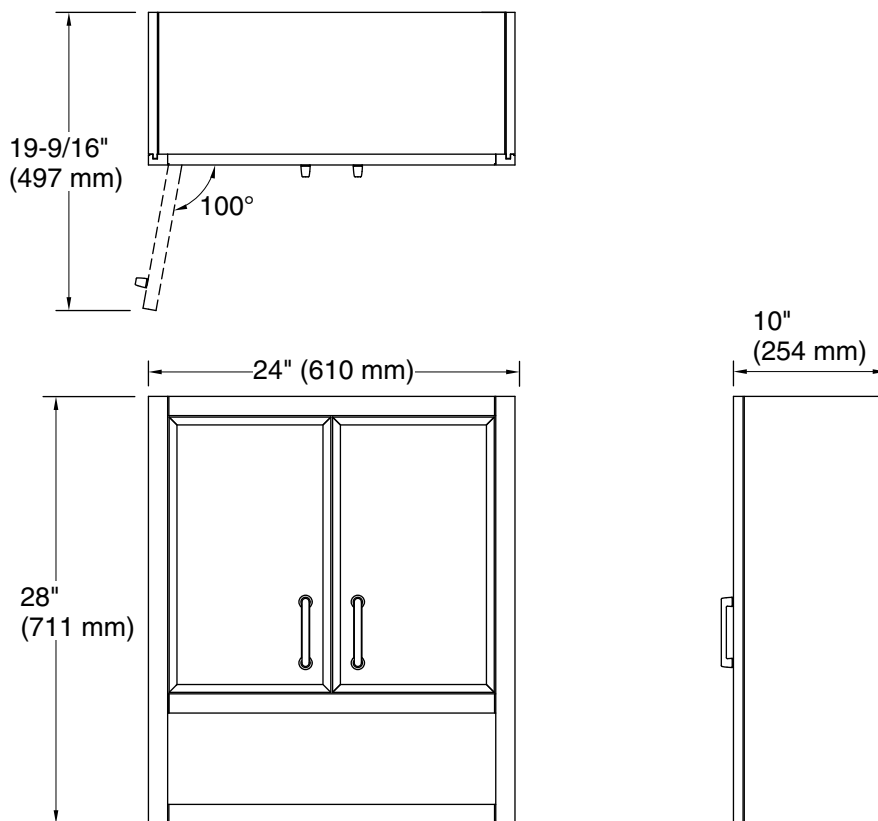
See website for detailed warranty information.

Available Colors/Finishes

Color tiles intended for reference only.

Color Code Description

	0	White
	1WX	Grey Slate



Technical Information

All product dimensions are nominal.

Notes

Install this product according to the installation instructions.