

Features

- Uniquely shaped glass shades intersect with decorative metal rings and rods in equestrian-inspired designs.
- A great piece for almost any space — master bathroom, guest bathroom, hallway, or bedside.
- Requires two bulbs with candelabra (E12) base; G16-1/2 bulb recommended (sold separately).
- Suitable for damp locations, per UL 1598.

Material

- Manufactured with quality materials and complemented with a meticulous finishing process.
- Durable finishes engineered to last and designed to coordinate with KOHLER faucet finishes.

Installation

- Installation hardware included.



Codes/Standards



UL 1598
CSA C22.2 No. 250.0

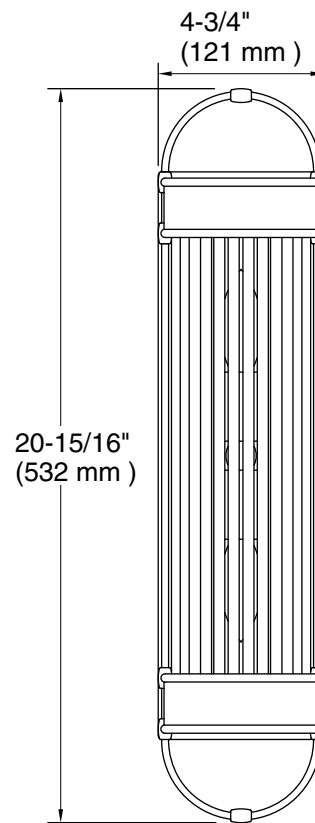
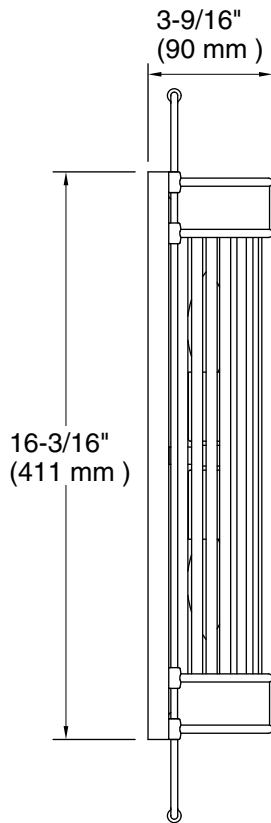
KOHLER® Indoor Lighting Fixtures Limited Warranty

See website for detailed warranty information.

Available Colors/Finishes

Color tiles intended for reference only.

Color	Code	Description
	SNL	Polished Nickel
	CPL	Polished Chrome
	2GL	Brushed Moderne Brass
	BVL	



Required Electrical Service

One circuit required.

120 V, 60 Hz

Technical Information

All product dimensions are nominal.

Material: Steel, Brass, Glass

Number of Lights: 2

Lighting Type: Socket-based

Socket Type: E-12 Candelabra

Number of Shades: 16

Shade Type: Glass - clear