

### Features

- Taller, 76" (1930 mm) door height better showcases the space for taller shower applications
- Center-guided mechanism for smooth, quiet sliding action and easy cleaning
- Contemporary towel bar and knob combination offers storage on the outside of the door without encroaching on the bathing space
- Low bottom track creates easy entry and exit to the bathing space
- CleanCoat®+ glass coating creates a hydrophobic barrier that repels water, soap scum, and residue, saving time and protecting shower doors 10 times longer than original CleanCoat. (Based on 2021 internal wear/abrasion testing using a microfiber cloth.)
- Tempered glass ensures enhanced safety and durability

### Material

- Frameless, heavy 5/16" (8 mm) thick Frosted tempered glass

### Technology

- Frameless design with minimal metal allows for greater ease of cleaning

### Installation

- Out-of-plumb adjustability simplifies installation
- Sliding shower door
- Not for use in hospitality
- For residential use only



### Codes/Standards




ANSI Z97.1  
CAN/CGSB-12.1  
CPSC 16CFR 1201

### KOHLER® Bath and Shower Doors Ten-Year Limited Warranty

See website for detailed warranty information.

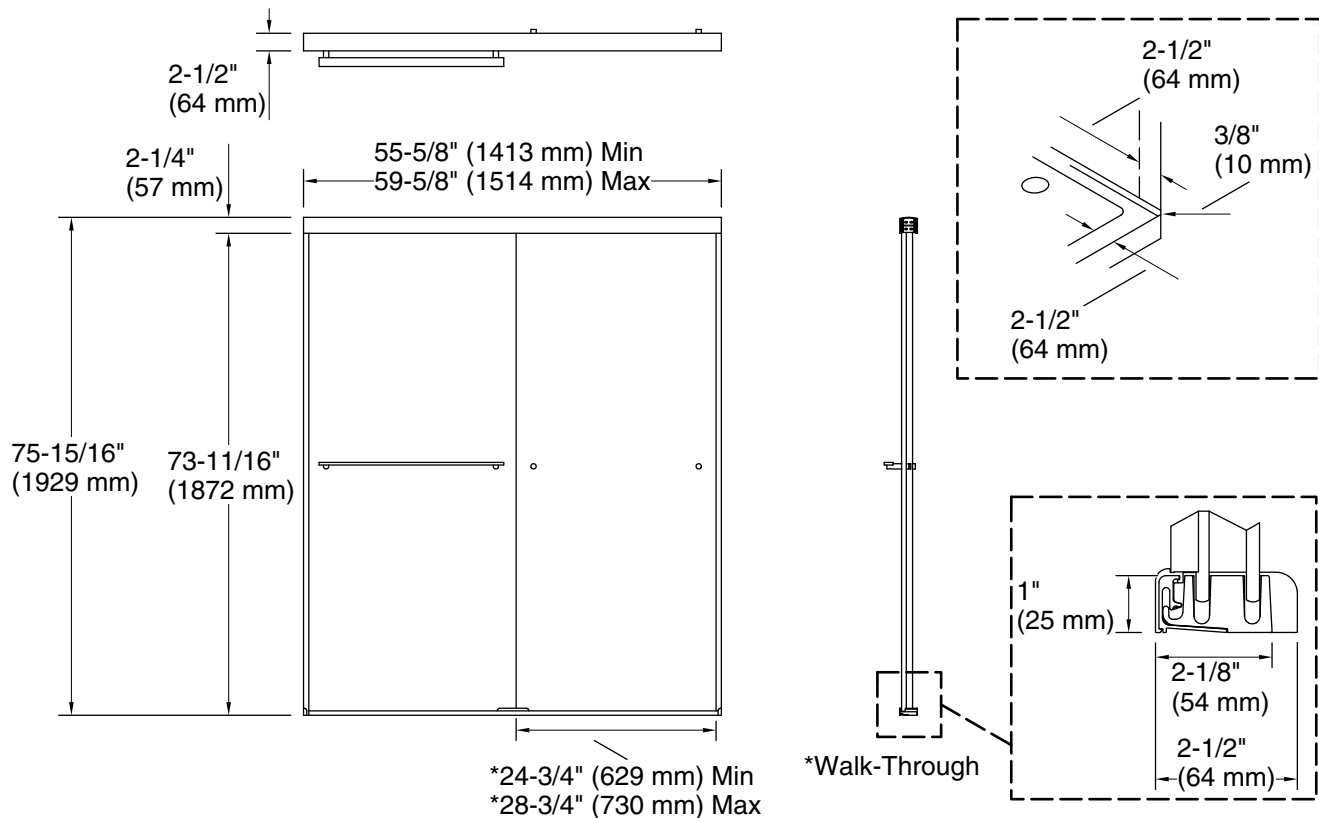
### Available Colors/Finishes

*Color tiles intended for reference only.*

| Color   | Code | Description             |
|---|------|-------------------------|
|  | SHP  | Bright Polished Silver  |
|  | ABZ  | Anodized Dark Bronze    |
|  | BNK  | Anodized Brushed Nickel |

### Available Glass Options

| Code | Description |
|------|-------------|
| D3   | Frosted     |



### Technical Information

All product dimensions are nominal.

|                  |                |
|------------------|----------------|
| Base-To-Wall     | 3/8" (10 mm)   |
| Radius – Max:    |                |
| Shower Ledge Min | 2-1/2" (64 mm) |
| Flat:            |                |
| Shower Wall Min  | 2-1/2" (64 mm) |
| Flat:            |                |

### Notes

Install this product according to the installation guide.

Wall jambs are made of clear plastic and may not cover existing shower door holes.

NOTICE: The vertical opening should be a minimum of 78-1/2" (1994 mm) to allow clearance for installing the top track over the wall jambs.

The vertical opening should be a minimum of 78-1/2" (1994 mm) to allow for installation clearance.